

## BUDI Splice with FIST

### Building Distribution Enclosure for Splice Applications

#### What is BUDI?

BUDI is a product range of compact, wall mountable fiber enclosures for indoor and outdoor use. They are specifically designed for fast deployment and easy customer connection. The FIST management system is a proven CommScope technology for optimal fiber organization and splicing.

Available with splicing and/or patching capabilities, high connector density, small and larger footprints, the BUDI product range offers flexible solutions for a wide range of applications in the access network.

#### Benefits

- Easy to install
- Compact and flexible design
- Extensive product range
- Proven FIST fiber management system

#### Features

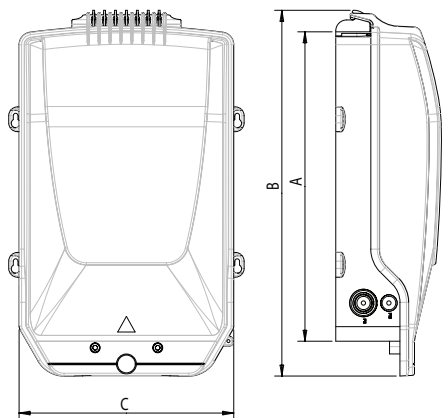
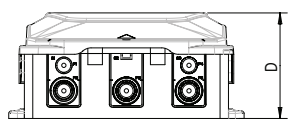
- Designed to operate in category C (controlled), category G (outdoor ground level) and category A (aerial) as characterized by IEC 61753-1
- Fire retardant, LSZH materials
- UV stable material for outdoor above ground use
- Multiple cable ports available
- Bottom cable seal blocks are wraparound
- UMS (Universal Mounting System) available to mount FIST-SOSA2 splice modules
- Allows integration of passive optical components
- Small and large footprints
- Multiple accessories available to terminate and seal different cable types
- Removable enclosure lid
- Quareo Scan Assist compatible

Features	Type of BUDI			
	BUDI-2S	BUDI-1S	BUDI-S	BUDI-M
UMS	6	16	28	36
Splices (single element) (up to 12 splices per tray)	36	96	168	216
Splices (single circuit) (up to 2 splices per tray)	12	32	56	72
Cable loop	No	Yes	Yes	Yes
Lock	Lead wire	Key	Key	Key
FSASA splitter integration	No	Yes	Yes	Yes
Quareo Scan Assist compatibility	Yes	Yes	Yes	Yes

# BUDI Splice with FIST

Building Distribution Enclosure for Splice Applications

## Dimensions



Size	BUDI-2S	BUDI-1S	BUDI-S	BUDI-M
A: Height box (mm)	260	340	425	480
B: Height cover (mm)	285	420	500	550
C: Width (mm)	155	240	295	360
D: Depth (mm)	60	120	145	175

## Ordering Information

Empty box

### BUDI-X-SP-X

Size

1S
S
M

Lock

A	No lock
B	Lock

Please refer to dimensions on previous page.

Single element and single circuit trays should be ordered separately.

Pre-configured box

### BUDI-2S-SP-XX X X

Number of splices

12	with single circuit/single element
24	with single element only
36	with single element only

Splice holder

S	SMOUV
A	ANT

Type of tray

E	single element (up to 12 splices per tray)
C	single circuit (up to 2 splices per tray)

# COMMSCOPE®

[www.commscope.com](http://www.commscope.com)

Visit our website or contact your local CommScope representative for more information.

© 2015 CommScope, Inc. All rights reserved.

BUDI, SMOUV and all trademarks identified by ® or ™ are registered trademarks or trademarks, respectively, of CommScope, Inc.

This document is for planning purposes only and is not intended to modify or supplement any specifications or warranties relating to CommScope products or services.

PS-321404-1-EU (07/16) revised from TC-1160 and PS-321552-EU