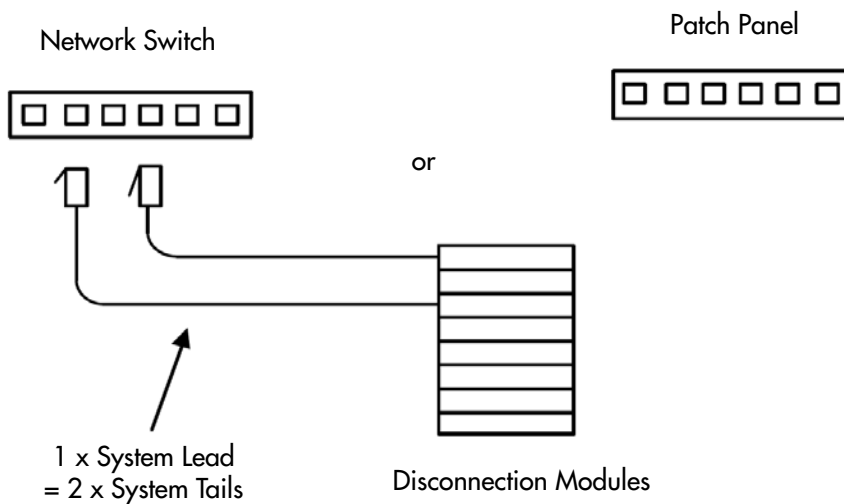


Category 6_A HighBand® RJ45 System Leads

Manufactured using Category 6_A cable, these system leads come supplied with an RJ45 connector on each end. The assembly is cut into two to make two system tails. The RJ45 plug is inserted into patch panels or network switches and the other end is directly terminated (using the KRONE® termination tool) onto a module's insulation displacement contacts.

Features

- Factory terminated RJ45 plugs both ends.
- Tested to meet local requirements.
- Able to be cut to required length on site.



Category 6_A HighBand® RJ45 System Leads

Specifications

Operating Temperature Range:	-20° to 75°C
RJ45 Plug Interface According to:	IEC 60603-7
Transmission Performance and Reliability:	Transmission performance to TIA-568.B.2-10 Component compliance as well as Gigabit ISO/IEC 11801 ed.2.1 extrapolated component
Numbers of Plug Insertion Cycles:	≥750 (IEC/EN 60603-7)
Conductor:	24 AWG solid copper
Jacket:	Lead free PVC
Bend Radius:	4 X outer diameter
Nominal Outer Diameter:	6.4mm ± .13mm
Safety Rating:	UL 1863
Flammability Rating:	UL 94 V-0
Insulation resistance:	100MΩ at 500VDC

Ordering Information

Description	Quantity	Colour	Part Number
Category 6 _A HighBand RJ45 System Lead, 10m	Bag of 1	Blue	6451 2 699-10
Category 6 _A HighBand RJ45 System Lead, 20m	Bag of 1	Blue	6451 2 699-20
Category 6 _A HighBand RJ45 System Lead, 30m	Bag of 1	Blue	6451 2 699-30
Category 6 _A HighBand RJ45 System Lead, 40m	Bag of 1	Blue	6451 2 699-40
Category 6 _A HighBand RJ45 System Lead, 50m	Bag of 1	Blue	6451 2 699-50



www.commscope.com

Visit our website or contact your local CommScope representative for more information.

© 2015 CommScope, Inc. All rights reserved.

All trademarks identified by ® or ™ are registered trademarks or trademarks, respectively, of CommScope, Inc. This document is for planning purposes only and is not intended to modify or supplement any specifications or warranties relating to CommScope products or services.

PS-321710.1-AE (11/15) (Revised from 6451 2 699-XX Issue 4)