

# ADCB-HFHM



DC Block, 555–2700 MHz, with interface types 4.3-10 Female and 4.3-10 Male

## Product Classification

**Product Type** dc Block

## General Specifications

**Inner Contact Plating** Silver

**Interface** 4.3-10 Female

**Interface 2** 4.3-10 Male

**Outer Contact Plating** Trimetal

**Pressurizable** No

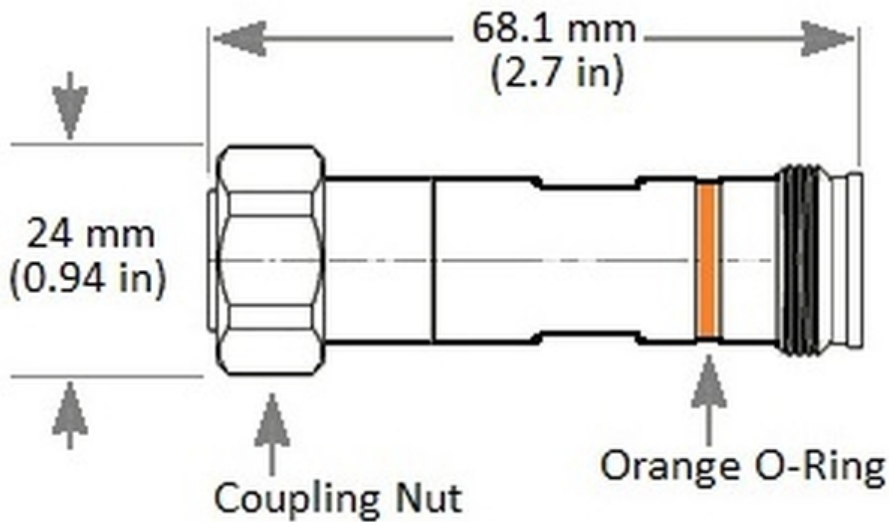
## Dimensions

**Height** 24 mm | 0.945 in

**Width** 24 mm | 0.945 in

**Length** 68.1 mm | 2.681 in

## Outline Drawing



# ADCB-HFHM

---

## Electrical Specifications

<b>3rd Order IMD</b>	-118 dBm
<b>3rd Order IMD Test Method</b>	Two +43 dBm carriers
<b>Insertion Loss, typical</b>	0.1 dB
<b>Average Power</b>	200 W
<b>Connector Impedance</b>	50 ohm
<b>dc Test Voltage</b>	48 V
<b>Operating Frequency Band</b>	555 – 2700 MHz
<b>Peak Power, maximum</b>	2 kW

## VSWR/Return Loss

Frequency Band	VSWR	Return Loss (dB)
555–2700 MHz	1.13	24.29

## Mechanical Specifications

<b>Coupling Nut Proof Torque</b>	5 N-m   44.254 in lb
<b>Coupling Nut Retention Force Method</b>	IEC 61169-154
<b>Interface Durability</b>	100 cycles
<b>Interface Durability Method</b>	IEC 61169-154
<b>Mechanical Shock Test Method</b>	MIL-STD-202F, Method 213B, Test Condition C

## Environmental Specifications

<b>Operating Temperature</b>	-40 °C to +65 °C (-40 °F to +149 °F)
<b>Storage Temperature</b>	-40 °C to +85 °C (-40 °F to +185 °F)
<b>Attenuation, Ambient Temperature</b>	20 °C   68 °F
<b>Average Power, Ambient Temperature</b>	40 °C   104 °F
<b>Corrosion Test Method</b>	MIL-STD-1344A, Method 1001.1, Test Condition A
<b>Immersion Depth</b>	1 m
<b>Immersion Test Mating</b>	Mated
<b>Immersion Test Method</b>	IEC 60529:2001, IP68
<b>Moisture Resistance Test Method</b>	MIL-STD-202F, Method 106F
<b>Thermal Shock Test Method</b>	MIL-STD-202F, Method 107G
<b>Vibration Test Method</b>	MIL-STD-202F, Method 204D, Test Condition B

# ADCB-HFHM

---

<b>Water Jetting Test Mating</b>	Mated
<b>Water Jetting Test Method</b>	IEC 60529:2001, IP66

## Packaging and Weights

<b>Weight, net</b>	0.1 kg   0.22 lb
--------------------	------------------

## Regulatory Compliance/Certifications

<b>Agency</b>	<b>Classification</b>
CHINA-ROHS	Below maximum concentration value
REACH-SVHC	Compliant as per SVHC revision on <a href="http://www.commscope.com/ProductCompliance">www.commscope.com/ProductCompliance</a>
ROHS	Compliant
UK-ROHS	Compliant



## \* Footnotes

<b>Insertion Loss, typical</b>	0.05√freq (GHz) (not applicable for elliptical waveguide)
<b>Immersion Depth</b>	Immersion at specified depth for 24 hours