

# EH0192-100 | C/A 2X24P RJ 100PIN 100M



48-pair Cable Assembly, 100-pin male connector to stub, for Nokia 7330 DSLAM, gray, 100 meters

- Designed to meet the requirements of VDSL transmission for use in FTTB/ FTTN deployments
- Small cable diameter allows usage in environments where space constraints and cable routing prove most challenging
- Single-ended cable assembly versions feature a copper wire diameter that is ideal to be terminated with LSA-PLUS modules

## Product Classification

<b>Regional Availability</b>	Australia/New Zealand
<b>Product Type</b>	Copper trunk cable assembly

## General Specifications

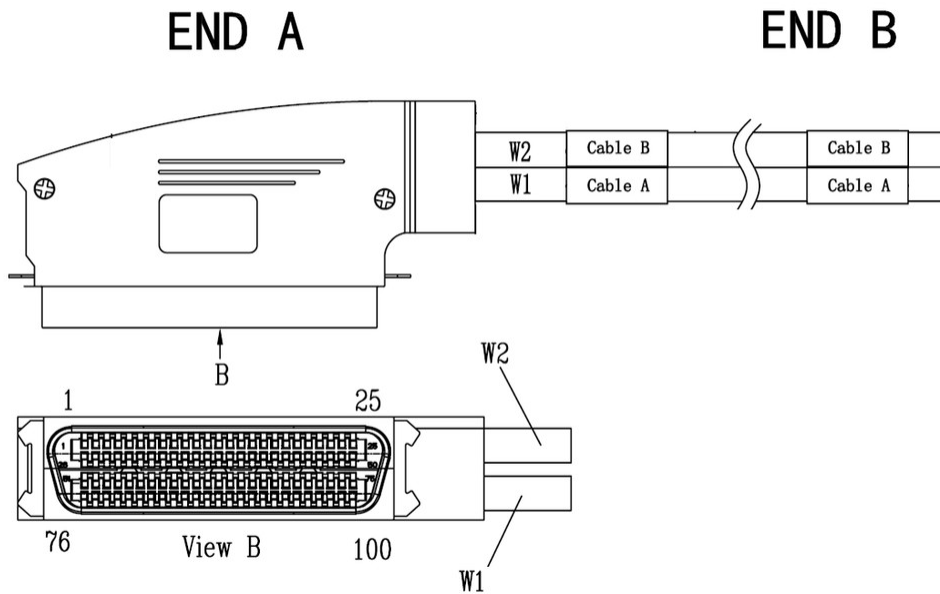
<b>Conductor Type</b>	Solid
<b>Construction Type</b>	Stranded
<b>Interface, Connector A</b>	100-pin male plug
<b>Interface Feature, connector A</b>	Backshell, 90°
<b>Interface, Connector B</b>	Unterminated
<b>Jacket Color</b>	Gray
<b>Pairs, quantity</b>	48
<b>Total Ports, quantity</b>	8

## Dimensions

<b>Cord Length</b>	100 m   328.084 ft
<b>Diameter Over Jacket</b>	9.2 mm   0.362 in
<b>Compatible Conductor Gauge, solid</b>	26 AWG

## Wiring Diagram

# EH0192-100 | C/A 2X24P RJ 100PIN 100M



## Electrical Specifications

**Safety Voltage Rating** 300 V

## Material Specifications

**Conductor Material** Bare copper

## Environmental Specifications

**Operating Temperature** -20 °C to +70 °C (-4 °F to +158 °F)

**Storage Temperature** -0 °C to +50 °C (32 °F to +122 °F)

**Environmental Space** Low Smoke Zero Halogen (LSZH)

**Flammability Rating** IEC 60332-1-2

## Packaging and Weights

**Packaging quantity** 1