

243950



Mounting/Grounding Bracket

Product Classification

- Product Type** Surge arrestor accessory
- Ordering Note** CommScope® non-standard product

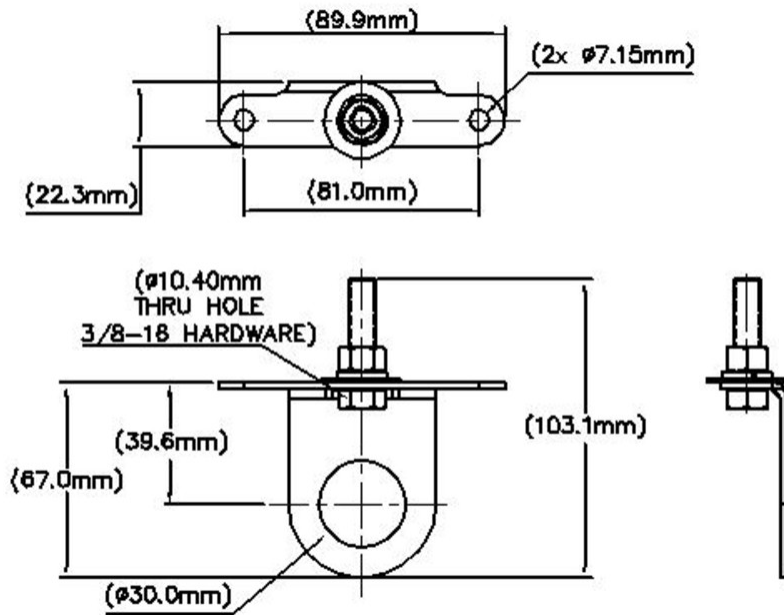
General Specifications

- Interface** 7-16 DIN Female Bulkhead

Dimensions

- Height** 67 mm | 2.638 in
- Width** 22.3 mm | 0.878 in
- Length** 89.9 mm | 3.539 in

Outline Drawing



Packaging and Weights

Packaging quantity 1
Weight, net 120 g | 0.265 lb

Regulatory Compliance/Certifications

Agency	Classification
CHINA-ROHS	Below maximum concentration value
ISO 9001:2015	Designed, manufactured and/or distributed under this quality management system
REACH-SVHC	Compliant as per SVHC revision on www.commscope.com/ProductCompliance
ROHS	Compliant
UK-ROHS	Compliant

