

CELLMAX-D-43I



Cell-Max™ Directional In-building Antenna, 698–960 MHz, 1710–2700 MHz, 4.3-10

Product Classification

Product Type	In-building antenna
Product Brand	Cell-Max™

General Specifications

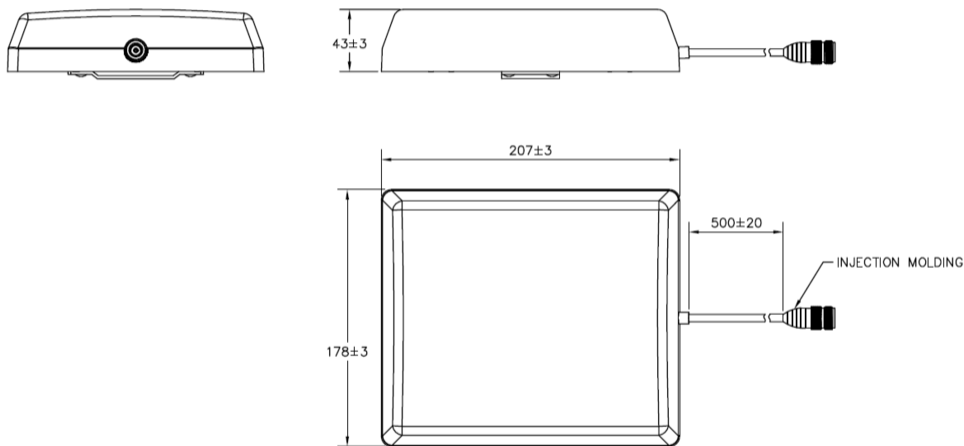
Antenna Type	Directional
Application	Indoor
Color	White
Mounting	4-hole wall mounting plate and hardware (included)
Pigtail Cable	670-141SXE, plenum rated
RF Connector Interface	4.3-10 Female

Dimensions

Width	180 mm 7.087 in
Length	210 mm 8.268 in
Pigtail Length	500 mm 19.685 in
Depth	44 mm 1.732 in

CELLMAX-D-43I

Outline Drawing



Electrical Specifications

Electrical Note	PIM specifications are less than or equal to the stated value
Impedance	50 ohm
Operating Frequency Band	1710 – 2700 MHz 698 – 960 MHz
Polarization	Vertical

Electrical Specifications

Frequency Band, MHz	698–800	800–960	1710–2170	2200–2700
Gain, dBi	5.1	5.8	8.7	6.9
Beamwidth, Horizontal, degrees	128	94	60	54

CELLMAX-D-43I

Beamwidth, Vertical, degrees	85	82	57	38
VSWR Return loss, dB	1.7 11.7	1.5 14.0	1.5 14.0	1.5 14.0
PIM, 3rd Order, 2 x 20 W, dBc	-140	-140	-140	-140
Input Power per Port, maximum, watts	50	50	50	50

Material Specifications

Radome Material ABS

Environmental Specifications

Operating Temperature -40 °C to +60 °C (-40 °F to +140 °F)

Relative Humidity Up to 100%

Packaging and Weights

Width, packed 190 mm | 7.48 in

Depth, packed 55 mm | 2.165 in

Length, packed 250 mm | 9.843 in

Packaging quantity 1

Weight, gross 0.8 kg | 1.764 lb

Weight, net 0.6 kg | 1.323 lb

Regulatory Compliance/Certifications

Agency

ISO 9001:2015

Classification

Designed, manufactured and/or distributed under this quality management system

