

CELLMAX-O-43I



Cell-Max™ Omni In-building Antenna, 698–960 MHz and 1710–2700 MHz, 4.3-10

OBSOLETE

This product was discontinued on: July 31, 2021

Replaced By:

CELLMAX-O-43-WI Cell-Max™ Omni In-building Antenna, 698–960 MHz, 1695–2700 MHz and 3100-4200MHz

Product Classification

Product Type In-building antenna
Product Brand Cell-Max™

General Specifications

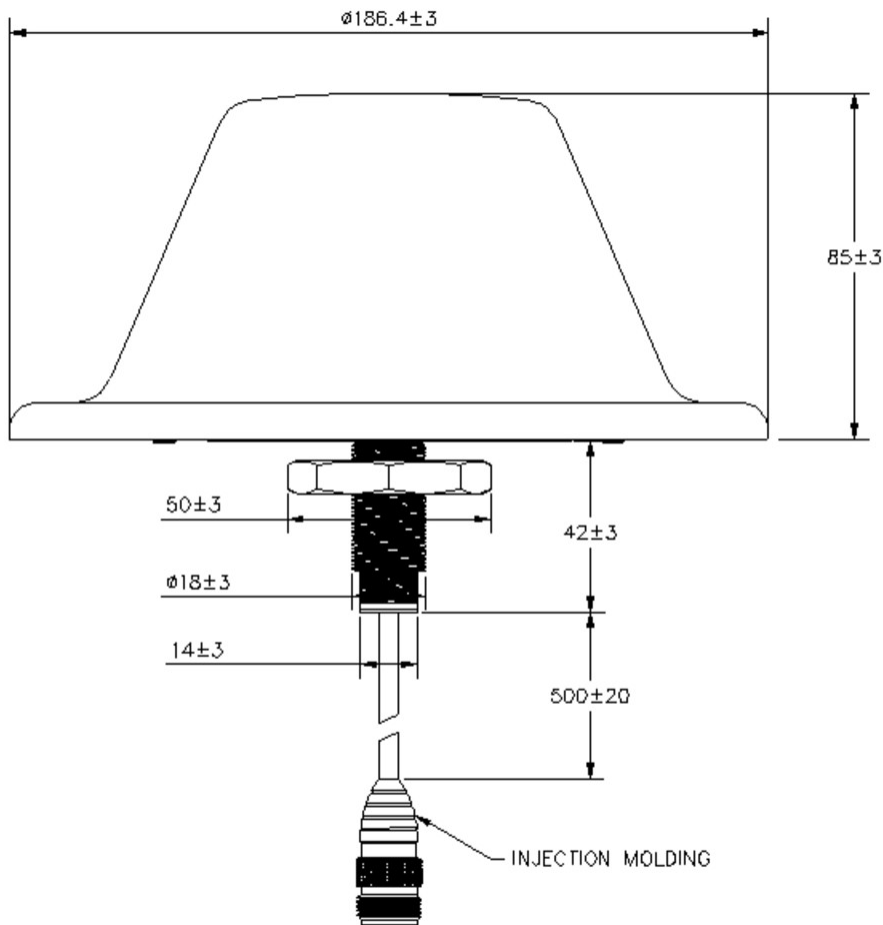
Application Indoor
Antenna Type Omni
Antenna Array Characteristic SISO
Polarization Vertical
Color White (RAL 9016)
Mounting Thru-hole ceiling mount (optional)
Number of Ports 1
Pigtail Cable 670-141SXE, plenum rated
Radome Material ABS
RF Connector Interface 4.3-10 Female

Dimensions

Height 85 mm | 3.346 in
Pigtail Length 500 mm | 19.685 in
Outer Diameter 186 mm | 7.323 in

CELLMAX-0-431

Outline Drawing



Electrical Specifications

Impedance	50 ohm
Operating Frequency Band	1710 – 2700 MHz 698 – 960 MHz
Electrical Note	PIM specifications are less than or equal to the stated value

Electrical Specifications

Frequency Band, MHz	698–800	800–960	1710–2700
Gain, dBi	2	2	5
Beamwidth, Horizontal, degrees	360	360	360
VSWR Return loss, dB	1.7 11.7	1.5 14.0	1.5 14.0

CELLMAX-0-431

PIM, 3rd Order, 2 x 20 W, dBc	-140	-140	-140
Input Power per Port, maximum, watts	50	50	50

Environmental Specifications

Operating Temperature	-40 °C to +60 °C (-40 °F to +140 °F)
Relative Humidity	Up to 100%

Packaging and Weights

Height, packed	135 mm 5.315 in
Width, packed	195 mm 7.677 in
Length, packed	195 mm 7.677 in
Packaging quantity	1
Weight, gross	0.4 kg 0.882 lb
Weight, net	0.3 kg 0.661 lb

Regulatory Compliance/Certifications

Agency	Classification
CHINA-ROHS	Below maximum concentration value
ISO 9001:2015	Designed, manufactured and/or distributed under this quality management system
ROHS	Compliant
UK-ROHS	Compliant

