

# CMAX-OMF1-CPUSEV53

---



Cell-Max™ Low PIM Omni MIMO In-building Antenna, 698–960 MHz and 1710–2700 MHz

## OBSOLETE

This product was discontinued on: July 30, 2022

### Replaced By:

CMAX-OMF8-43-UWI53 Cell-Max™ Low PIM Omni MIMO In-building Antenna, 617-6000 MHz

## Product Classification

**Product Type** In-building antenna  
**Product Brand** Cell-Max™

## General Specifications

**Application** Indoor  
**Antenna Type** Omni  
**Antenna Array Characteristic** MIMO 2x2  
**Color** White (RAL 9016)  
**Mounting** Thru-hole ceiling mount (optional)  
**Mounting Note** For antenna installation on metal ceilings, please contact your local CommScope representative  
**Number of Ports** 2  
**Pigtail Cable** 670-141SXE, plenum rated  
**Radome Material** ABS  
**RF Connector Interface** N Female

## Dimensions

**Height** 65 mm | 2.559 in  
**Pigtail Length** 500 mm | 19.685 in

# C MAX-OMF1-CPUSEV53

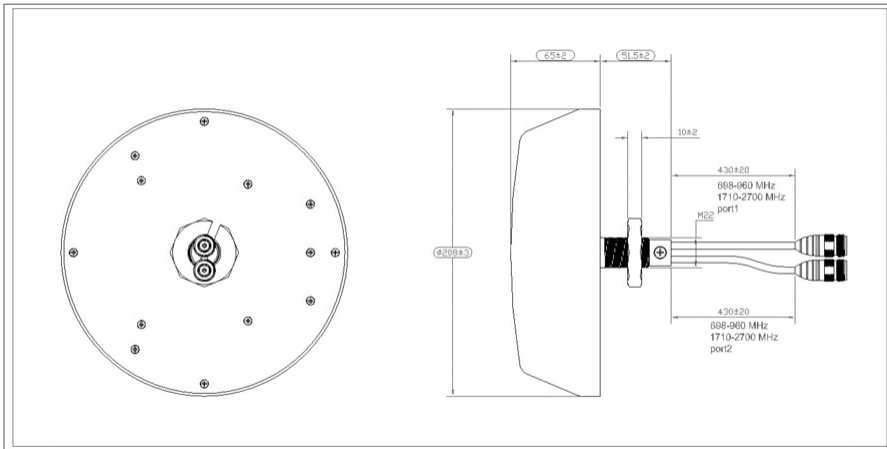
---

**Outer Diameter**

208 mm | 8.189 in

# CMAX-OMF1-CPUSEV53

## Outline Drawing



## Electrical Specifications

<b>Electrical Note</b>	Values typical, unless otherwise stated
<b>Impedance</b>	50 ohm
<b>Operating Frequency Band</b>	1710 – 2700 MHz   698 – 960 MHz

## Electrical Specifications

Frequency Band, MHz	698–800	800–960	1710–2200	2200–2700
<b>Gain, dBi</b>	4	4.3	5.3	5.5
<b>Beamwidth, Horizontal, degrees</b>	360	360	360	360
<b>Isolation, Cross Polarization, dB</b>	18	18	18	18
<b>VSWR   Return loss, dB</b>	1.5   14.0	1.5   14.0	1.5   14.0	1.5   14.0
<b>PIM, 3rd Order, 2 x 20 W, dBc</b>	-153	-153	-153	-153
<b>Input Power per Port, maximum, watts</b>	50	50	50	50

## Environmental Specifications

<b>Operating Temperature</b>	-40 °C to +60 °C (-40 °F to +140 °F)
<b>Relative Humidity</b>	Up to 100%

## Packaging and Weights

<b>Height, packed</b>	200 mm   7.874 in
<b>Width, packed</b>	210 mm   8.268 in

# CMAX-OMF1-CPUSEV53

---

<b>Length, packed</b>	165 mm   6.496 in
<b>Weight, gross</b>	0.6 kg   1.323 lb
<b>Weight, net</b>	0.5 kg   1.102 lb

## Regulatory Compliance/Certifications

<b>Agency</b>	<b>Classification</b>
CHINA-ROHS	Below maximum concentration value
ISO 9001:2015	Designed, manufactured and/or distributed under this quality management system
REACH-SVHC	Compliant as per SVHC revision on <a href="http://www.commscope.com/ProductCompliance">www.commscope.com/ProductCompliance</a>
ROHS	Compliant

