

# CMAX-OMH-43-153

---



Cell-Max™ Low PIM Omni MIMO In-building Antenna, V-POL PORT 698-960 / 1710-2700 MHz and H-POL PORT 1710-2700 MHz (LB-SISO), (HB-MIMO), 4.3-10

**OBSOLETE**

This product was discontinued on: July 31, 2021

## Product Classification

**Product Type** In-building antenna  
**Product Brand** Cell-Max™

## General Specifications

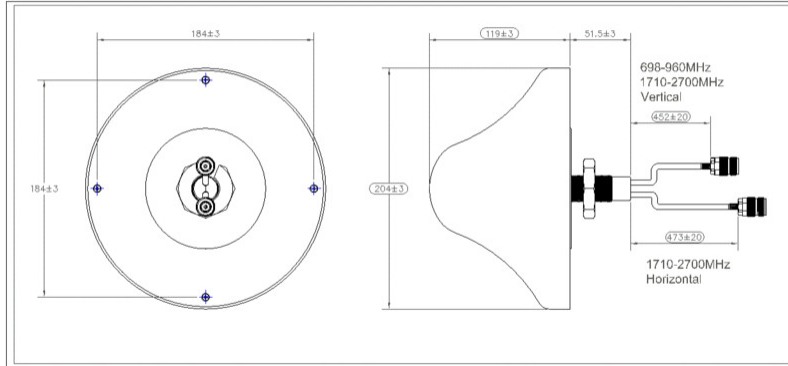
**Application** Indoor  
**Antenna Type** Omni  
**Antenna Array Characteristic** MIMO 2x2  
**Color** White (RAL 9016)  
**Mounting** Thru-hole ceiling mount (optional)  
**Number of Ports** 2  
**Pigtail Cable** 670-141SXE, plenum rated  
**Radome Material** ABS  
**RF Connector Interface** 4.3-10 Female

## Dimensions

**Height** 119 mm | 4.685 in  
**Pigtail Length** 500 mm | 19.685 in  
**Outer Diameter** 204 mm | 8.031 in

# CMAX-OMH-43-153

## Outline Drawing



## Electrical Specifications

<b>Impedance</b>	50 ohm
<b>Operating Frequency Band</b>	1710 – 2700 MHz   698 – 960 MHz
<b>Polarization at Frequency Band</b>	Horizontal/Vertical @ 1710–2700 MHz   Vertical @ 698–800 MHz   Vertical @ 800–960 MHz

## Electrical Specifications

Frequency Band, MHz	698–800	800–960	1710–2200	2200–2700
<b>Gain, dBi</b>	1.5	1.5	3.5	4.3
<b>Beamwidth, Horizontal, degrees</b>	360	360	360	360
<b>Beamwidth, Vertical, degrees</b>	60	60	42	60
<b>Isolation, Cross Polarization, dB</b>			25	25
<b>VSWR   Return loss, dB</b>	1.8   10.9	1.5   14.0	1.8   10.9	1.8   10.9
<b>PIM, 3rd Order, 2 x 20 W, dBc</b>	-153	-153	-153	-153
<b>Input Power per Port, maximum, watts</b>	50	50	50	50

## Environmental Specifications

<b>Operating Temperature</b>	-40 °C to +60 °C (-40 °F to +140 °F)
<b>Relative Humidity</b>	Up to 100%

## Packaging and Weights

<b>Height, packed</b>	185 mm   7.283 in
-----------------------	-------------------

# CMAX-OMH-43-153

---

<b>Width, packed</b>	180 mm   7.087 in
<b>Length, packed</b>	180 mm   7.087 in
<b>Weight, gross</b>	0.6 kg   1.323 lb
<b>Weight, net</b>	0.5 kg   1.102 lb

## Regulatory Compliance/Certifications

<b>Agency</b>	<b>Classification</b>
CHINA-ROHS	Below maximum concentration value
ISO 9001:2015	Designed, manufactured and/or distributed under this quality management system
REACH-SVHC	Compliant as per SVHC revision on <a href="http://www.commscope.com/ProductCompliance">www.commscope.com/ProductCompliance</a>
ROHS	Compliant
UK-ROHS	Compliant

