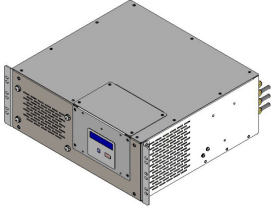


# MT500D



DryLine® Dehydrator, Low-pressure membrane, 19 in rack mountable, Wall mountable, Cut-in at 2.0 psi, Cut-out at 5.0 psi, with discrete and summary alarms, 115/230 Vac, 50/60 Hz

- See related products for dc options, sold separately

## Product Classification

<b>Product Type</b>	Dehydrator
<b>Product Brand</b>	DryLine®

## General Specifications

<b>Alarm Type</b>	Discrete   Summary
<b>Circuit Breaker Requirement</b>	Electrical connections require separate circuits for dehydrator installation
<b>Cut In Pressure</b>	14 kPa   2.031 psig
<b>Cut In Pressure Default</b>	14 kPa   2.031 psig
<b>Cut In/Out Pressure Type</b>	Factory set
<b>Cut Out Pressure</b>	34.5 kPa   5.004 psig
<b>Cut Out Pressure Default</b>	34.5 kPa   5.004 psig
<b>Dehydrator Type</b>	Automatic Membrane
<b>Dew Point</b>	Better than -45 °C (-50 °F) at 95% RH at +40 °C (+104 °F)
<b>Excess-Run Alarm</b>	10 minutes, factory set
<b>Flow Rate, nominal</b>	14.2 SLPM
<b>High-Humidity Alarm</b>	7.5% RH, factory set
<b>High-Pressure Alarm</b>	Factory set (only on summary contacts)
<b>Low-Pressure Alarm</b>	68 mbar   7 kPa   1 psig
<b>Mounting</b>	Bench   Floor   Rack   Wall
<b>Port Count</b>	4
<b>Port Type</b>	3/8 in PE tube
<b>Power Cord</b>	Europe power cord with stripped leads   USA power cord
<b>Power-Fail Alarm</b>	Loss of input power
<b>Rack Type</b>	EIA 19 in   ETSI N3 (optional)
<b>Rack Units</b>	4

# MT500D

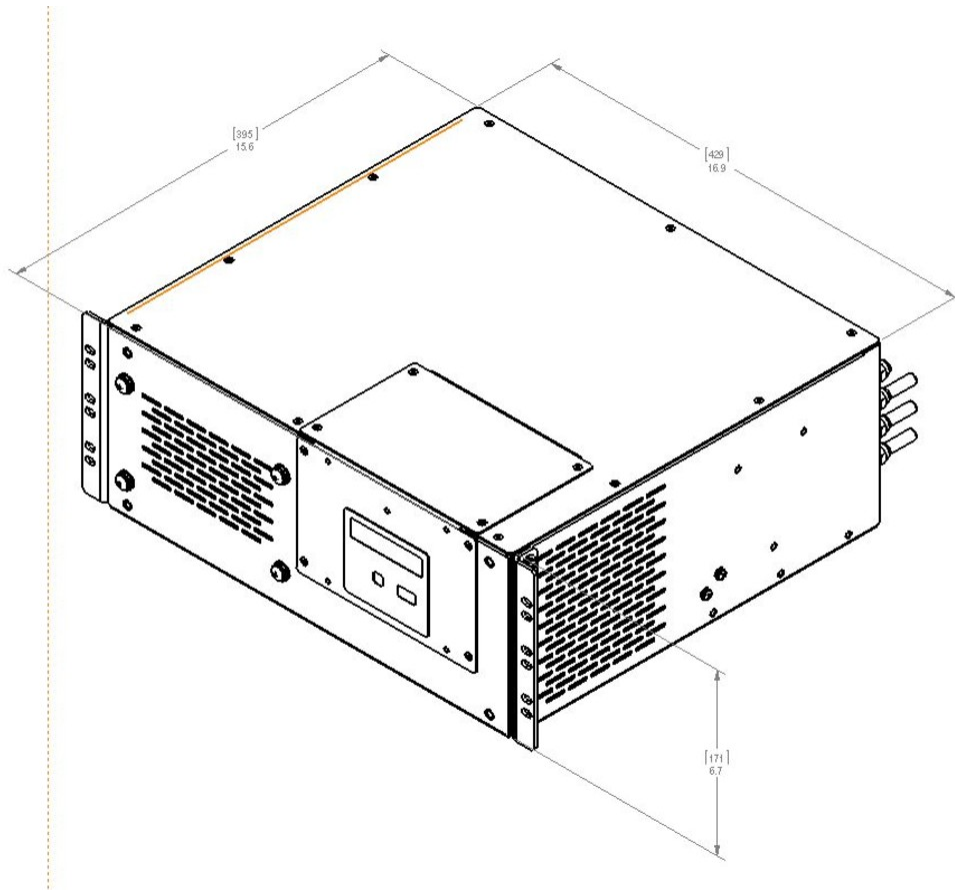
---

## Dimensions

<b>Product Height</b>	172.7 mm   6.799 in
<b>Product Width</b>	439.4 mm   17.299 in
<b>Product Depth</b>	419.1 mm   16.5 in
<b>Volume Capacity, maximum</b>	5.663 m <sup>3</sup>   199.987 ft <sup>3</sup>
<b>Volume Capacity, minimum</b>	0.283 m <sup>3</sup>   10.001 ft <sup>3</sup>

# MT500D

## Outline Drawing–Section



## Electrical Specifications

<b>Alarm Contact Rating</b>	Form C dry contacts, 2 amps at 30 Vdc
<b>Power Consumption, at runtime</b>	275 W
<b>Power Consumption, average</b>	8.3 W
<b>Power Consumption, maximum</b>	275 W
<b>Power Consumption, minimum</b>	0.2 W
<b>Power Frequency</b>	60/50 Hz
<b>Power Phase</b>	Single
<b>Suggested Circuit Breaker Size</b>	15 A
<b>Voltage</b>	115/230 Vac $\pm 10\%$ , selectable
<b>Voltage Type</b>	ac

# MT500D

---

## Environmental Specifications

**Operating Temperature** -10 °C to +50 °C (+14 °F to +122 °F)

## Packaging and Weights

**Height, packed** 312.4 mm | 12.299 in

**Width, packed** 502.9 mm | 19.799 in

**Depth, packed** 541 mm | 21.299 in

**Included** 3/8 in polyethylene tubing | 90° elbow fitting | Instruction sheet | Male connector fitting | Needle valve | PTFE tape | Power cord

**Weight, gross** 19 kg | 41.888 lb

**Weight, net** 16 kg | 35.274 lb

## Regulatory Compliance/Certifications

Agency	Classification
CHINA-ROHS	Above maximum concentration value
ISO 9001:2015	Designed, manufactured and/or distributed under this quality management system
REACH-SVHC	Compliant as per SVHC revision on <a href="http://www.commscope.com/ProductCompliance">www.commscope.com/ProductCompliance</a>
ROHS	Compliant/Exempted
UK-ROHS	Compliant/Exempted

