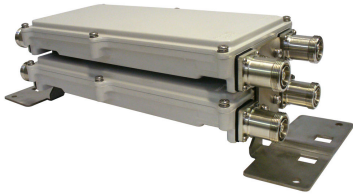


# E11F01P37

---



Twin Diplexer, DCS 1800/UMTS/WiMAX/LTE, dc pass on 1710–2180 MHz port

## Product Classification

**Product Type** Diplexer

## General Specifications

**Product Family** CBC1726old

**Color** Gray

**Modularity** 2-Twin

**Mounting** Pole | Wall

**Mounting Pipe Hardware** Band clamps (2)

**RF Connector Interface** 7-16 DIN Female

**RF Connector Interface Body Style** Long neck

## Dimensions

**Height** 300 mm | 11.811 in

**Width** 136 mm | 5.354 in

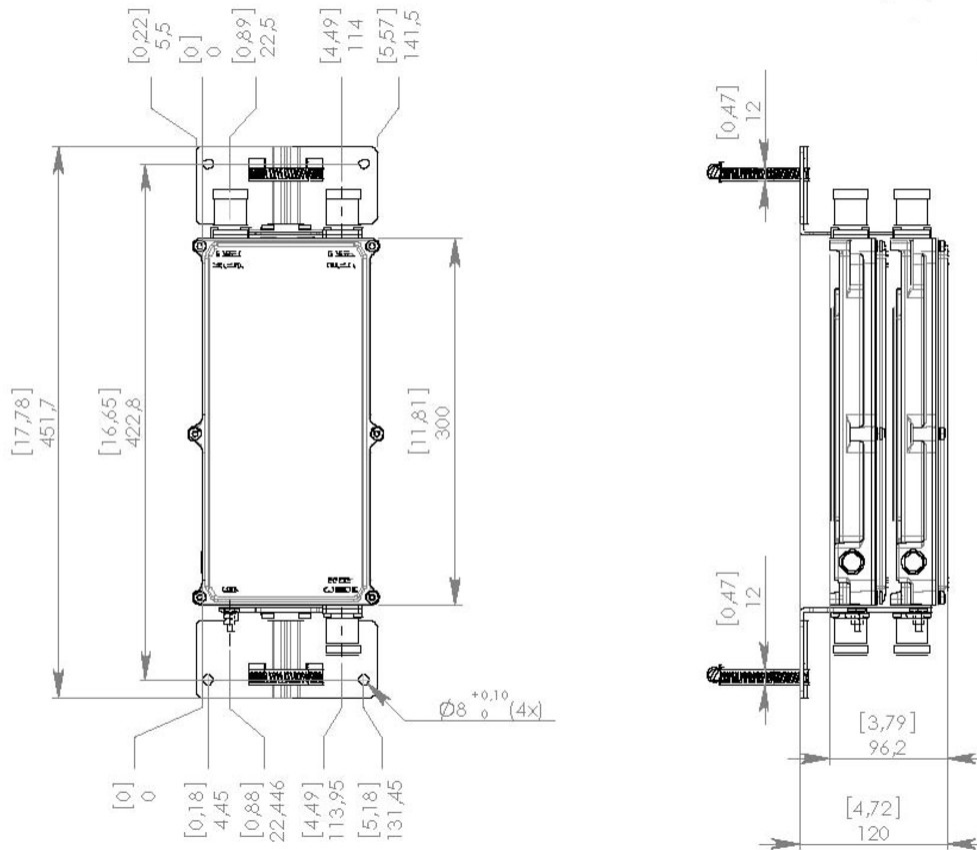
**Depth** 96.2 mm | 3.787 in

**Ground Screw Diameter** 6 mm | 0.236 in

**Mounting Pipe Diameter Range** 40–160 mm

## Outline Drawing

# E11F01P37



## Electrical Specifications

<b>Impedance</b>	50 ohm
<b>License Band, Band Pass</b>	AWS 1700   DCS 1800   IMT 2100   IMT 2600   PCS 1900

## Electrical Specifications, dc Power/Alarm

<b>dc/AISG Pass-through, combiner</b>	Branch 1
<b>dc/AISG Pass-through, demultiplexer</b>	Branch 1
<b>Lightning Surge Current</b>	3 kA
<b>Lightning Surge Current Waveform</b>	10/350 waveform

## Electrical Specifications

<b>Sub-module</b>	<b>1   2</b>	<b>1   2</b>
<b>Branch</b>	1	2
<b>Port Designation</b>	PORT 2 1710-2180	PORT 1 2400-2700

# E11F01P37

---

## License Band

AWS 1700, Band Pass  
DCS 1800, Band Pass  
IMT 2100, Band Pass  
PCS 1900, Band Pass

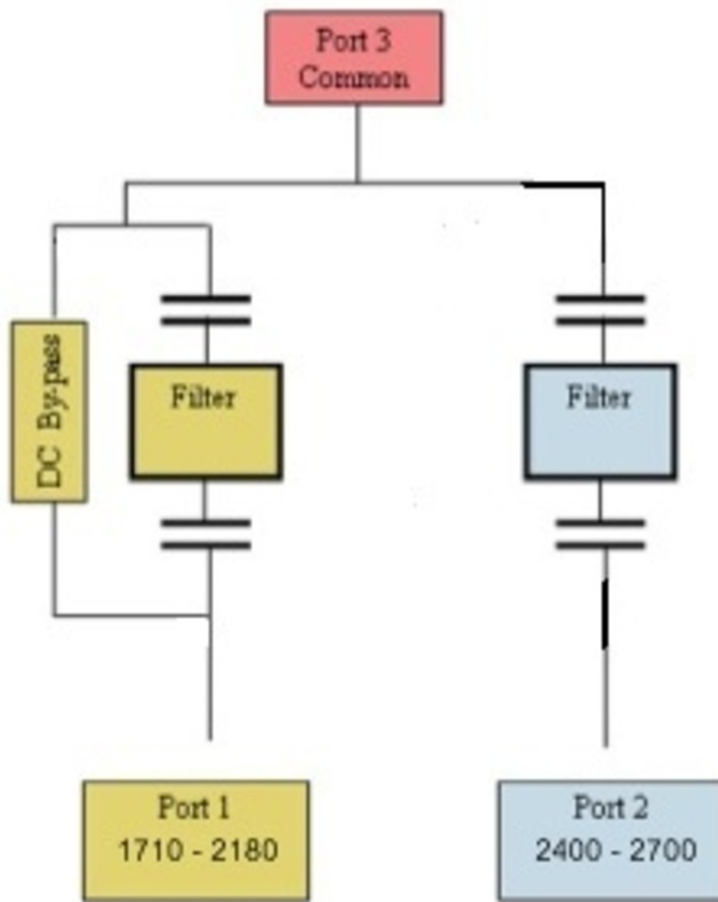
IMT 2600, Band Pass

## Electrical Specifications, Band Pass

	<b>1710–2180</b>	<b>2400–2700</b>
<b>Frequency Range, MHz</b>		
<b>Insertion Loss, typical, dB</b>	0.25	0.3
<b>Return Loss, minimum, dB</b>	19	19
<b>Isolation, minimum, dB</b>	50	50
<b>3rd Order PIM, typical, dBc</b>	-160	-160
<b>3rd Order PIM Test Method</b>	Two +43 dBm carriers	Two +43 dBm carriers

# E11F01P37

## Block Diagram



## Environmental Specifications

<b>Operating Temperature</b>	-40 °C to +60 °C (-40 °F to +140 °F)
<b>Relative Humidity</b>	Up to 100%
<b>Corrosion Test Method</b>	IEC 60068-2-11, 30 days
<b>Ingress Protection Test Method</b>	IEC 60529:2001, IP67

## Packaging and Weights

<b>Included</b>	Mounting hardware
<b>Volume</b>	3.8 L
<b>Weight, net</b>	9 kg   19.842 lb