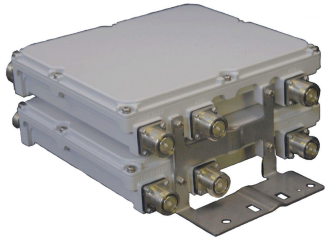


# E11F02P27



Twin Triplexer 790-862//880-960//1710-2170 MHz, dc bypass on Mid band port

## OBSOLETE

This product was discontinued on: July 1, 2022

### Replaced By:

E14F10P04

Twin Triplexer 700-800//900//1800-2600 MHz, DC Bypass on mid ports, with 4.3-10 connectors

## Product Classification

**Product Type** Triplexer

## General Specifications

**Product Family** CBC8921

**Color** Gray

**Common Port Label** COM

**Modularity** 2-Twin

**Mounting** Pole | Wall

**Mounting Pipe Hardware** Band clamps (2)

**RF Connector Interface** 7-16 DIN Female

**RF Connector Interface Body Style** Medium neck

## Dimensions

**Height** 255 mm | 10.039 in

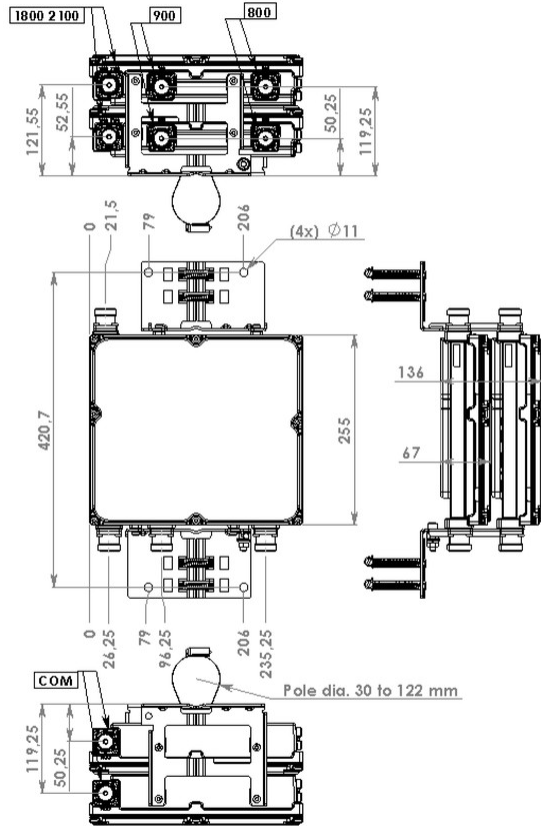
**Width** 285 mm | 11.22 in

**Depth** 136 mm | 5.354 in

**Mounting Pipe Diameter Range** 42.6–122 mm

# E11F02P27

## Outline Drawing



## Electrical Specifications

|                                |   |
|--------------------------------|---|
| <b>Impedance</b>               | 50 ohm                                  |
| <b>License Band, Band Pass</b> | CEL 900   DCS 1800   EDD 800   IMT 2100 |

## Electrical Specifications, Common Port

|                             |       |
|-----------------------------|-------|
| <b>Composite Power, RMS</b> | 340 W |
|-----------------------------|-------|

## Electrical Specifications, dc Power/Alarm

|  |          |
|--|----------|
| <b>dc/AISG Pass-through, combiner</b>      | Branch 2 |
| <b>dc/AISG Pass-through, demultiplexer</b> | Branch 2 |
| <b>Lightning Surge Current</b>             | 5 kA     |

# E11F02P27

---

## Lightning Surge Current Waveform

8/20 waveform

## Electrical Specifications

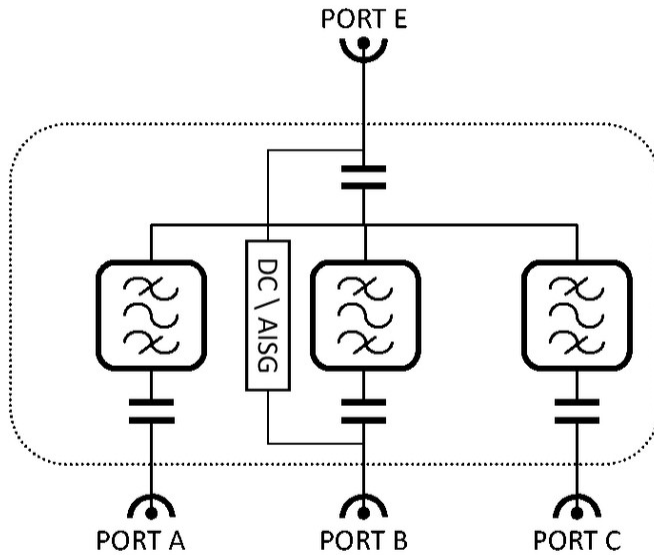
|                         |                    |                    |  |
|-------------------------|--------------------|--------------------|--|
| <b>Sub-module</b>       | <b>1   2</b>       | <b>1   2</b>       | <b>1   2</b>                               |
| <b>Branch</b>           | 1                  | 2                  | 3  |
| <b>Port Designation</b> | 800                | 900                | 1800-2100                                  |
| <b>License Band</b>     | EDD 800, Band Pass | CEL 900, Band Pass | DCS 1800, Band Pass<br>IMT 2100, Band Pass |

## Electrical Specifications, Band Pass

|                                    |                      |                      |                      |
|------------------------------------|----------------------|----------------------|----------------------|
| <b>Frequency Range, MHz</b>        | <b>790–862</b>       | <b>880–960</b>       | <b>1710–2170</b>     |
| <b>Insertion Loss, maximum, dB</b> | 0.4                  | 0.4                  | 0.4                  |
| <b>Return Loss, minimum, dB</b>    | 21                   | 21                   | 21                   |
| <b>Isolation, minimum, dB</b>      | 50                   | 50                   | 50                   |
| <b>3rd Order PIM, maximum, dBc</b> | -160                 | -160                 | -160                 |
| <b>3rd Order PIM Test Method</b>   | Two +43 dBm carriers | Two +43 dBm carriers | Two +43 dBm carriers |

## Block Diagram

## (X2) SCHEMATIC



### Environmental Specifications

|                                       |                                      |
|---------------------------------------|--------------------------------------|
| <b>Operating Temperature</b>          | -40 °C to +60 °C (-40 °F to +140 °F) |
| <b>Relative Humidity</b>              | Up to 100%                           |
| <b>Corrosion Test Method</b>          | IEC 60068-2-11, 30 days              |
| <b>Ingress Protection Test Method</b> | IEC 60529:2001, IP68                 |

### Packaging and Weights

|                    |                   |
|--------------------|-------------------|
| <b>Included</b>    | Mounting hardware |
| <b>Volume</b>      | 9.8 L             |
| <b>Weight, net</b> | 13 kg   28.66 lb  |

### Regulatory Compliance/Certifications

# E11F02P27

---

**Agency**

ISO 9001:2015

**Classification**

Designed, manufactured and/or distributed under this quality management system