

Ordering and design guidelines for reduced-diameter patch cords (MiNo6)

The MiNo6 (“Minnow Six”) is a small diameter patch cord, delivering Category 6/Class E performance while utilizing a true unshielded twisted pair (U/UTP) design. Building upon CommScope’s cable engineering knowledge, MiNo6 utilizes 28-AWG solid conductors and is designed to provide maximum performance, flexibility and durability in a reduced diameter design.



The MiNo6 patch cord supports CommScope’s Category 6/Class E channel applications and can be used in channels with SYSTIMAX® GigaSPEED XL®, UniPrise® UltraMedia® or Media 6® cables and NETCONNECT. CommScope has tested and characterized the MiNo6’s performance in various channel configurations and guarantees Category level performance.

The MiNo6 features a highly-engineered, unique, patented plug design. The plug precisely controls termination, resulting in consistent and superior performance. A compact crimp ring ensures secure and reliable contact between cable jacket and plug, also allowing for a low profile on the rear of the plug housing. MiNo6 features brightly-colored subcomponents and an anti-snag latch that enhances the user experience in field identification and deployment.

MiNo6 is designed to be used as a patch cord for equipment, cross-connect, or workstation.

Features and Benefits

	Description
Electrical performance:	ANSI/TIA-568-C.2 Category 6 / ISO 11801 Class E Performance Compliant*.
	Meets or exceeds all ANSI/TIA-568-C.2 Category 6 and ISO 11801 Class E patch cord‡ and channel transmission performance requirements.
	EC compliance: Meets IEC 60603-7
	Supports IEEE 802.3af, 802.3at and proposed 802.3bt# PoE applications.
Mechanical features:	Nominal cable diameter (DOJ): 0.151” (3.81 mm)
	Flammability rating: Dual Rated CM/LSZH (Low Smoke Zero Halogen)
	Operating temperature: 14°F to 140°F (-10°C to 60°C)
	Storage temperature: -40°F to 158°F (-40°C to 70°C)
	Compatible with SYSTIMAX® SecureMAX™ Lock for increased physical security
	Supported by CommScope’s signature cable assembly configurator and available in various colors and length in 1 foot/1 meter increments
	Available in bulk pack of 10 and 100 pieces
Compliance:	Safety compliance: ETL Listed; UL 1863 and CAN/CSA-C22.2 (ETL File 3166536CRT-001)
	RoHS compliant
	Supports 750 mating cycles
	100 percent tested for wire map and high-voltage breakdown.

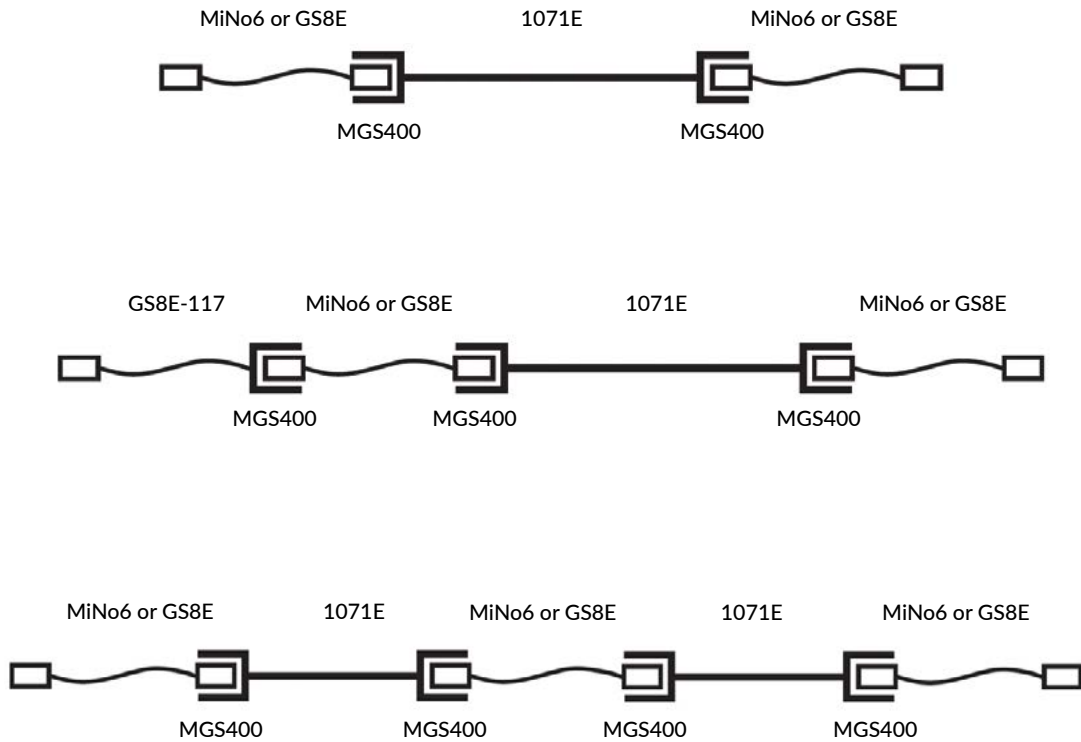
* 28-AWG cordage is outside the scope of established standards, but offered for reduced congestion in high-density installations.

‡ Limited to 10 meter cord lengths. Contact CommScope if longer lengths are required.

Consult a CommScope field application engineer if Type 4 power sourcing equipment (PSE) is deployed.

MiNo6 channel configurations

MiNo6 cords are 28-AWG and are not available as single-ended components. Similarly, they are not suitable for cutting and outlet termination; as such, configurations are limited. MiNo6 cords may be substituted into any conventional full cord position – for example, the following SYSTIMAX channels with GigaSPEED XL cabling:



Length (de-rating) guidelines

The 28-AWG cordage of MiNo6 cords are insertion loss de-rated by 90 percent, in contrast to 20 percent de-rating of conventional cordage. ANSI/TIA-568-C.2 and ISO 11801 specify insertion loss de-rating differently. ANSI/TIA-568-C.2 calculates a maximum cord length (C) for a given horizontal cable length (H) using a fractional de-rating factor (D), while ISO 11801 calculates the maximum horizontal length for a given total cord length (F) using a loss factor (X). The results are not exactly the same, but either calculation may be used for MiNo6 applications support. Up to 32.6 total meters of MiNo6 cordage meets Category 6/Class E channel performance specifications, using either of the following calculations (in meters):

TIA de-rating from horizontal length (H)		
$C \leq (102-H)/(1+D)$		
	24-AWG	MiNo6
H	D=0.2	D=0.9
90.0	10.0	6.3
80.0	18.3	11.6
70.0	26.7	16.8
60.0	35.0	22.1
50.0	43.3	27.4
40.0	51.7	32.6

ISO de-rating from cord length (F)		
$H \leq 103 - F * X$		
	24-AWG	MiNo6
F	X=1.2	X=1.9
10.0	91.0	84.0
15.0	85.0	74.5
20.0	79.0	65.0
25.0	73.0	55.5
30.0	67.0	46.0

ISO 11801 also has a mixed de-rating calculation when using cords of both types with a second cord length (C) and second de-rating (Y):

$$H = 103 - F * X - C * Y$$

For example, with a five-meter GS8E cord and two three-meter MiNo6 cords, the maximum horizontal length = $103 - (1.2 * 5) - (1.9 * 6) = 85.6$ meters.

Base code	Product number	Detailed Description	Jacket color											Cable/cordage length	
			BK	LB	DG	GN	OR	RD	WH	YL	PK	BL	UOM		
CO166S2	MiNo6-L	MiNo6-L Category 6 CM/LSZH modular patch cord		2	3					8	9			F/M	3-33 feet / 1-10 meters
BO166S2	MiNo6-L-10PK	CO166S2 (pack of 10) MiNo6-L-10PK													3-33 feet / 1-10 meters
KO166S2	MiNo6-L-MEGAPACK	CO166S2 (pack of 100) MiNo6-L-MEGAPACK													3-33 feet / 1-10 meters

Cord color options: 1=BK (black), 2=LB (light blue), 3=DG (dark gray), 4=GN (spring/lime green), 6=OR (orange), 7=RD (red), 8=WH (white), 9=YL (yellow) K=PK (pink), Z=BL (blue).



commscope.com

Visit our website or contact your local CommScope representative for more information.

© 2023 CommScope, Inc. All rights reserved.

All trademarks identified by ™ or ® are trademarks or registered trademarks in the US and may be registered in other countries. All product names, trademarks and registered trademarks are property of their respective owners. This document is for planning purposes only and is not intended to modify or supplement any specifications or warranties relating to CommScope products or services.