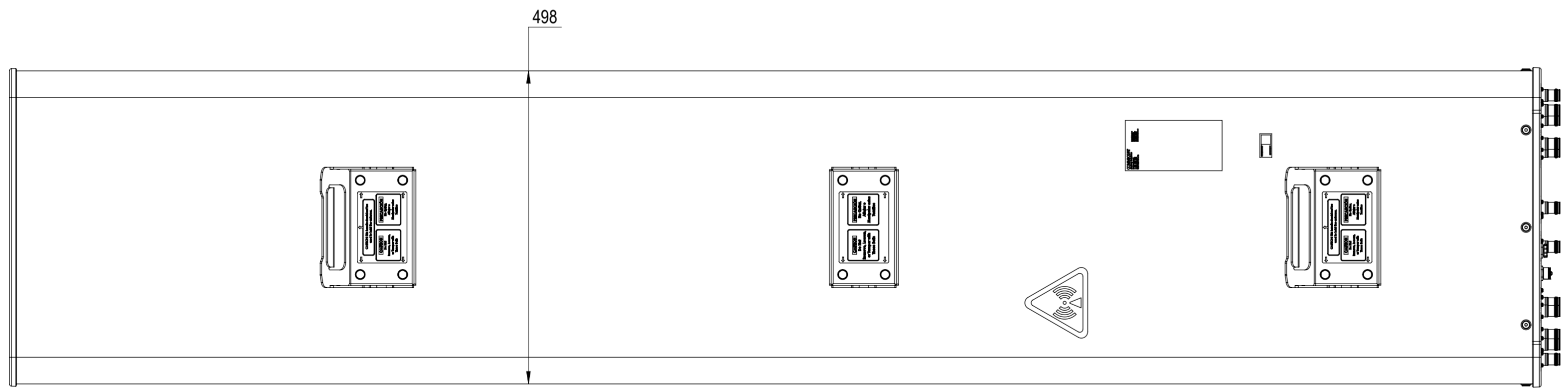
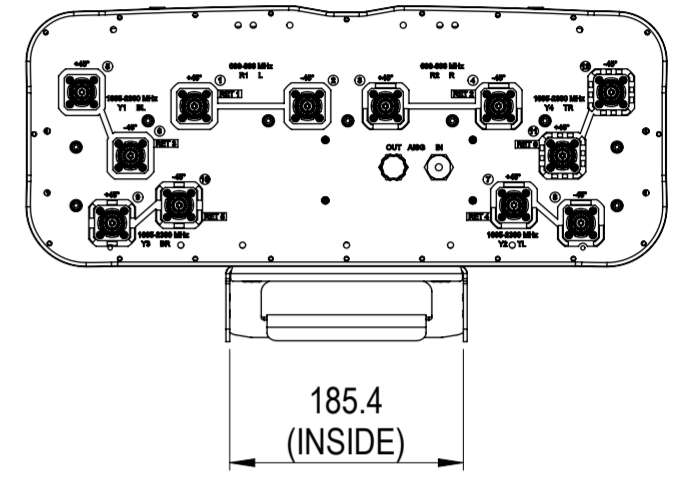
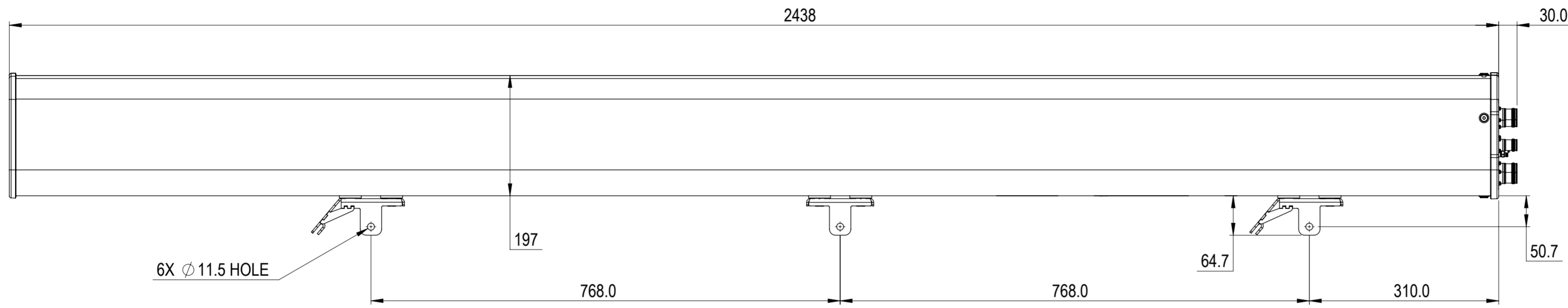


NOTES:

REVISIONS			
REV.	DESCRIPTION	DATE	APPROVED
A	ECR 8000028353: REL TO PRODUCTION PER EAO 605060.	09FEB18 HWW	SHINE/PJ
B	ECR 8000036581: UPDATE DRAWING WITH LATEST MODEL.	31JUL19 CMY	ZHWJ/REX
C	ECR 8000040360: UPDATE DRAWING WITH LATEST MODEL.	17APR20 LS	DM.WANG/YZLI



NNH4-65C-R6-V1

COMMSCOPE, INC. OF NORTH CAROLINA

TOLERANCES		SAP MATERIAL MASTER						
0 PLACE X ±	2 PLACE .XX ±							
1 PLACE .X ±	ANGLES ±							
FINISH		MATERIAL						
<small>UNLESS OTHERWISE SPECIFIED DIMENSIONS ARE IN MILLIMETERS INTERPRET PER ISO STANDARDS HANDBOOK TECHNICAL DRAWINGS VOLUMES 1 & 2, THIRD EDITION (2002)</small>		NAME	DATE					
		CE WH1029	02/09/2018					
		RW SL1039	04/19/2020					
		RV ZL8001	04/20/2020					
		AD JP1112	04/20/2020					
RE ZHHCHEN	04/20/2020	SCALE 1:6 DOCUMENT NO. NNH4-65C-R6-V1-L						
ECN 8000040360-O								
SIZE	WORK AREA	23	MODEL					
A2		VERSION	STATUS	REVISION	VERSION	STATUS	REVISION	SHEET
		03	RE	D	02	RE	C	1 OF 1