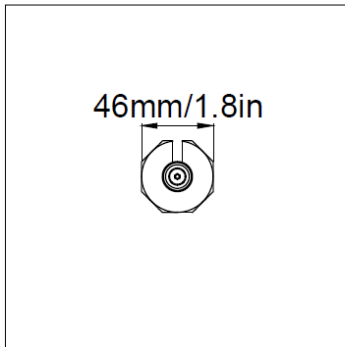
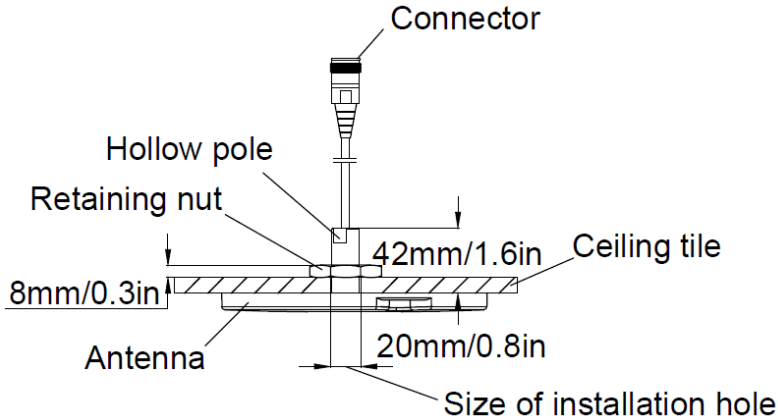


**INSTALLATION INSTRUCTION FOR
CMAX-OUS-UW43-i53**

Installation Mode 1

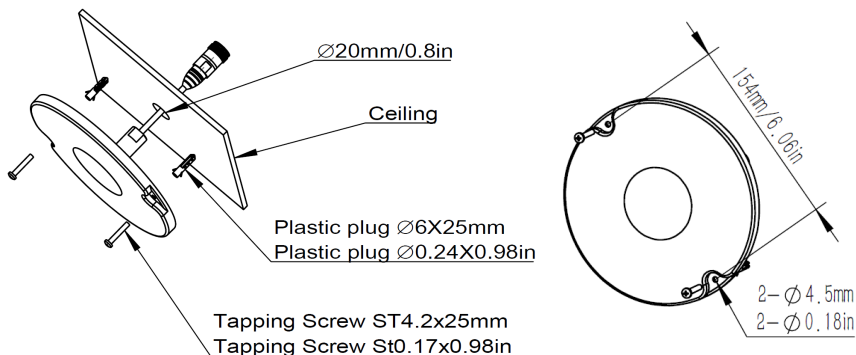


Installation Steps

- 1) Cut a hole on ceiling with the diameter shown in the left picture.
- 2) Remove the retaining nut from the back of the antenna.
- 3) Feed the pigtail of the antenna through the hole.
- 4) Re-install the retaining nut so that it is close-fitting to the ceiling.

Note: Cable min. bending radius: 40mm

Installation Mode 2



Installation Steps

- 1) Drill two holes into the ceiling per the pattern of holes which are shown in the right chart above.
- 2) Insert the plastic plug into the holes.
- 3) Remove the retaining nut from the back of the antenna.
- 4) Fix the antenna to the ceiling by using the tapping screws (ST4.2X25) and plastic plug (Ø6X25mm).

© Copyright 2020 CommScope, Inc.

All rights reserved.

All information contained in this manual has been revised thoroughly. Yet CommScope accepts no liability for any omissions or faults.

CommScope reserves the right to change all hardware and software characteristics without notice.

Names of products mentioned herein are used for identification purposes only and may be trademarks and / or registered trademarks of their respective companies.

No parts of this publication may be reproduced, stored in a retrieval system, transmitted in any form or by any means, electronic, mechanical photocopying, recording or otherwise, without prior written permission of the publisher.

CommScope, 04-May-2020