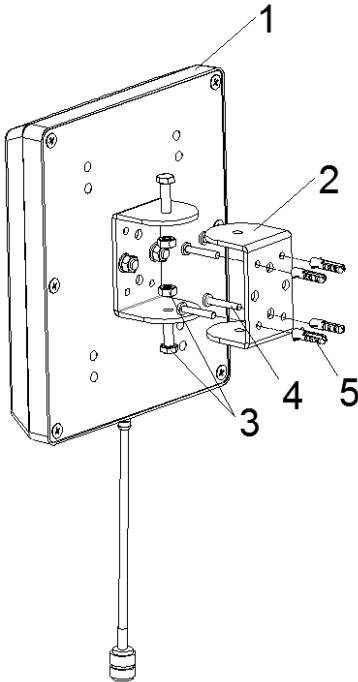


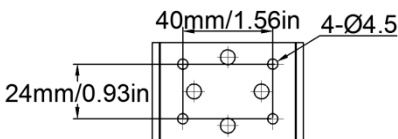
INSTALLATION INSTRUCTION FOR CELLMAX- D-CPUSE-O



Installation Steps

- 1) Drill four holes in the wall per pattern of holes in bracket (item 2).
- 2) Mount bracket (item 2) to the wall anchors plastic plug (item 4 plastic plug $\varnothing 6 \times 25 \text{mm}$) and tapping screws (item 3 tapping Screw ST4.2x25mm).
- 3) Mount the antenna (item 1) to the bracket (item 2).
- 4) Connect the RF cables.

Note: Cable min. bending radius: 40mm



© Copyright 2020 CommScope, Inc.

All rights reserved.

All information contained in this manual has been revised thoroughly. Yet CommScope accepts no liability for any omissions or faults.

CommScope reserves the right to change all hardware and software characteristics without notice.

Names of products mentioned herein are used for identification purposes only and may be trademarks and / or registered trademarks of their respective companies.

No parts of this publication may be reproduced, stored in a retrieval system, transmitted in any form or by any means, electrical, mechanical photocopying, recording or otherwise, without prior written permission of the publisher.

CommScope, 04-May-2020