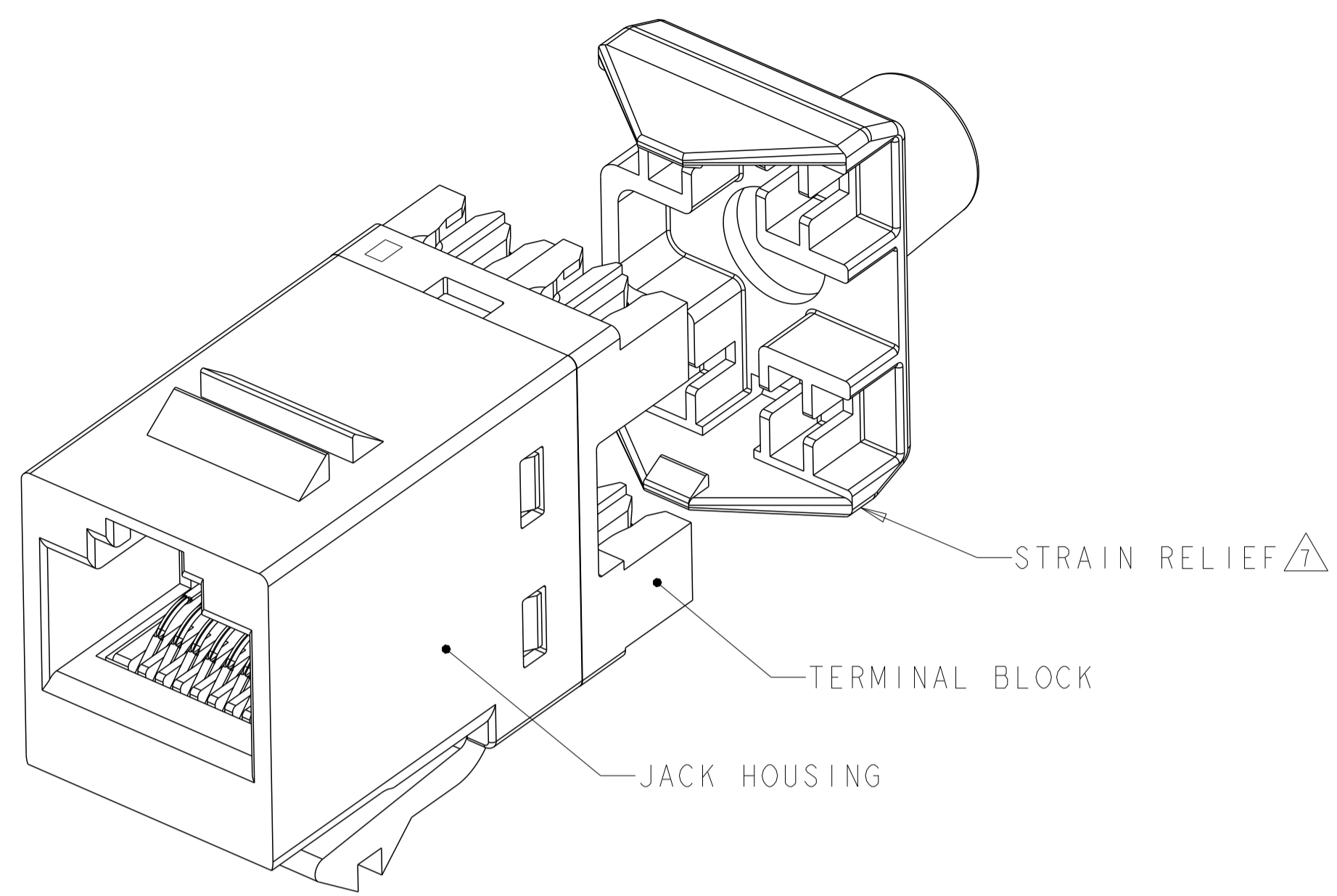
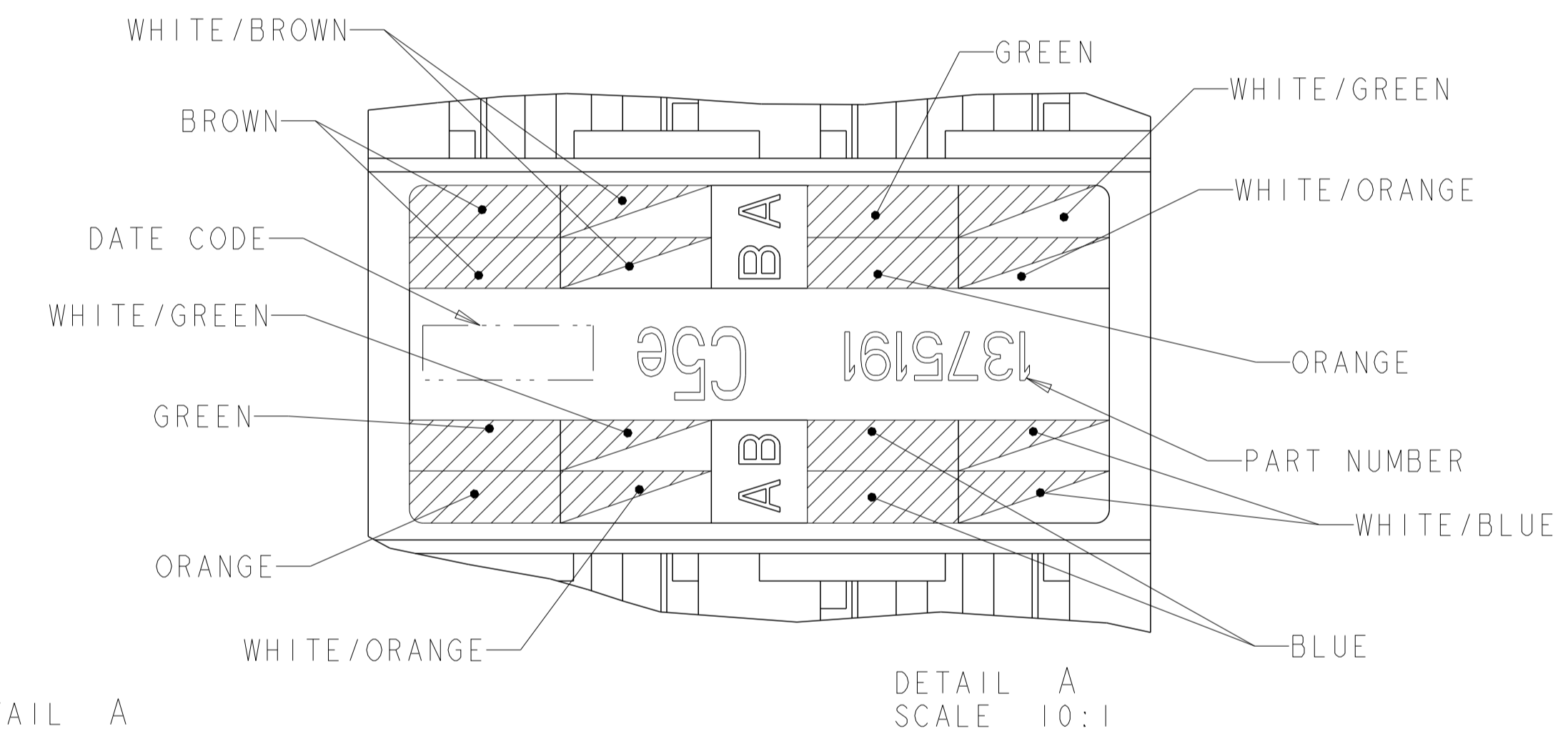
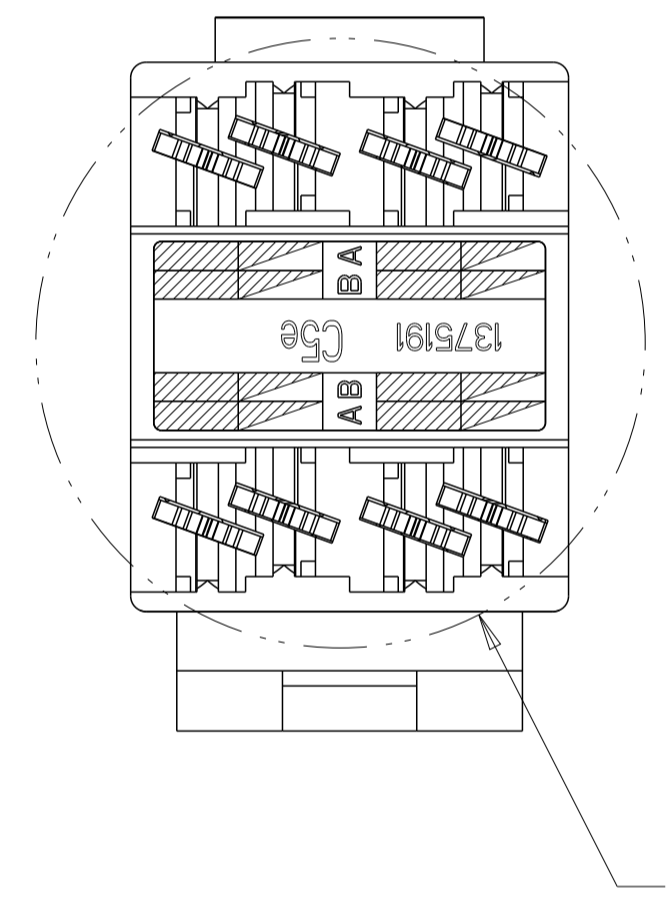
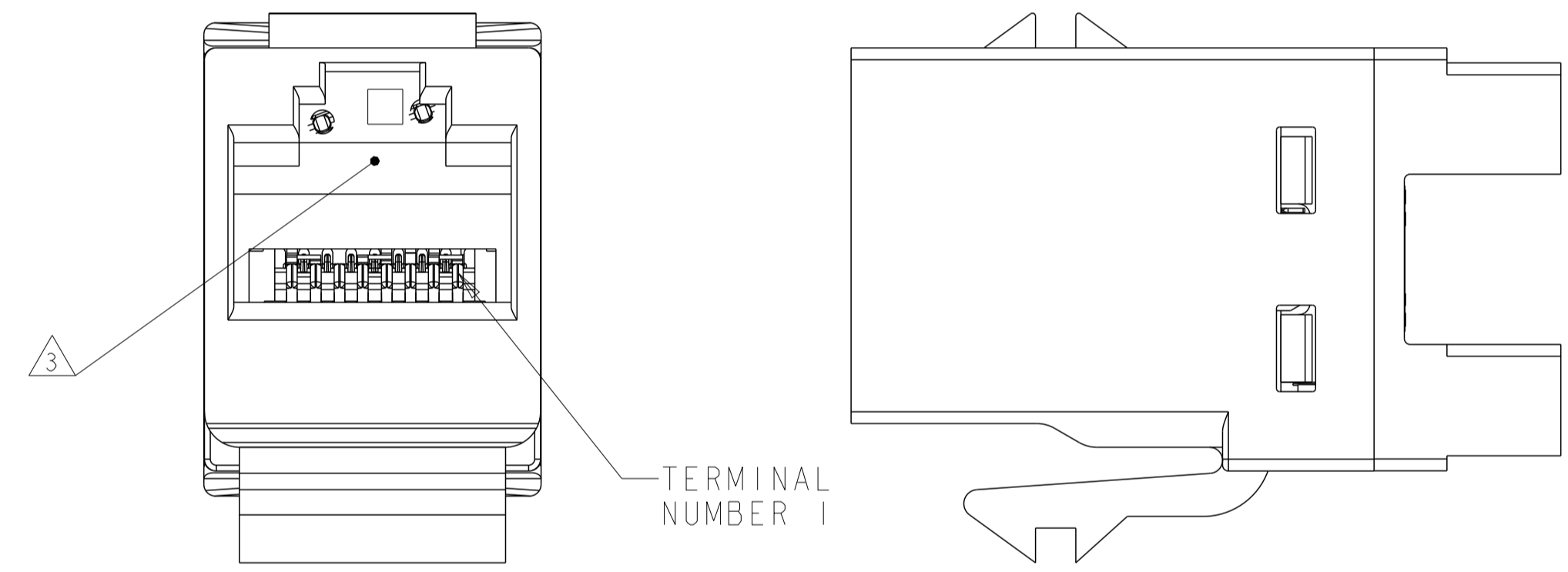


REVISIONS			
REV	DESCRIPTION	DATE	APPROVED
L	40088519CMO	09-APR-2019	JH



- △ MATERIAL: JACK HOUSING - POLYCARBONATE, 94V-0 RATED. 110 BLOCK AND STRAIN RELIEF- POLYCARBONATE. ARRAY TRAY - PBT POLYESTER. JACK CONTACTS ARRAY - BERYLLIUM COPPER, PLATED WITH 1.27µm [.000050] MINIMUM THICK GOLD IN LOCALIZED AREA AND 3.81µm [.000150] MINIMUM THICK MATTE TIN IN BOARD INTERFACE AREA OVER 1.27µm [.000050] MINIMUM THICK NICKEL UNDERPLATE. IDC TERMINALS - PHOSPHOROUS BRONZE, PLATED WITH 3.81µm [.000151] MINIMUM THICK MATTE TIN OVER 1.27µm [.000051] MINIMUM THICK NICKEL UNDERPLATE.
- 2. SL 110 JACK WILL TERMINATE 22-24 AWG SOLID AND 24-26 AWG STRANDED CONDUCTORS, 1.27[.050] MAXIMUM INSULATION DIAMETER. JACK WILL ACCEPT CONDUCTORS UP TO 1.45 [.057] BUT REQUIRE THE USE OF A STRAIN RELIEF.
- △ 3 CAVITY CONFORMS TO FCC RULES AND REGULATIONS PART 68 SUBPART F REQUIREMENTS.
- 4. MOUNTING PANEL THICKNESS 1.47 - 1.60 [.058 - .063].
- △ 5 THESE TWO SUGGESTED CUTOUT OPENINGS ARE USED IN TANDEM WITH DUAL FRONT AND BACK CUTOUTS.
- △ 6 ONE MODULAR JACK ASSEMBLY AND ONE STRAIN RELIEF PER POLYBAG.
- △ 7 USE OF STRAIN RELIEF IS OPTIONAL.
- 8. REFER TO 408-8858 FOR TERMINATION INSTRUCTIONS USING SL SERIES TOOL TERMINATION. REFER TO 408-8417 FOR TERMINATION INSTRUCTIONS USING 110 PUNCH DOWN TOOL.
- 9. REFER TO PRODUCT SPECS 108-1990 AND 108-1990-2.

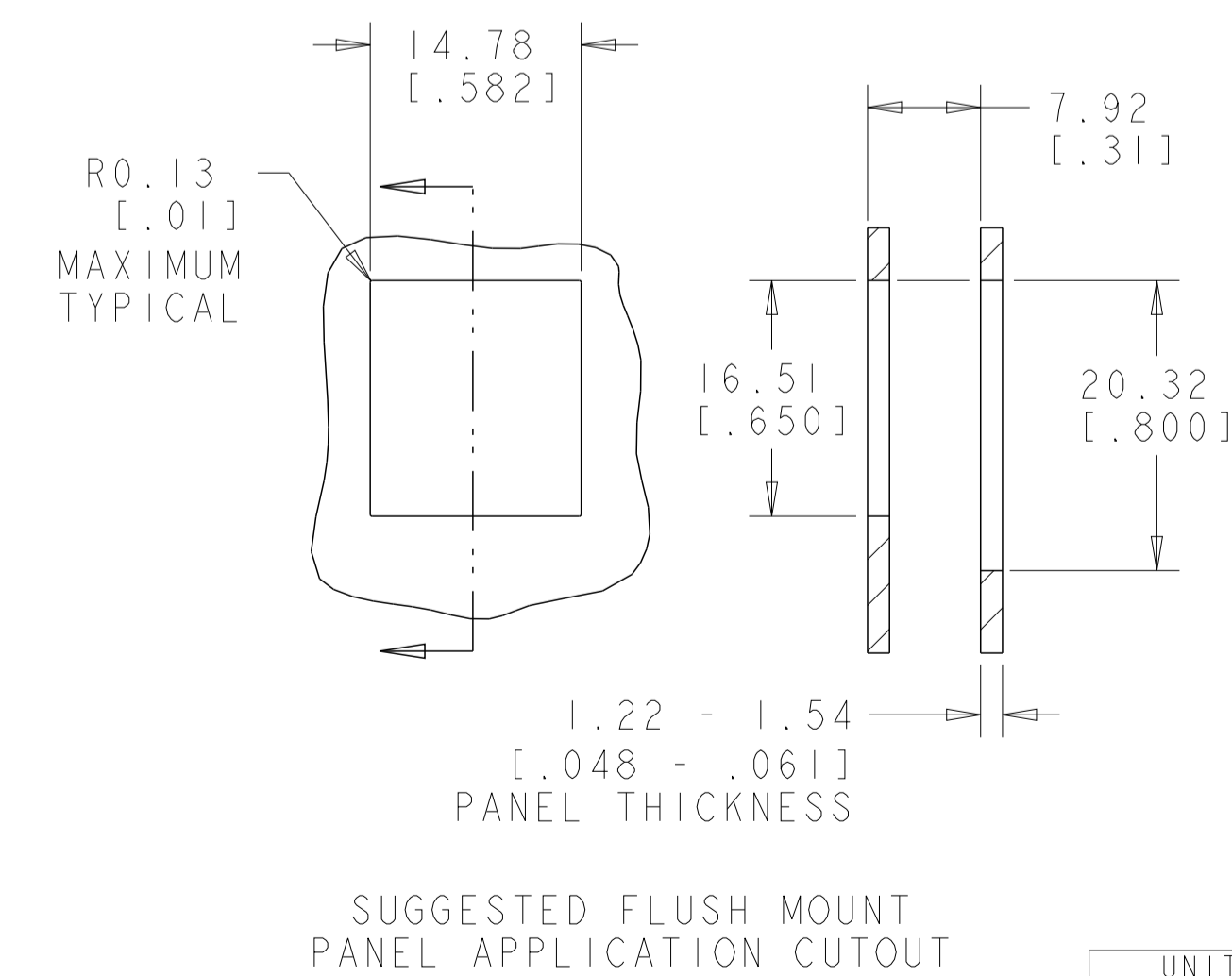
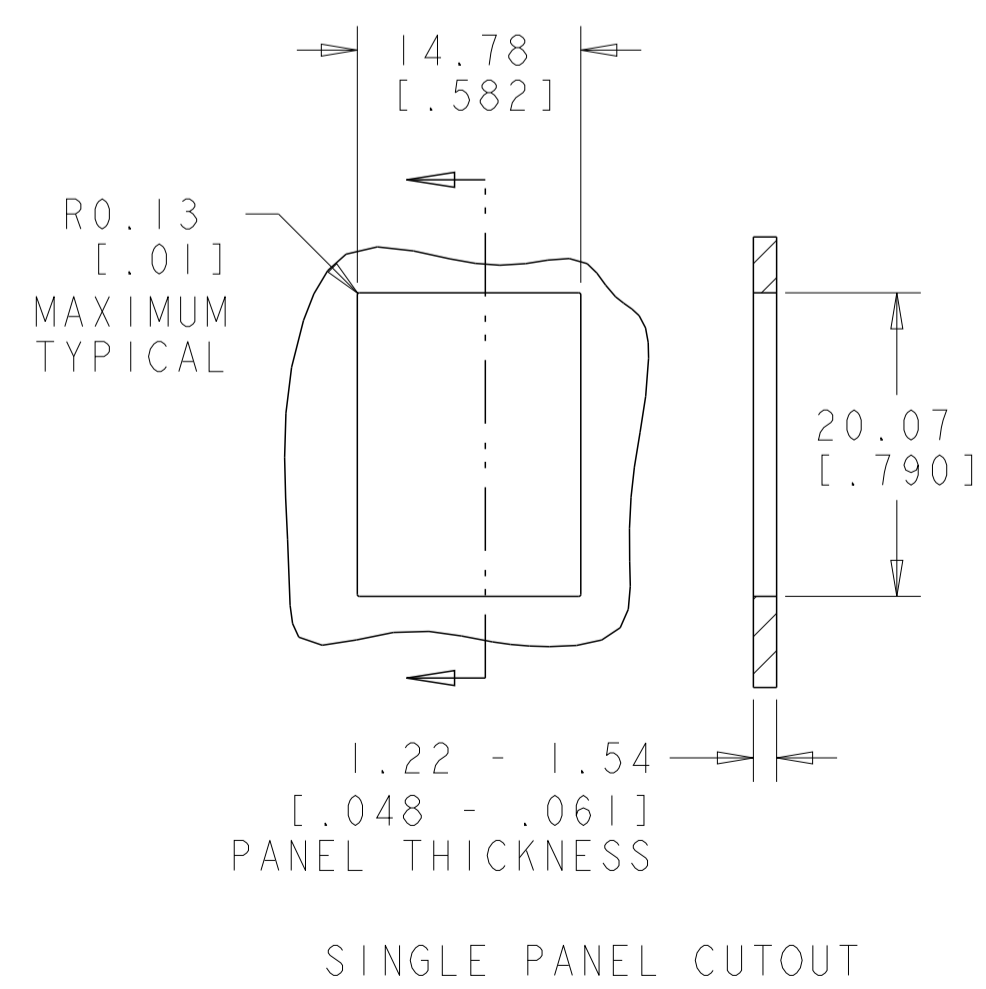


COLOR CODE	IDC TERMINAL	MODULAR JACK
WHITE/BLUE	5	5
BLUE	4	4
WHITE/ORANGE	3	3
ORANGE	6	6
WHITE/GREEN	1	1
GREEN	2	2
WHITE/BROWN	7	7
BROWN	8	8

ELECTRICAL SCHEMATIC T568A

COLOR CODE	IDC TERMINAL	MODULAR JACK
WHITE/BLUE	5	5
BLUE	4	4
WHITE/ORANGE	1	1
ORANGE	2	2
WHITE/GREEN	3	3
GREEN	6	6
WHITE/BROWN	7	7
BROWN	8	8

ELECTRICAL SCHEMATIC T568B



MATERIAL	PACKAGE	HOUSING COLOR	PART NUMBER
ALPINE WHITE			1-1375191-3
ELECTRIC IVORY			1-1375191-1
VIOLET			1-1375191-0
GREEN			1375191-9
YELLOW			1375191-8
RED			1375191-7
BLUE			1375191-6
ORANGE			1375191-5
NEMA GRAY			1375191-4
BLACK			1375191-2
LIGHT ALMOND			1375191-1

UNITS	mm [INCHES]
TOLERANCE	VALUE
0 PLC	-
1 PLC	-
2 PLC	-
3 PLC	-
4 PLC	-
ANGLE TOL	-
SURFACE TOL	-

COMMSCOPE, INC.

DRAFTER: T. PITTS TITLE: ASSEMBLY, SL 110 JACK, CATEGORY 5e

ENGINEER: C. DOOLEY SIZE: A1 SCALE: 4:1 DOCUMENT NO.: 1375191

CUSTOMER DRAWING REVISION SHEET L 1 OF 1