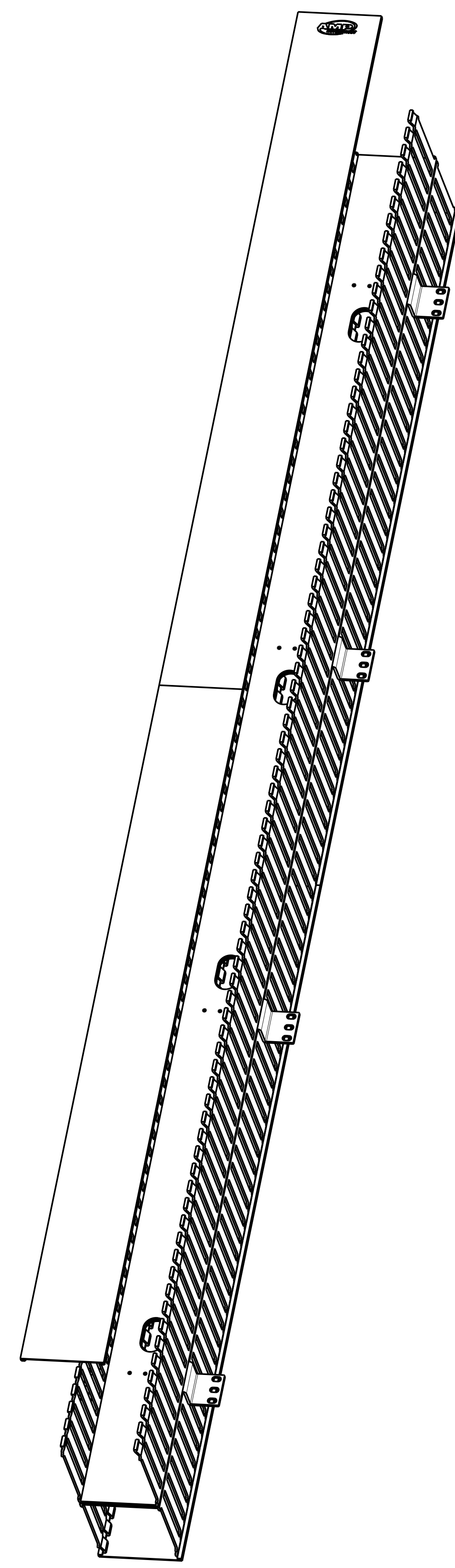
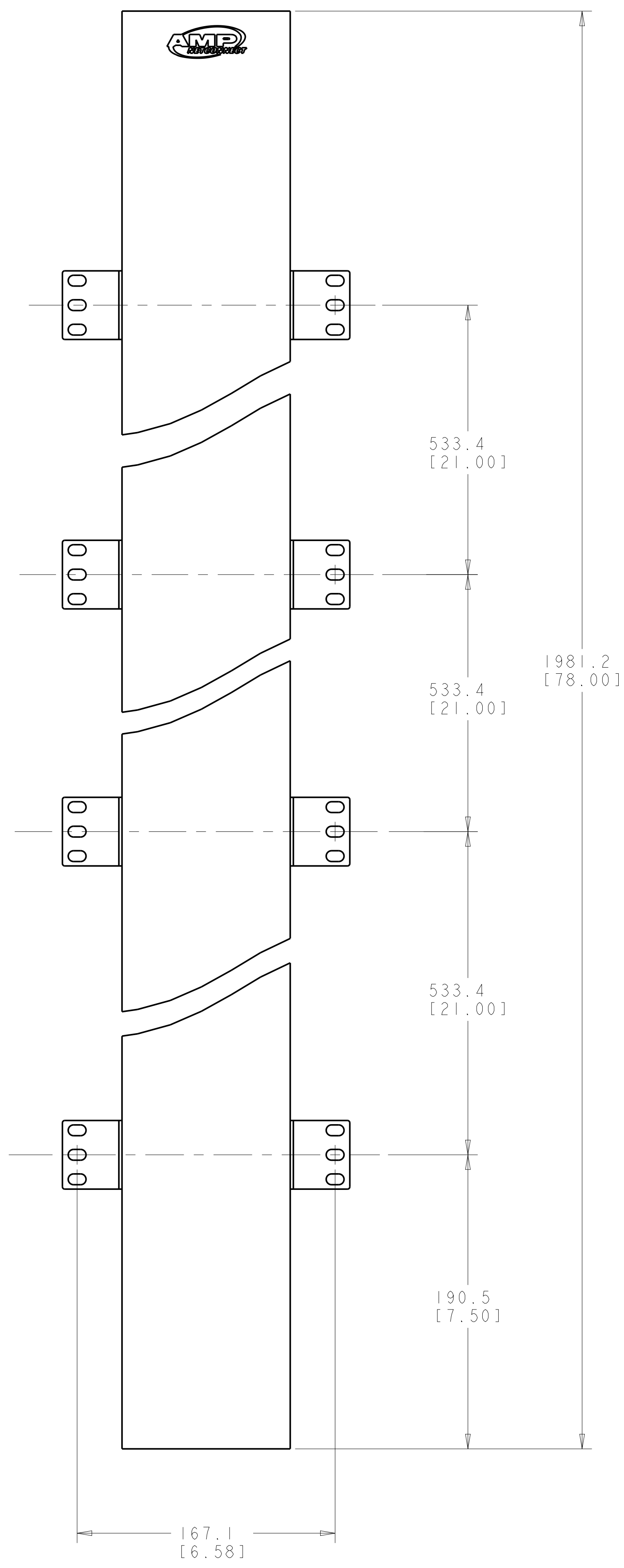
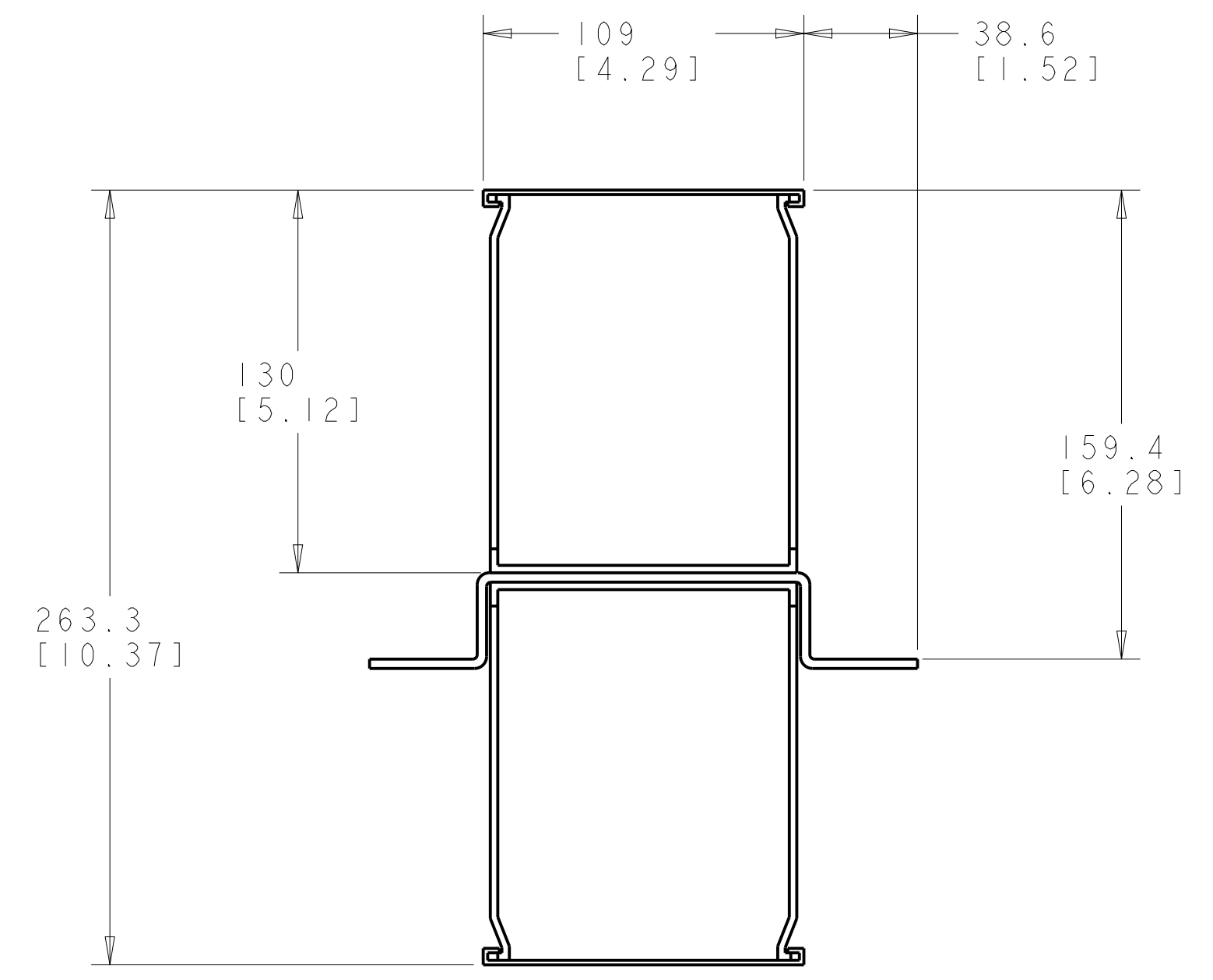


REVISIONS				
P.	LTN	DESCRIPTION	DATE	APP'D
D		REV BNS_CD_BRAND	10FEB2017	GG DC



SCALE 1:4

- 1. MATERIAL: ASSEMBLY - POWDER COATED ALUMINUM, AND PVC, BLACK, MATTE FINISH.
- 2. ALL DIMENSIONS ARE NOMINAL UNLESS OTHERWISE NOTED.



1375259-1  
PART NUMBER

THIS DRAWING IS A CONTROLLED DOCUMENT.		DWN L. SMITH 06OCT2000	<b>COMMSCOPE, INC.</b>	
DIMENSIONS: MM [INCH]		CHK S. HERNDON 06OCT2000		
TOLERANCES UNLESS OTHERWISE SPECIFIED:		APVD T. COLEMAN 06OCT2000	NAME PANEL, VERT. CABLE MANAGEMENT, CENTER MOUNT, 78 INCH, FRONT AND REAR	
0 PLC ±	1 PLC ±	PRODUCT SPEC	SIZE CAGE CODE DRAWING NO	
2 PLC ±	3 PLC ±	APPLICATION SPEC	RESTRICTED TO	
4 PLC ±	ANGLES ±	WEIGHT	A1 C=1375259	
MATERIAL	FINISH	CUSTOMER DRAWING	SCALE 1:2	SHEET 1 OF 1 REV D