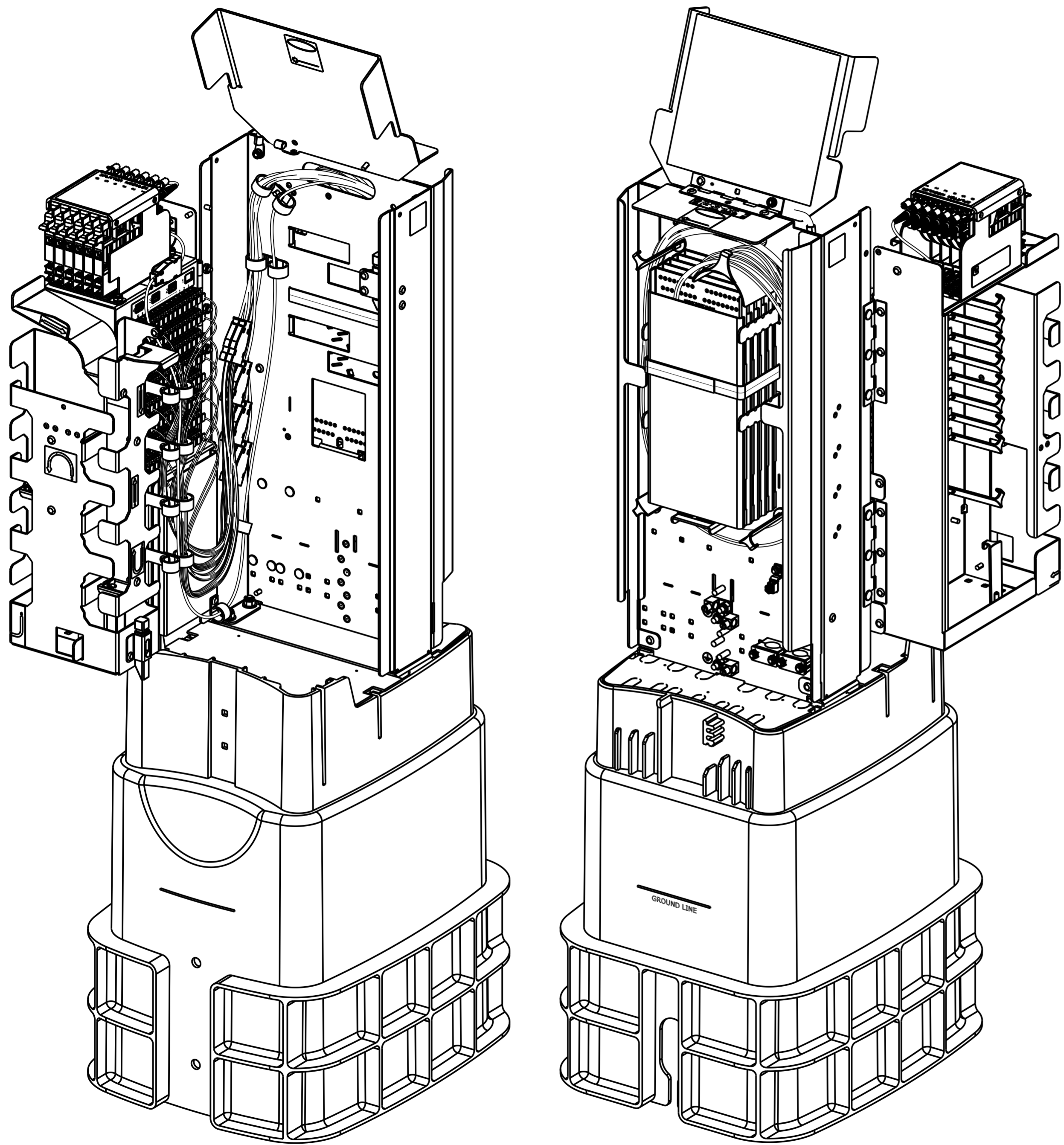


REVISIONS			
REV	DESCRIPTION	DATE	APPROVED
D	20313558	26-SEP-2011	RCR
E	40051707CMO MODIFY NOTE 3	26-SEP-2017	LCM



SHOWN WITHOUT PEDESTAL COVER

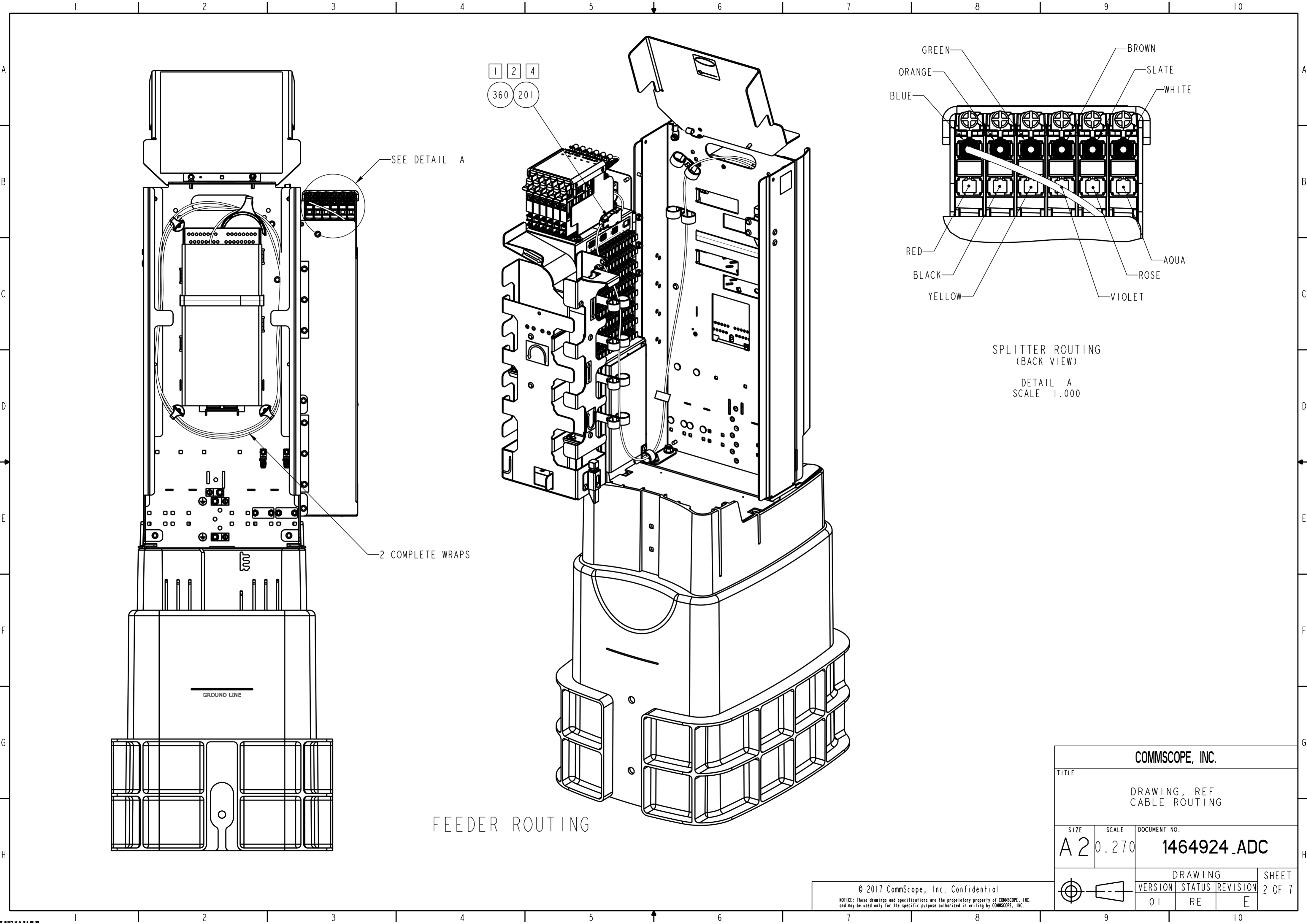
NOTES:

- IF NOTED OF DRAWING F/N 999 MATERIAL TAB, ROUTING CABLES IN THE ASSEMBLY, STRIP OFF 58" AND RIBBONIZE THE LAST 8" OF FIBER USING GLUE, F/N 910, AND ROUTE IN SPLICE TRAY F/N 210.
- APPLY LABEL, F/N 570, TO EACH OF 3MM CABLE AND LABEL, F/N 560, ON THE SPLICE TRAY FOR IDENTIFICATION.
FOR EXSAMPLE: FEEDER CABLE PLACE LABEL #1'S ON 3 LOCATIONS: HALF INCH BEHIND THE FAN-OUT BOOT, AT THE END OF THE JACKET, AND AT THE END OF THE RIBBON, THEN PLACE F/N 560 (FEEDER) ON THE SPLICE TRAY AS SHOWN. DISTRIBUTION CABLE 1 PLACE LABEL #2'S ON 3 LOCATIONS: ON THE SAME LOCATIONS AS FEEDER CABLE AND F/N 560 (1-24) AND SO ON. SEE SHEET 7.
- CUT SPIRAL WRAP, F/N 090 (CUT AND USE F/N 091 IF ON BOM ON F/N 201) TO 1.50" LONG.
- SET CABLE TIE INSTALL TOOL TO THE LOWEST SETTING.

DENSITY	g / mm ³
MASS	kg
VOLUME	mm ³
SURFACE AREA	mm ²
HEIGHT	mm
LENGTH	mm
WIDTH	mm

COMMSCOPE, INC.										
TOLERANCES					SAP MATERIAL MASTER					
N/A										
FINISH					MATERIAL					
N/A					N/A					
SYMBOLOLOGY AGREES WITH ASME Y14.5M - 2009. ALL SHEETS ARE THE SAME REVISION AND STATUS.	DRAFTER			TITLE						
	JIM SOLHEID			DRAWING, REF		CABLE ROUTING				
	CHECKER			ENGINEER		SIZE	SCALE	DOCUMENT NO.		
	ALAN GARCIA			SOUTSADA VONGSENG		A2	0.270	1464924_ADC		
ECN	40051707CMO									
ALL SURFACES		WORK AREA: 65		MODEL		DRAWING		SHEET		
	✓	⊕	—	VERSION	STATUS	REVISION	VERSION	STATUS	REVISION	
				01	RE	E	01	RE	E	
									1 OF 7	

© 2017 CommScope, Inc. Confidential
 NOTICE: These drawings and specifications are the proprietary property of COMMSCOPE, INC. and may be used only for the specific purpose authorized in writing by COMMSCOPE, INC.



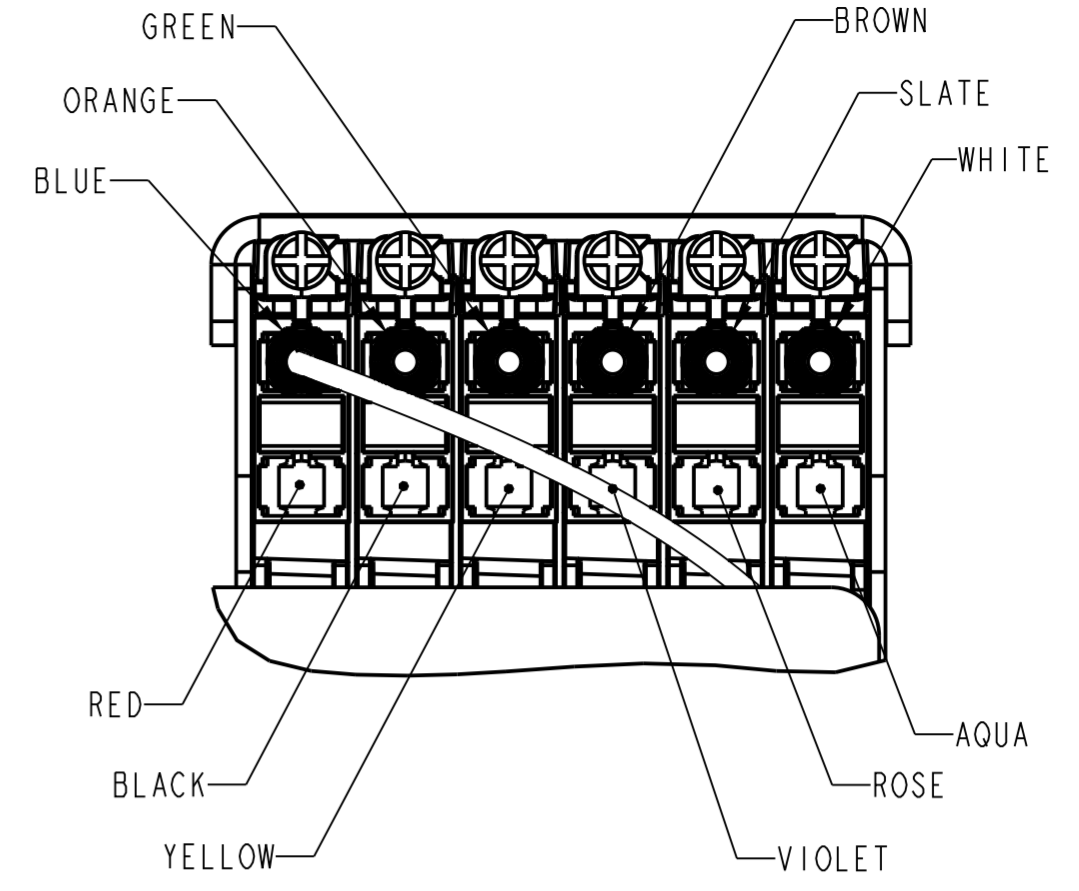
1 2 4
360 201

SEE DETAIL A

2 COMPLETE WRAPS

GROUND LINE

FEEDER ROUTING

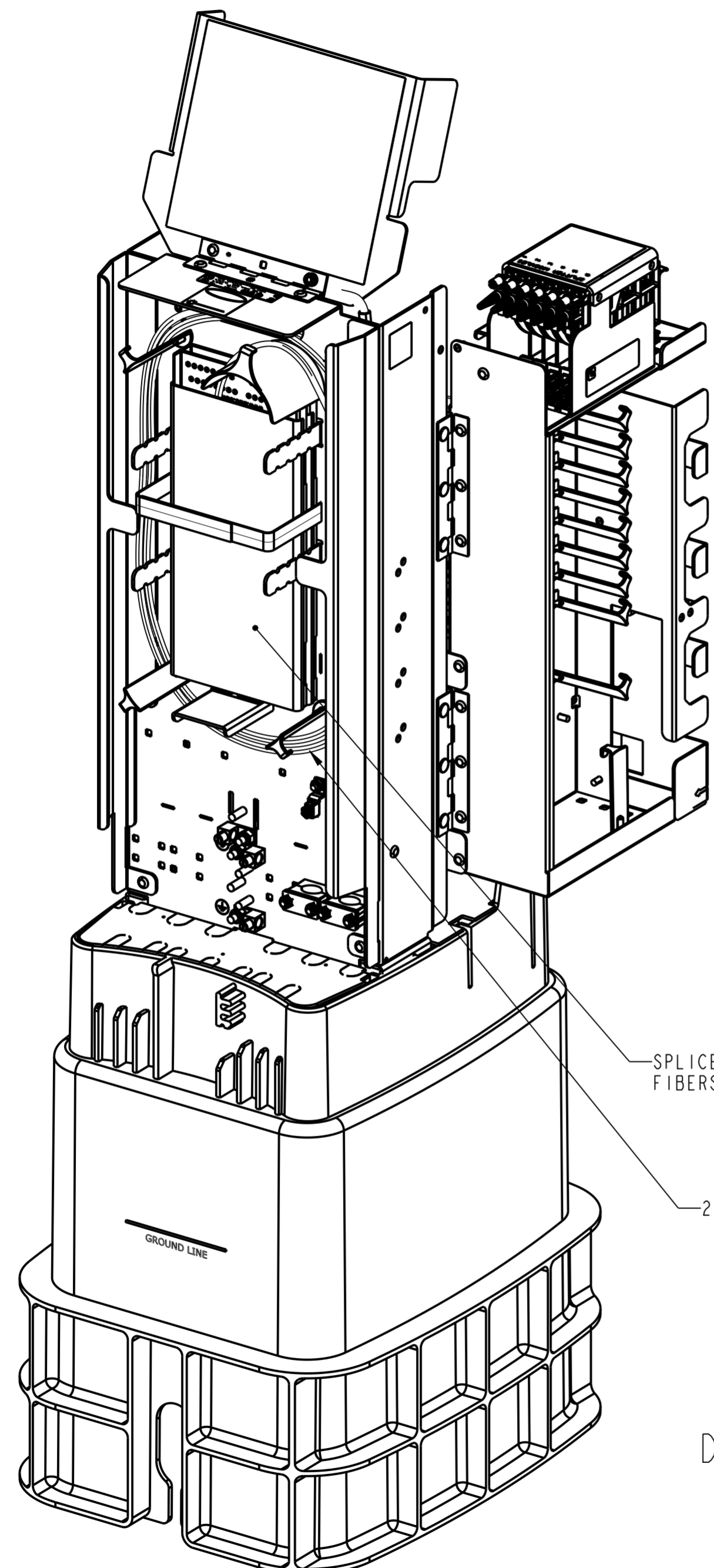


SPLITTER ROUTING
(BACK VIEW)

DETAIL A
SCALE 1.000

COMMSCOPE, INC.			
TITLE			
DRAWING, REF CABLE ROUTING			
SIZE	SCALE	DOCUMENT NO.	
A2	0.270	1464924_ADC	
DRAWING			SHEET
VERSION	STATUS	REVISION	2 OF 7
01	RE	E	

© 2017 CommScope, Inc. Confidential
NOTICE: These drawings and specifications are the proprietary property of COMMSCOPE, INC. and may be used only for the specific purpose authorized in writing by COMMSCOPE, INC.

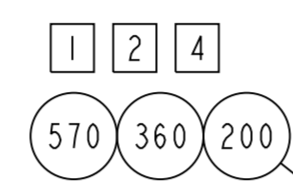


SPLICE TRAY FOR FIBERS 1 -24

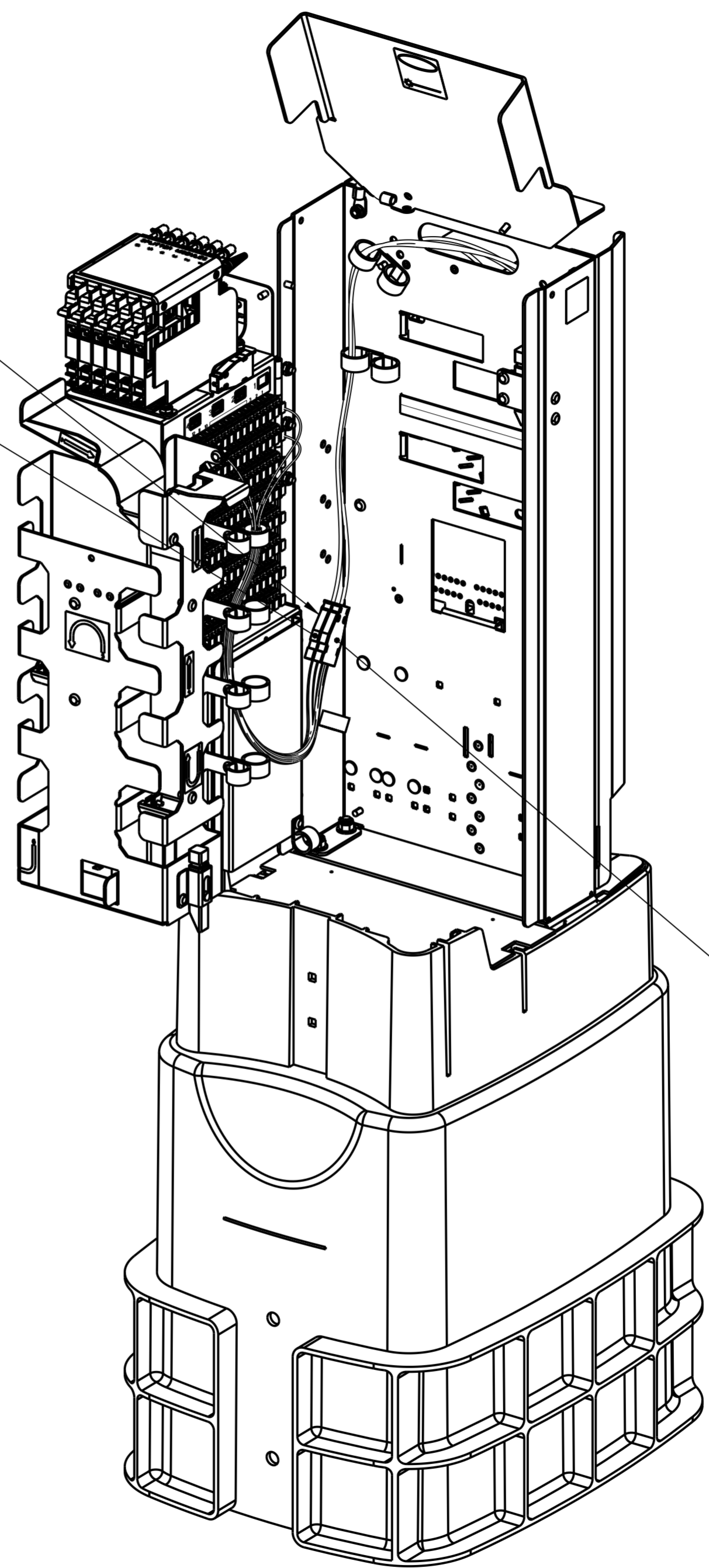
2 WRAPS

GROUND LINE

DIST. ROUTING, FIBERS 1-24



DIST 2

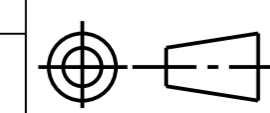


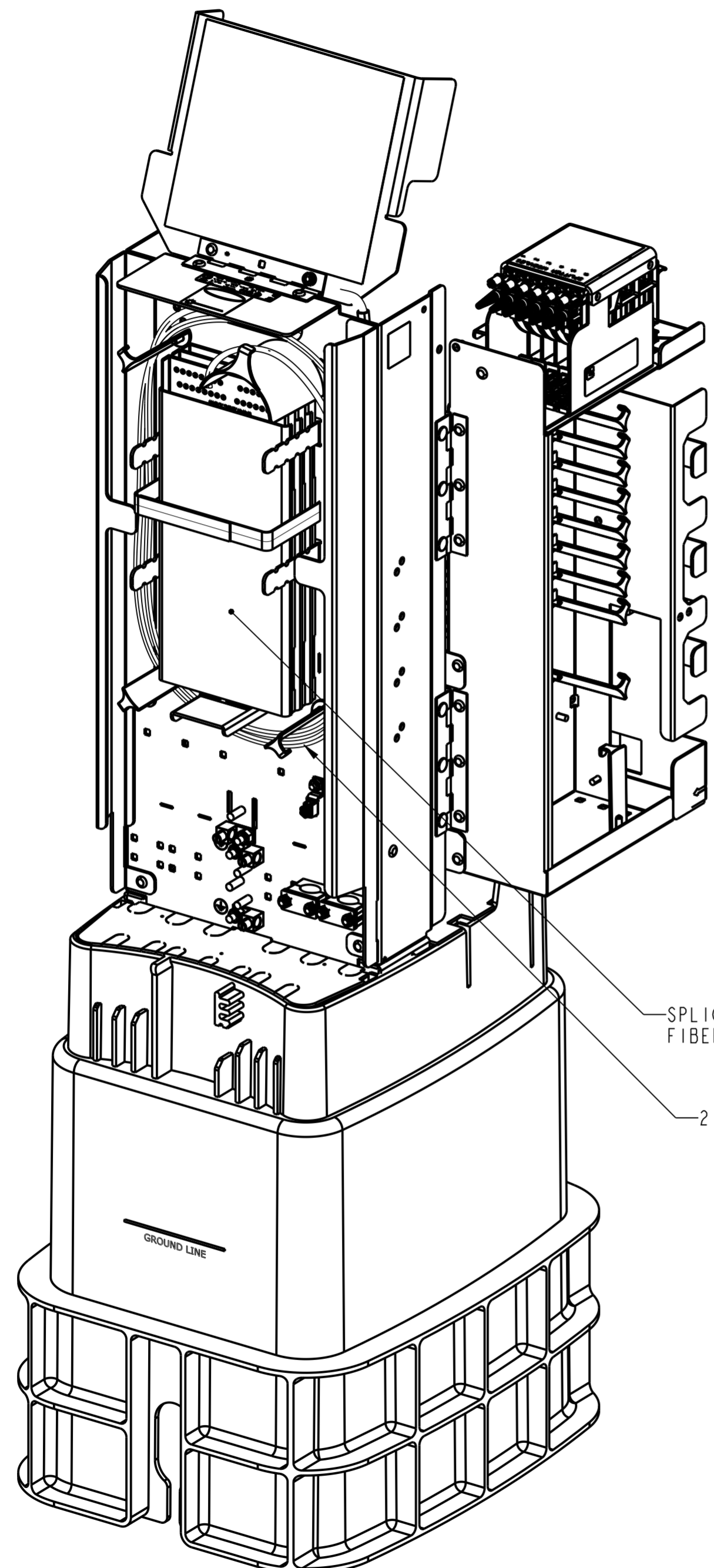
DIST 1

COMMSCOPE, INC.			
TITLE			
DRAWING, REF CABLE ROUTING			
SIZE	SCALE	DOCUMENT NO.	
A2	0.270	1464924 .ADC	
DRAWING			SHEET
VERSION	STATUS	REVISION	3 OF 7
01	RE	E	

© 2017 CommScope, Inc. Confidential

NOTICE: These drawings and specifications are the proprietary property of COMMSCOPE, INC. and may be used only for the specific purpose authorized in writing by COMMSCOPE, INC.





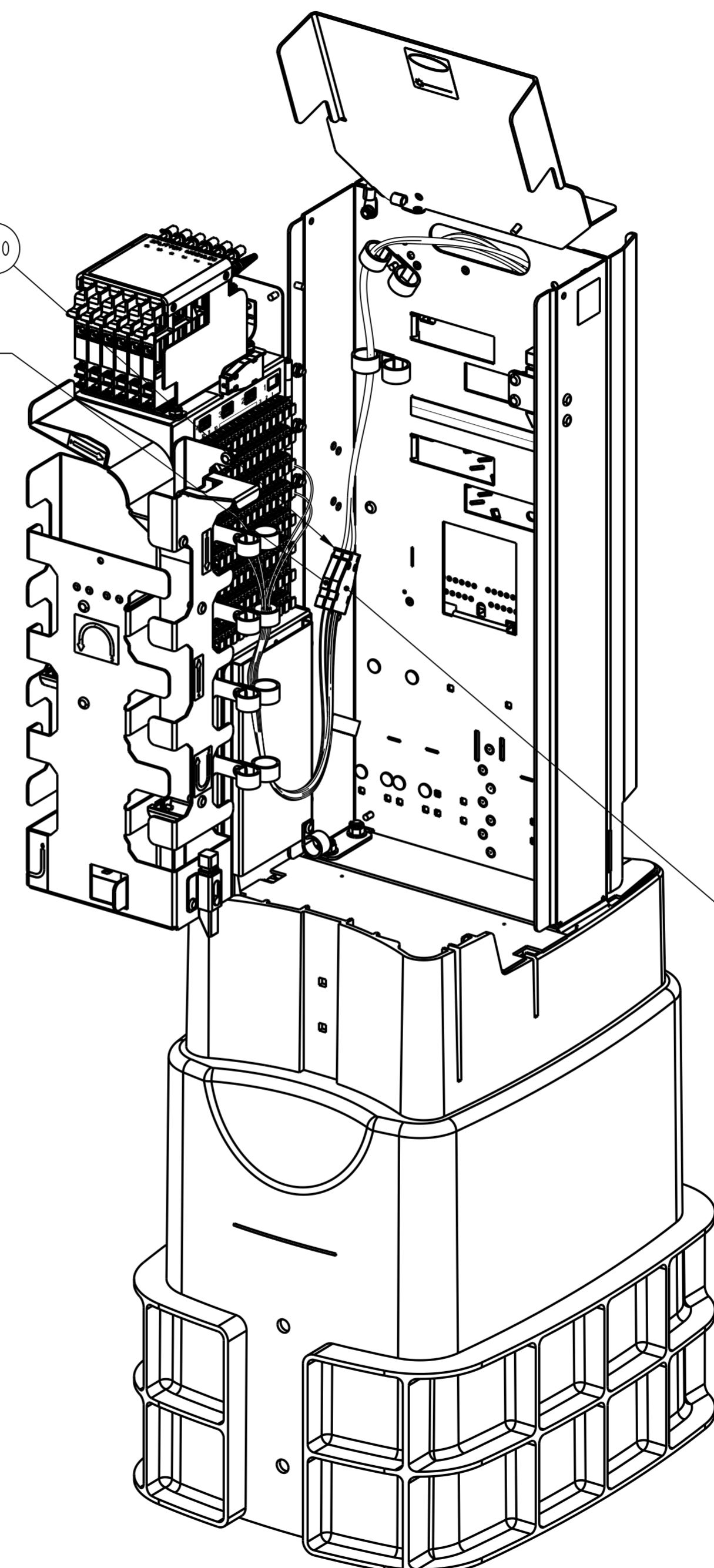
SPLICE TRAY FOR FIBERS 25-48
2 WRAPS

GROUND LINE

DIST. ROUTING,
FIBERS 25-48
(ONLY IF ON BOM)

1 2 4
570 360 200

DIST 4

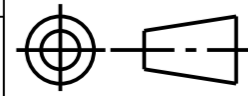


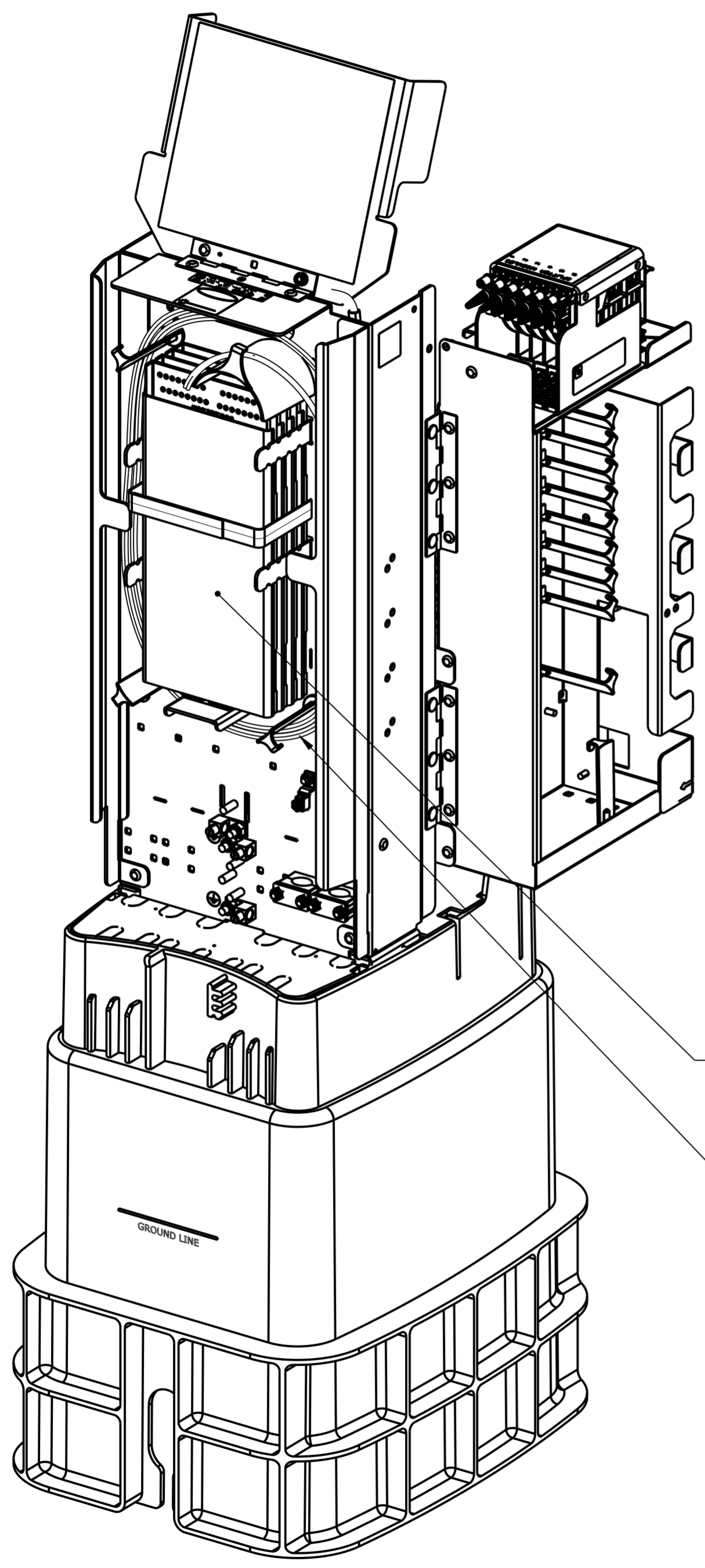
DIST 3

COMMSCOPE, INC.			
TITLE			
DRAWING, REF CABLE ROUTING			
SIZE	SCALE	DOCUMENT NO.	
A2	0.270	1464924_ADC	
DRAWING			SHEET
VERSION	STATUS	REVISION	4 OF 7
01	RE	E	

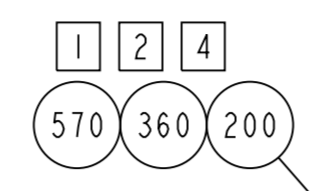
© 2017 CommScope, Inc. Confidential

NOTICE: These drawings and specifications are the proprietary property of COMMSCOPE, INC. and may be used only for the specific purpose authorized in writing by COMMSCOPE, INC.



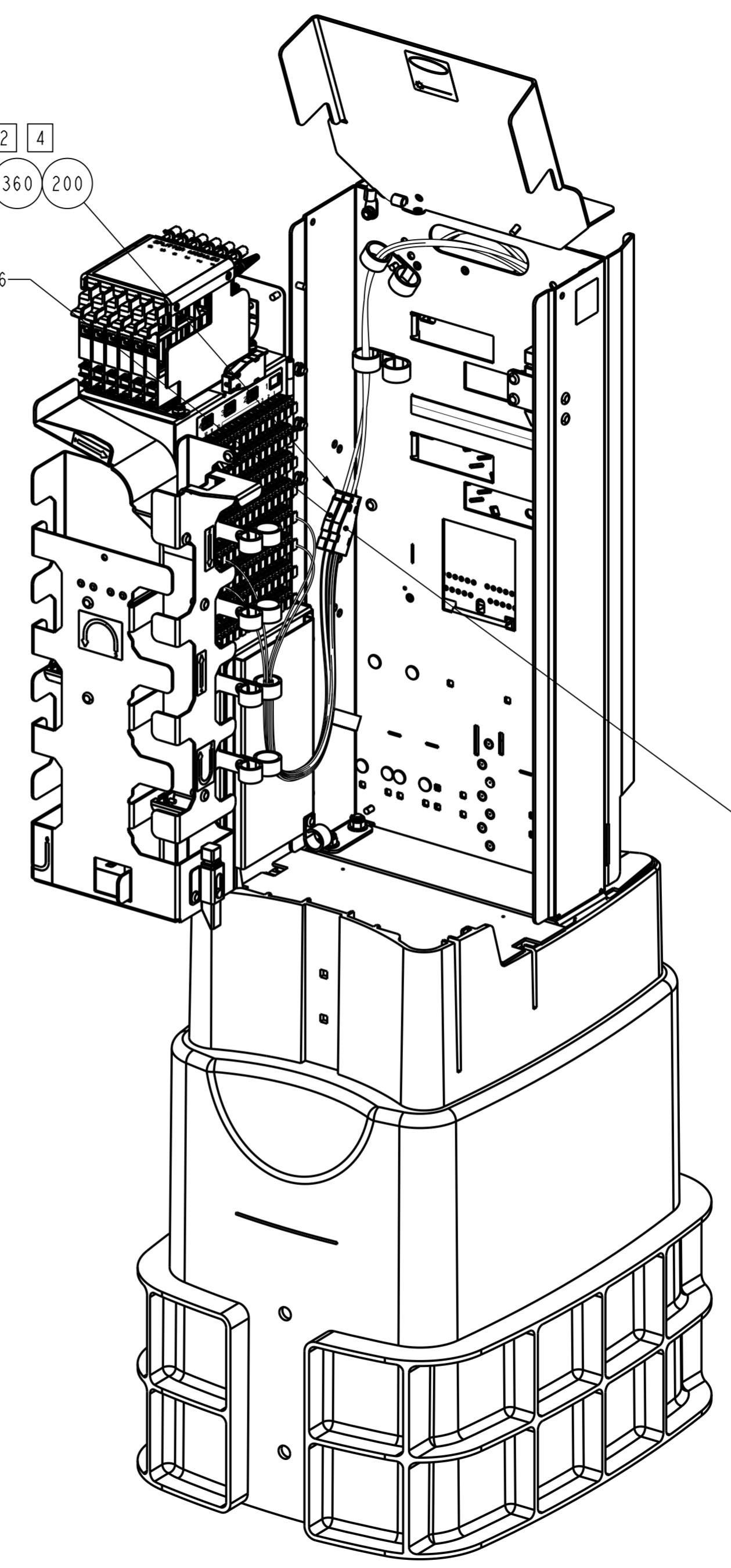


DIST. ROUTING,
FIBERS 49-72
(ONLY IF ON BOM)



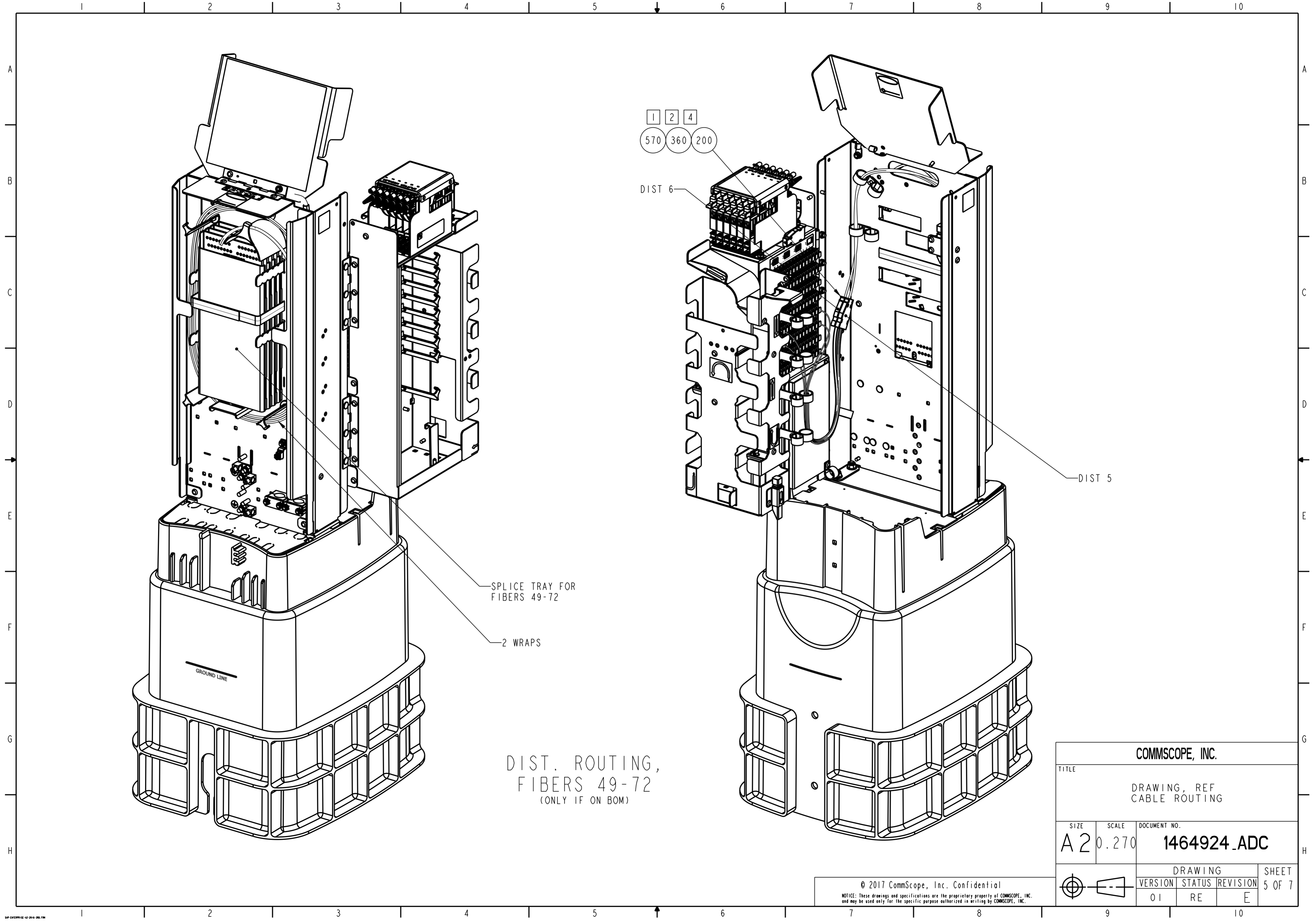
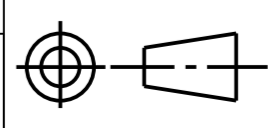
DIST 6

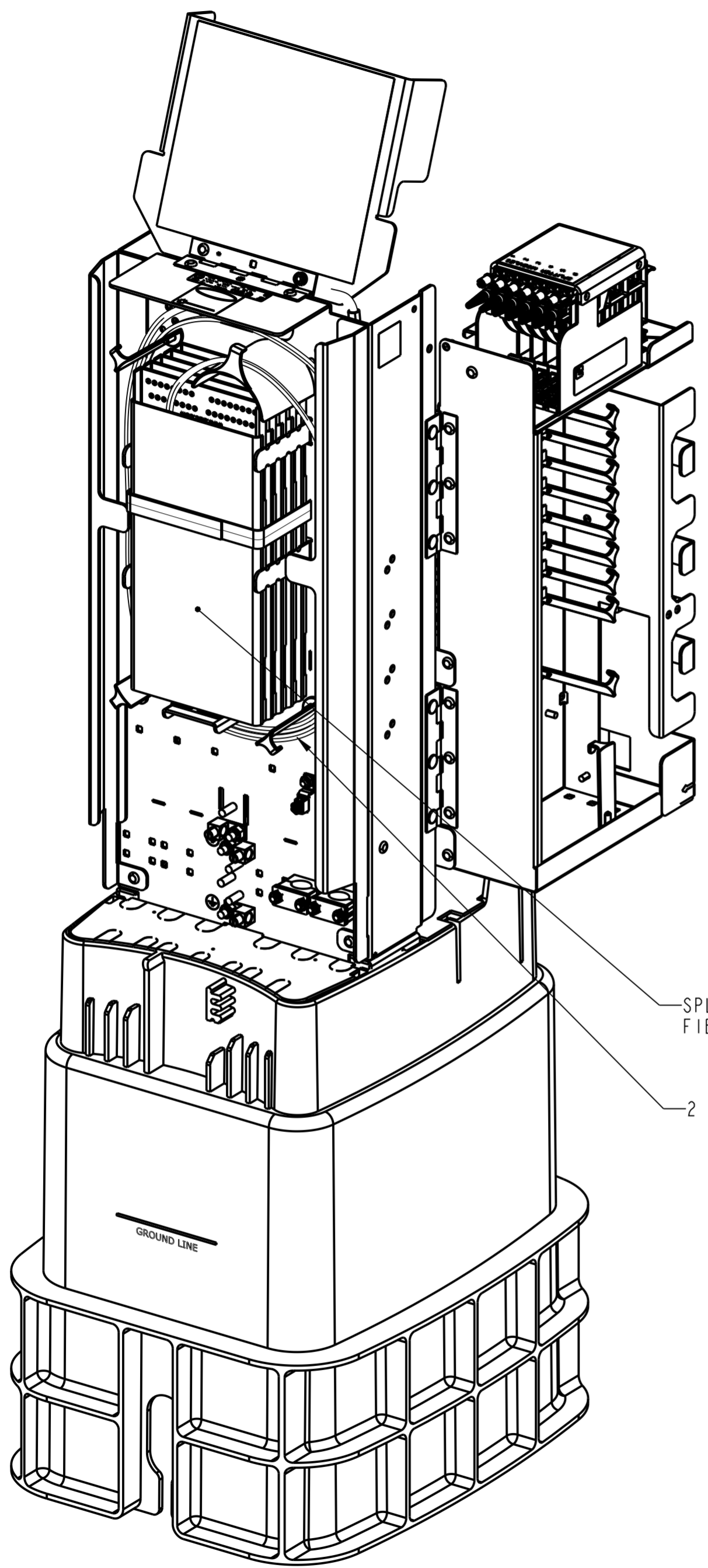
DIST 5



COMMSCOPE, INC.			
TITLE			
DRAWING, REF CABLE ROUTING			
SIZE	SCALE	DOCUMENT NO.	
A2	0.270	1464924_ADC	
DRAWING			SHEET
VERSION	STATUS	REVISION	5 OF 7
01	RE	E	

© 2017 CommScope, Inc. Confidential
 NOTICE: These drawings and specifications are the proprietary property of COMMSCOPE, INC. and may be used only for the specific purpose authorized in writing by COMMSCOPE, INC.

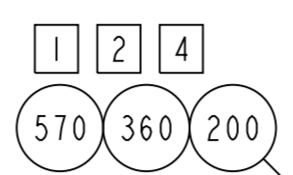




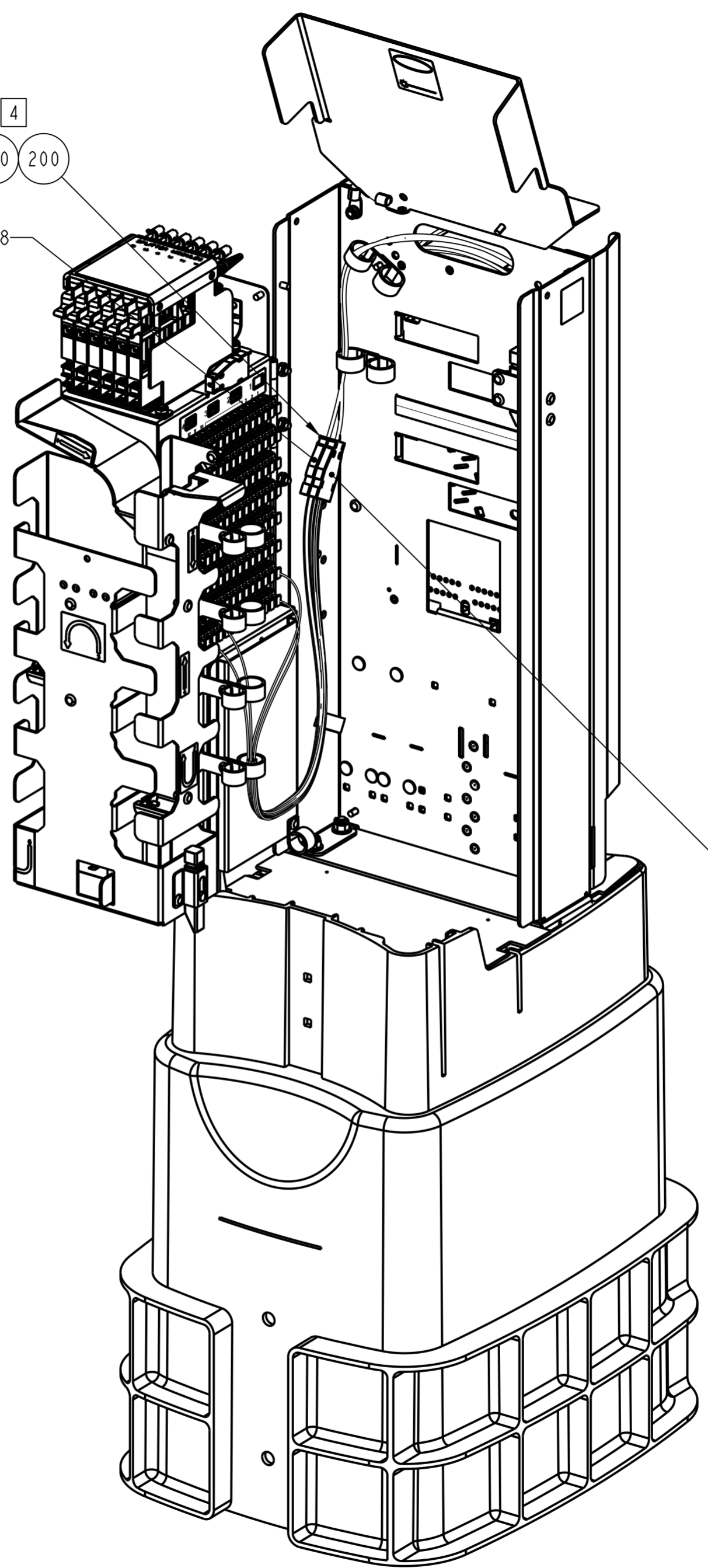
SPLICE TRAY FOR FIBERS 73-96
2 WRAPS

GROUND LINE

DIST. ROUTING,
FIBERS 73-96
(ONLY IF ON BOM)



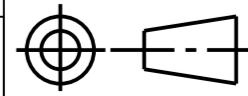
DIST 8

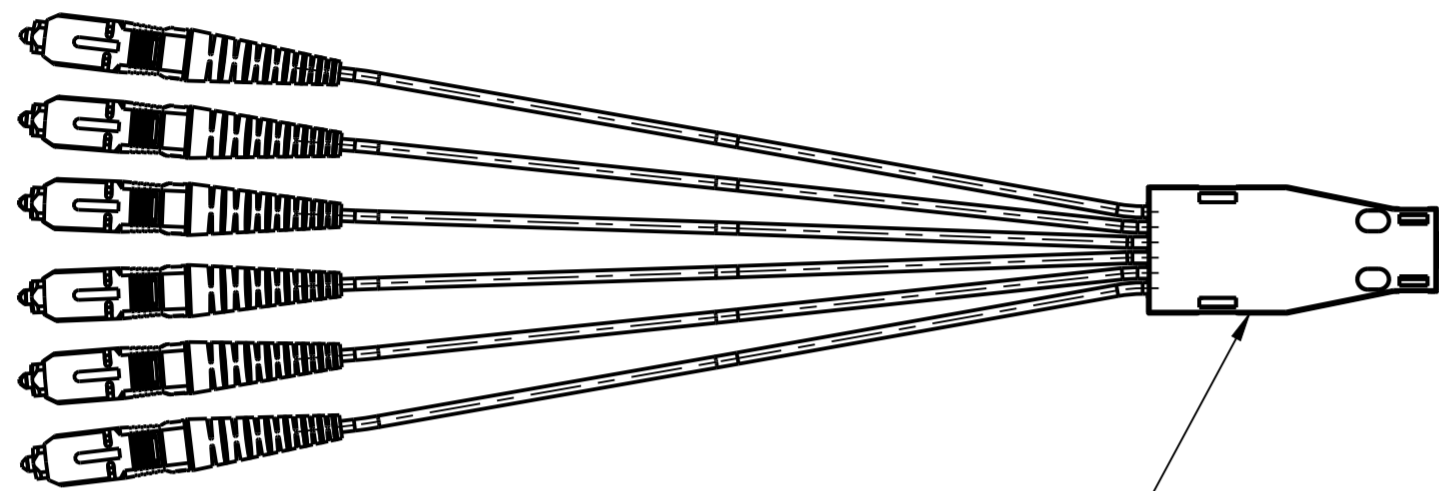


DIST 7

COMMSCOPE, INC.			
TITLE DRAWING, REF CABLE ROUTING			
SIZE A2	SCALE 0.270	DOCUMENT NO. 1464924_ADC	
DRAWING			SHEET
VERSION STATUS REVISION			6 OF 7
01 RE E			

© 2017 CommScope, Inc. Confidential
NOTICE: These drawings and specifications are the proprietary property of COMMSCOPE, INC. and may be used only for the specific purpose authorized in writing by COMMSCOPE, INC.



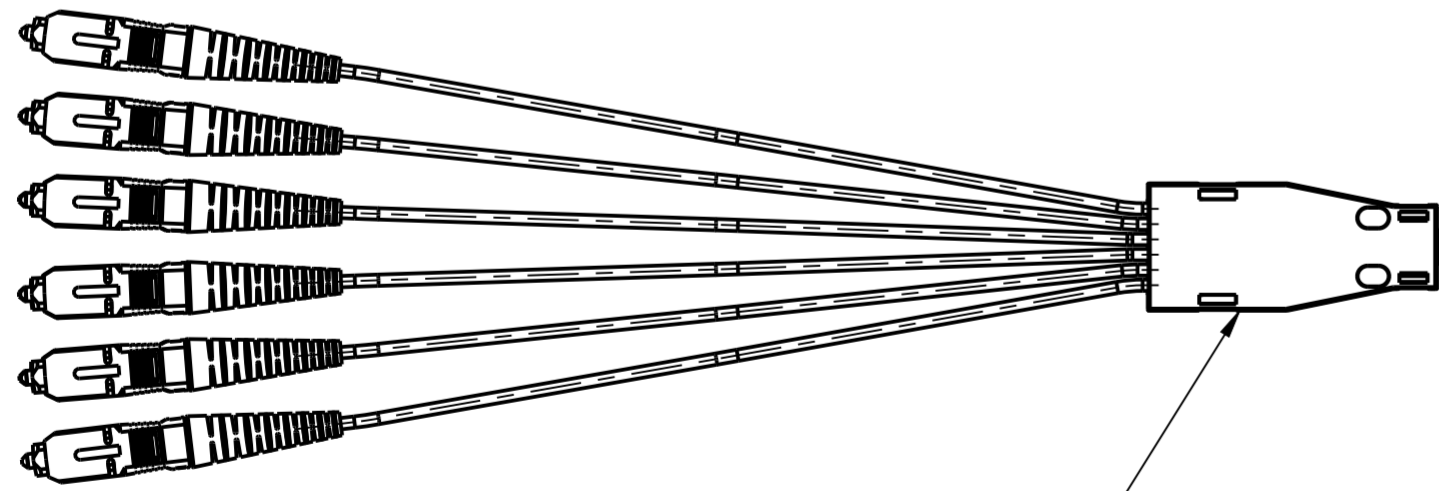
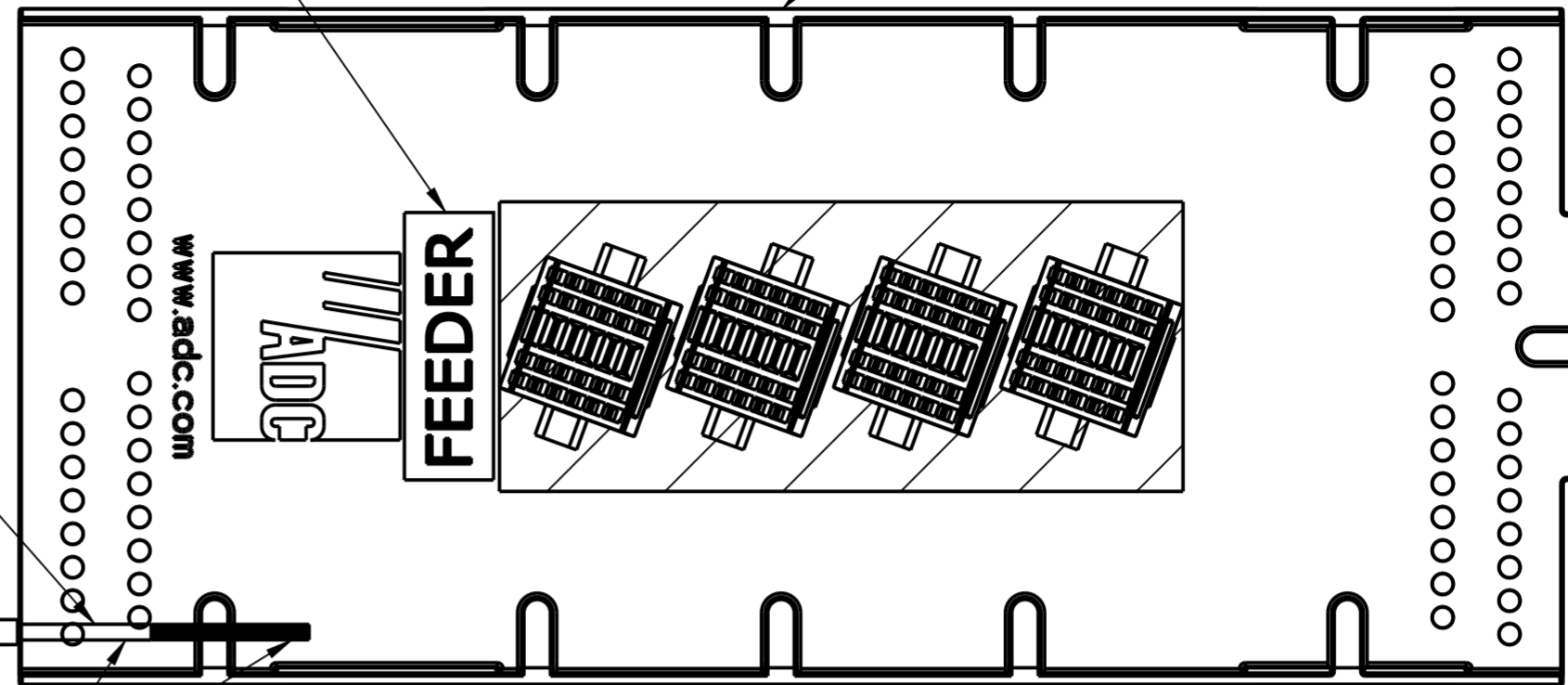


1 2 201

FEEDER CABLE

3 4 090 700

570
LABEL #1

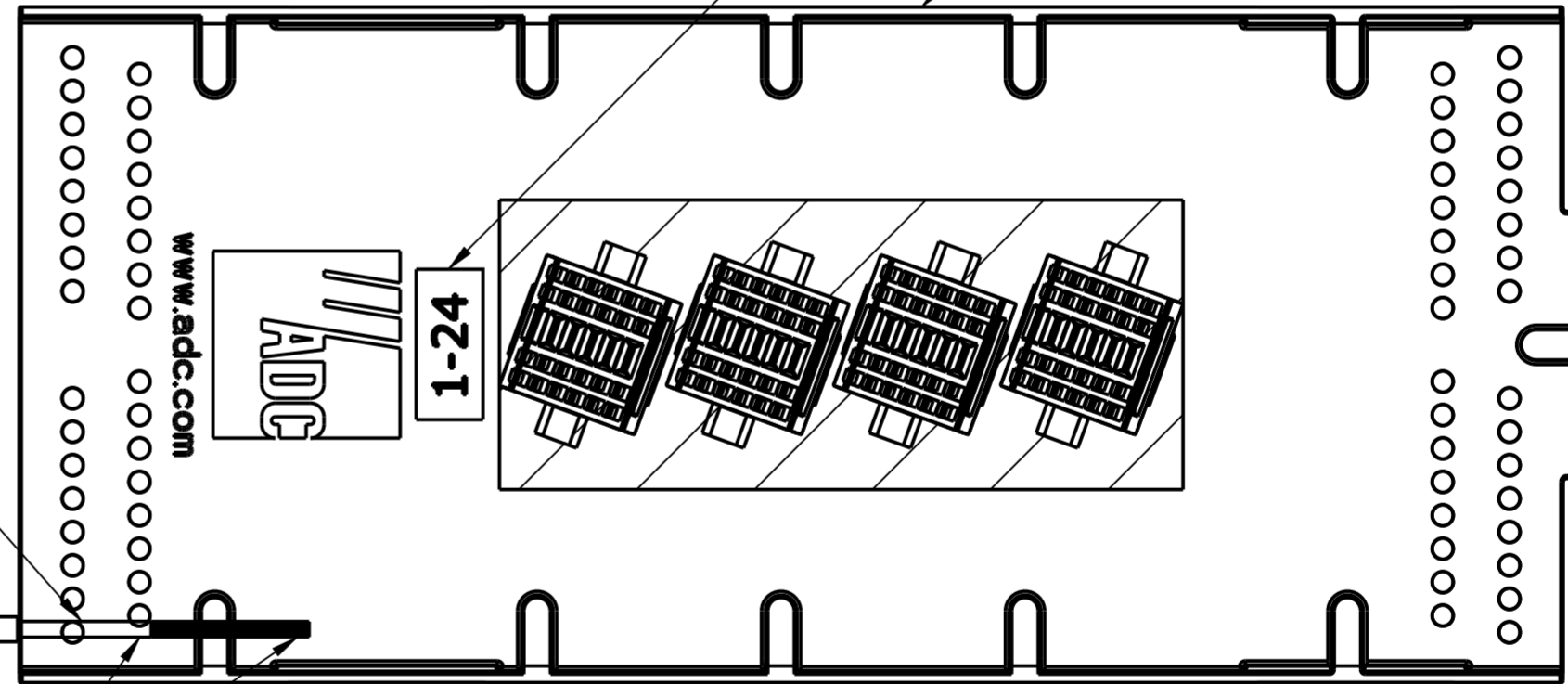


1 2 200

DISTRIBUTION CABLE 1

3 4 090 700

570
LABEL #2



COMMSCOPE, INC.			
TITLE DRAWING, REF CABLE ROUTING			
SIZE A2	SCALE 0.750	DOCUMENT NO. 1464924 .ADC	
DRAWING			SHEET
VERSION 01	STATUS RE	REVISION E	7 OF 7

© 2017 CommScope, Inc. Confidential
 NOTICE: These drawings and specifications are the proprietary property of COMMSCOPE, INC. and may be used only for the specific purpose authorized in writing by COMMSCOPE, INC.

