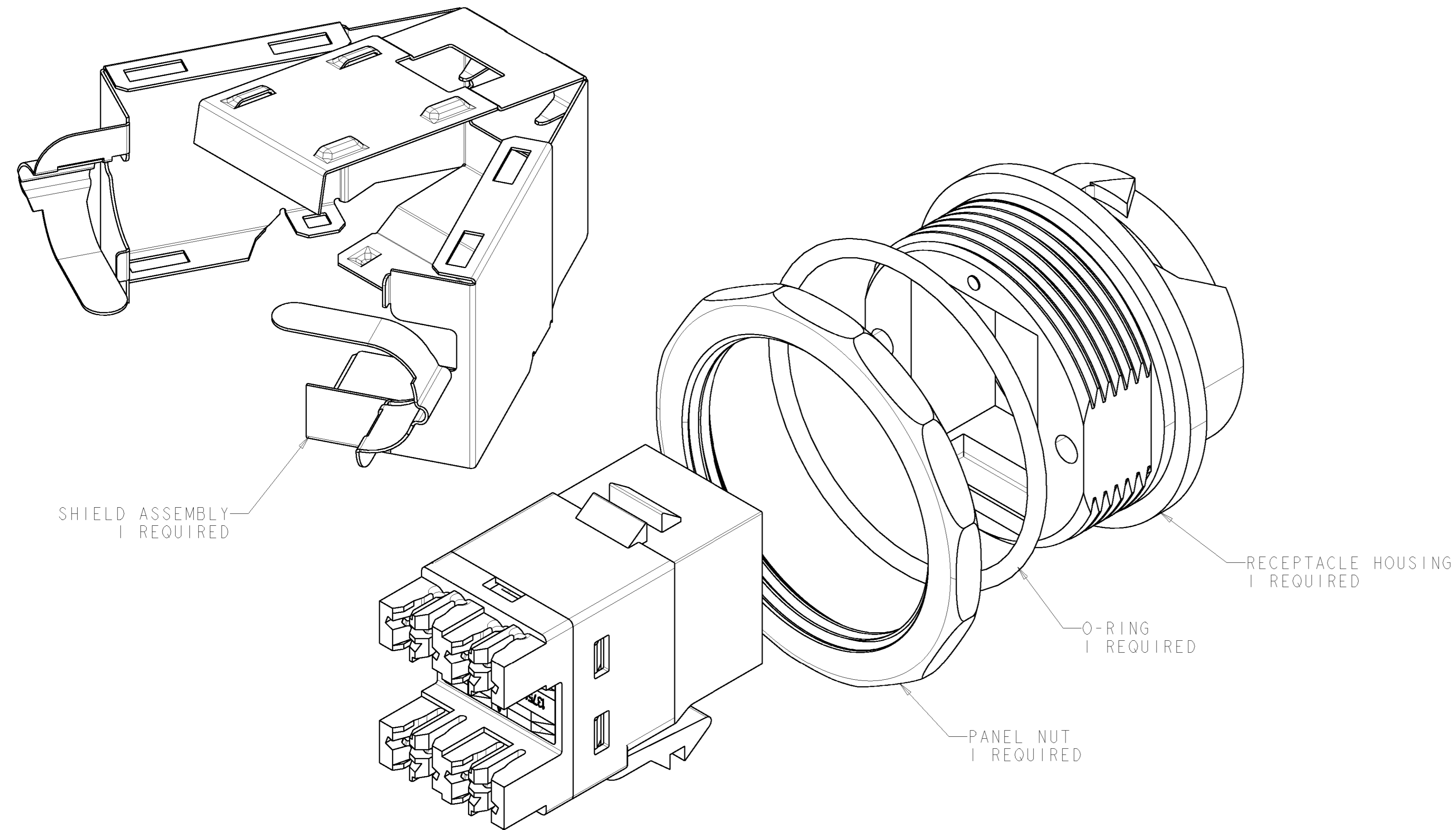
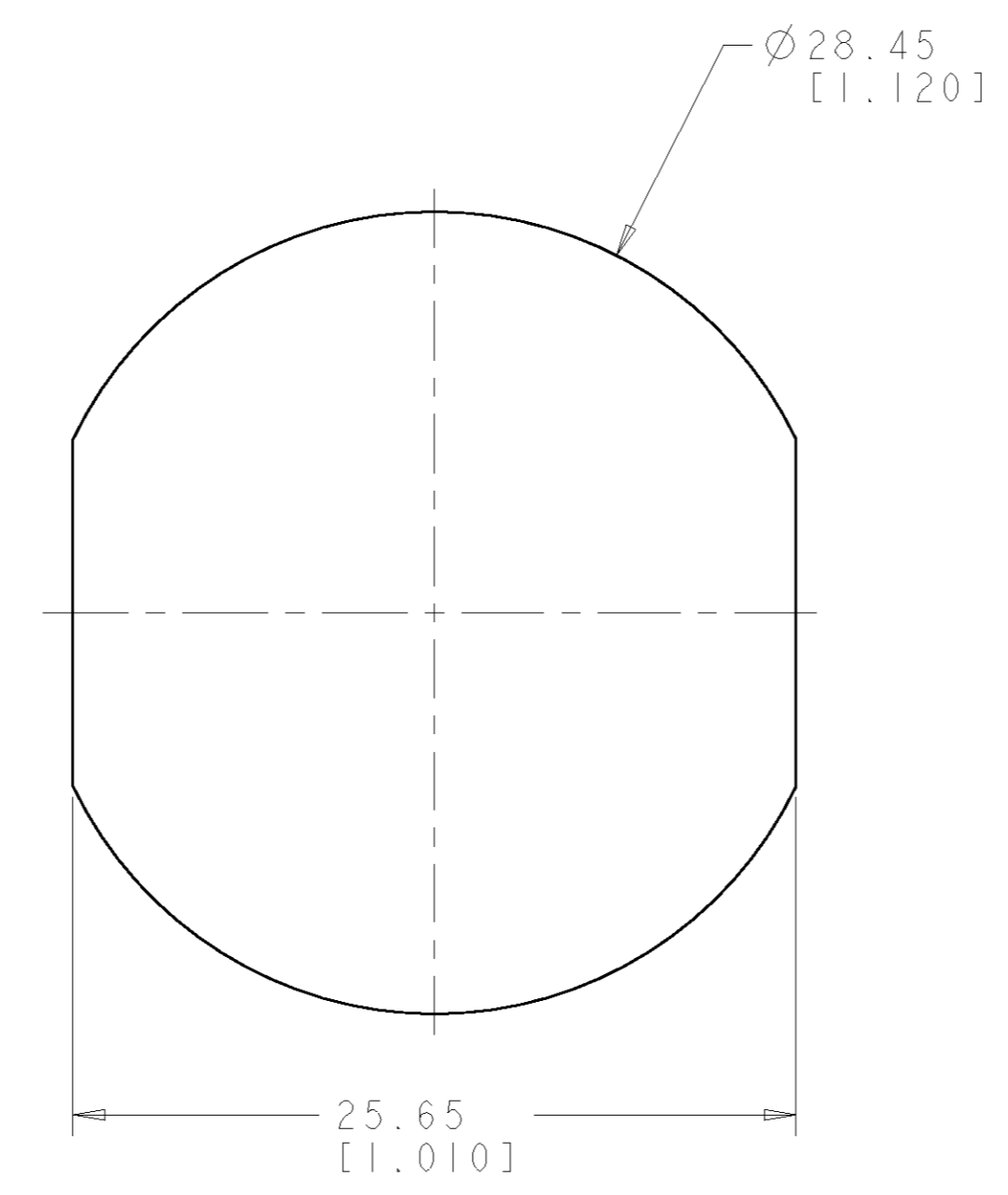


REVISIONS				
P.	LTR.	DESCRIPTION	DATE	APPD.
A	RLSD	NSD04-001	21JAN04	GG CD
B	REV PER	BNS_CD_BRAND	14MAR17	GG DC



SL 110  
CAT 6 JACK  
PART NUMBER 1375188-1  
1 REQUIRED



RECOMMENDED PANEL CUTOUT  
SCALE 4:1

- ⚠ MATERIAL: JACK HOUSING - POLYPHENYLENE OXIDE, 94V-0 RATED.  
ARRAY TRAY - PBT POLYESTER.  
110 BLOCK - POLYCARBONATE.  
JACK CONTACTS - BERYLLIUM COPPER, PLATED WITH 1.27µm [0.00050] MINIMUM THICK GOLD IN LOCALIZED AREA AND 3.81µm [0.00150] MINIMUM THICK TIN-LEAD IN SOLDER AREA OVER 1.27µm [0.00050] MINIMUM THICK NICKEL UNDERPLATE.  
SHIELD - COPPER ZINC ALLOY 260 PREPLATED WITH BRIGHT NICKEL.  
IDC TERMINALS - PHOSPHOROUS BRONZE, PLATED WITH 3.81µm [0.0015] MINIMUM THICK BRIGHT TIN-LEAD OVER 1.27µm [0.0005] MINIMUM THICK NICKEL UNDERPLATE.  
RECEPTACLE HOUSING - PBT, 94V-0 RATED.  
O-RING SEALS - BUNA.  
PANEL NUT - NICKEL PLATED BRASS.

- 2. SL 110 JACK WILL TERMINATE 22-24 AWG SOLID CONDUCTORS AND 24 AWG STRANDED CONDUCTORS, 1.14 [0.045] MAXIMUM INSULATION DIAMETER.
- ⚠ SUGGESTED PANEL CUTOUT OPENING.
- ⚠ PACKAGED ONE MODULAR JACK, ONE SHIELD, ONE O-RING, ONE ETHERSEAL HOUSING, AND ONE PANEL NUT, PER POLYBAG. KIT SHIPPED NOT ASSEMBLED.
- ⚠ REFER TO INSTRUCTION SHEET 408-8602 FOR JACK TERMINATION ASSEMBLY INSTRUCTIONS AND 408-8875 FOR ETHERSEAL RECEPTACLE KIT ASSEMBLY INSTRUCTIONS.

BLACK	⚠ 1479566-2
COLOR	PART NUMBER

THIS DRAWING IS A CONTROLLED DOCUMENT.		DWN G. GARRETT	21JAN04	NAME KIT, ETHERSEAL, SHIELDED, CAT 6 SL 110 JACK, FRONT MOUNT, BLACK
DIMENSIONS: MM [INCHES]		CHK C. DOOLEY	21JAN04	
TOLERANCES UNLESS OTHERWISE SPECIFIED:		APPD C. DOOLEY	21JAN04	PRODUCT SPEC
0 PLC	±			APPLICATION SPEC
1 PLC	±			WEIGHT
2 PLC	±			CUSTOMER DRAWING
3 PLC	±			SCALE 4:1
4 PLC	±			SHEET 1 OF 1
ANGLES	±			REV B
MATERIAL	⚠			
FINISH	-			