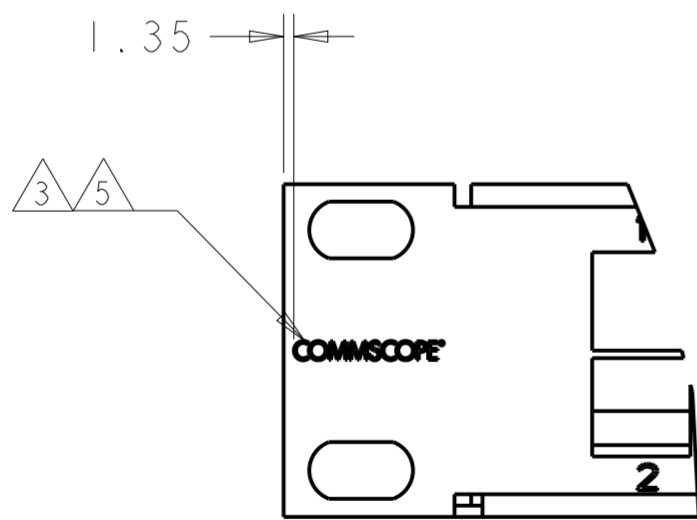
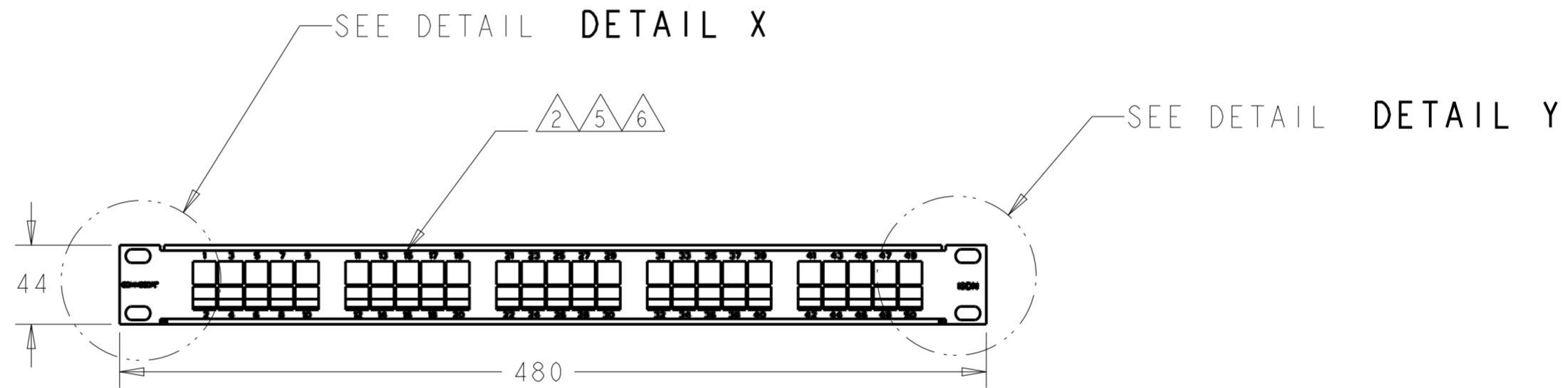
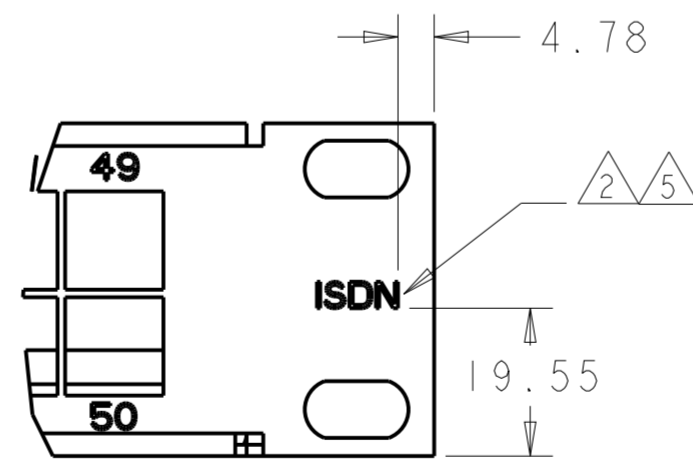


- 1 ADD LABEL PN 2-569889-0 WITH THE PRODUCT PART NUMBER LOCATED APPROX. AS SHOWN.
- 2 TEXT MARKED, FILLED HELVETICA BOLD CHARACTER 3.5 MM HEIGHT. COLOUR ACCORDING TO TABLE.
- 3 COMMSCOPE LOGO PER AM030H1405, VERSION B, ONE COLOR, FILLED. (TRADE MARK NOT REQUIRED)
- 4. PACKING UNIT
PATCH PANEL PACKED INTO CARBOARD BOX
PROVIDED WITH COMMSCOPE LABEL AND INSTRUCTION SHEET 114-93028.
- 5 LOCATE APPROX AS SHOWN. COLOR ACCORDING TO TABLE.
- 6 NUMBERS CENTERED RESPECT TO WINDOW. APPROX AS SHOWN.
- 7. MANUFACTURING REQUIREMENTS:
7.1 CS-EPC-2001 -ENVIRONMENTAL SPECIFICATION FOR ENTERPRISE APPARATUS PRODUCTS.
7.2 EMS0234 - QUALITY SPECIFICATIONS FOR SHEET METAL COMPONENTS PARTS.
7.3 EMS0248 - QUALITY REQUIREMENTS FOR PRINTED PRODUCTS.
- 8 PRODUCT ACCORDING TO PROCESS SPECIFICATION 118-93041.
- 9. GROUNDING SUPPLIED ASSEMBLED.



DETAIL DETAIL X
SCALE 1:1



DETAIL DETAIL Y
SCALE 1:1

| | | | | |
|--------------------------|------------------------------|--------------|----------------------|--------------|
| RAL 5017 BLUE | RAL 7035, GREY | E | 1711214-3 | 8 |
| RAL 9003 WHITE | RAL 9005, BLACK | E | 1711214-2 | 8 |
| RAL 5017 BLUE | RAL 7032 GREY OLD | E | 1711214-1 | 8 |
| TEXT AND LOGO COLOR | COLOR | PART REV. | PART NUMBER | |

OBSOLETE

| | | | |
|-------------|-------------|--------------------------|------------|
| DWN | 08 JUL 2004 | MATERIAL | HEAT TREAT |
| R. MATEO | | - | - |
| CHK | 08 JUL 2004 | COMMSCOPE, INC. | |
| A. CARRERAS | | | |
| APVD | 08 JUL 2004 | | |
| J. SANABRA | | NAME PHONE PANEL 50 PORT | |
| SCALE | SIZE | DRAWING NO | SHEET |
| 1:2 | A2 | 1711214 | 1 OF 1 |
| | | | REV |
| | | | F |

| | | | | |
|-----|------------------------|-----------|-----|------|
| F | REV PER ECN 8000017490 | 15NOV2016 | GG | AS |
| LTR | REVISION RECORD | DATE | DWN | APVD |

| | |
|-----------------|--|
| DIMENSIONS: | TOLERANCES UNLESS OTHERWISE SPECIFIED: |
| mm | |
| 0 PLC | ± |
| 1 PLC | ±0.3 |
| 2 PLC | ±0.20 |
| 3 PLC | ± |
| 4 PLC | ± |
| ANGLES: | |
| SURFACE TEXTURE | √ |

OUTSIDE VENDOR: YFC BonEagle