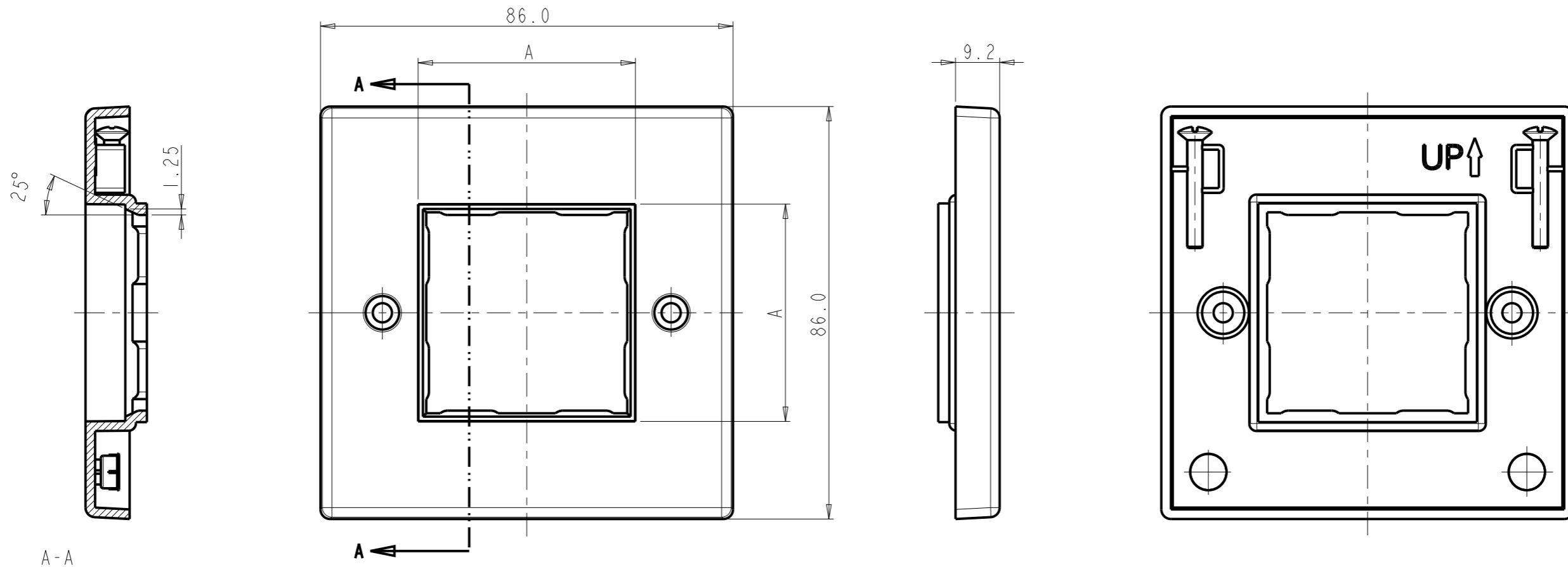


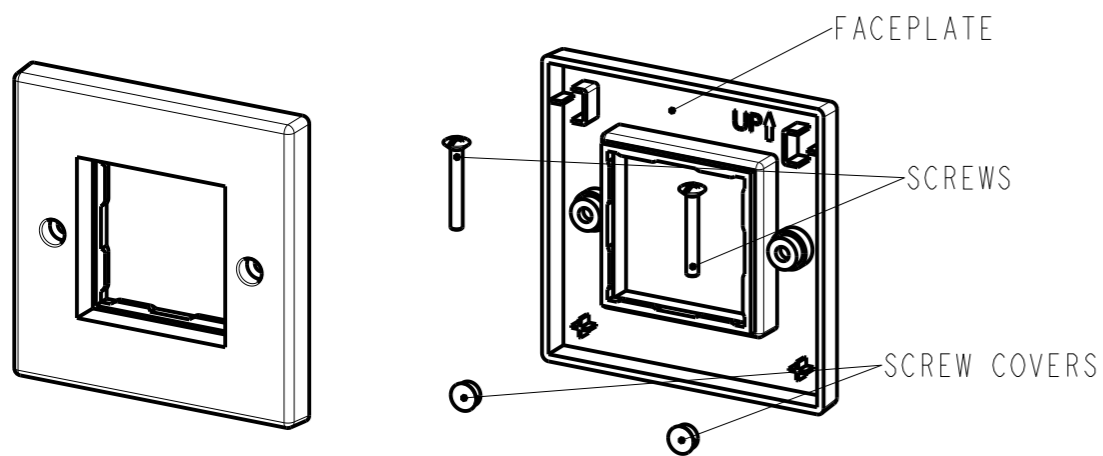
THIS DRAWING IS UNPUBLISHED. RELEASED FOR PUBLICATION

© 2016 COMMSCOPE, INC. CONFIDENTIAL NOTICE: THESE DRAWINGS AND SPECIFICATIONS ARE THE PROPRIETARY PROPERTY OF COMMSCOPE, INC. AND MAY BE USED ONLY FOR THE SPECIFIC PURPOSE AUTHORIZED IN WRITING BY COMMSCOPE, INC.

REVISIONS					
P	LTR	DESCRIPTION	DATE	DWN	APVD
	D	REV PER ECN 8000019152	18JAN2017	GG	LS



1. PRODUCT DESCRIPTION:
FACEPLATE 45x45 UNLOADED
2. PLASTIC COLOUR: WHITE RAL 9010



ACTIVE	D	45.30±0.05	1-1711307-1
STATUS	REV	A	PART NUMBER

THIS DRAWING IS A CONTROLLED DOCUMENT.		DWN	M. PANADERO	15JUN2005
DIMENSIONS:		CHK	A. CARRERAS	15JUN2005
mm	TOLERANCES UNLESS OTHERWISE SPECIFIED:	APVD	J. SANABRA	15JUN2005
0 PLC	±-	PRODUCT SPEC		-
1 PLC	±0.2	APPLICATION SPEC		-
2 PLC	±0.10	WEIGHT		-
3 PLC	±-	CUSTOMER DRAWING		SCALE
4 PLC	±-	MATERIAL		-
ANGLES	±-	FINISH		-

COMMSCOPE, INC.			
NAME FACEPLATE 45x45 UNLOADED			
SIZE	CAGE CODE	DRAWING NO	RESTRICTED TO
A3		C-1711307	-
SHEET		OF	REV D