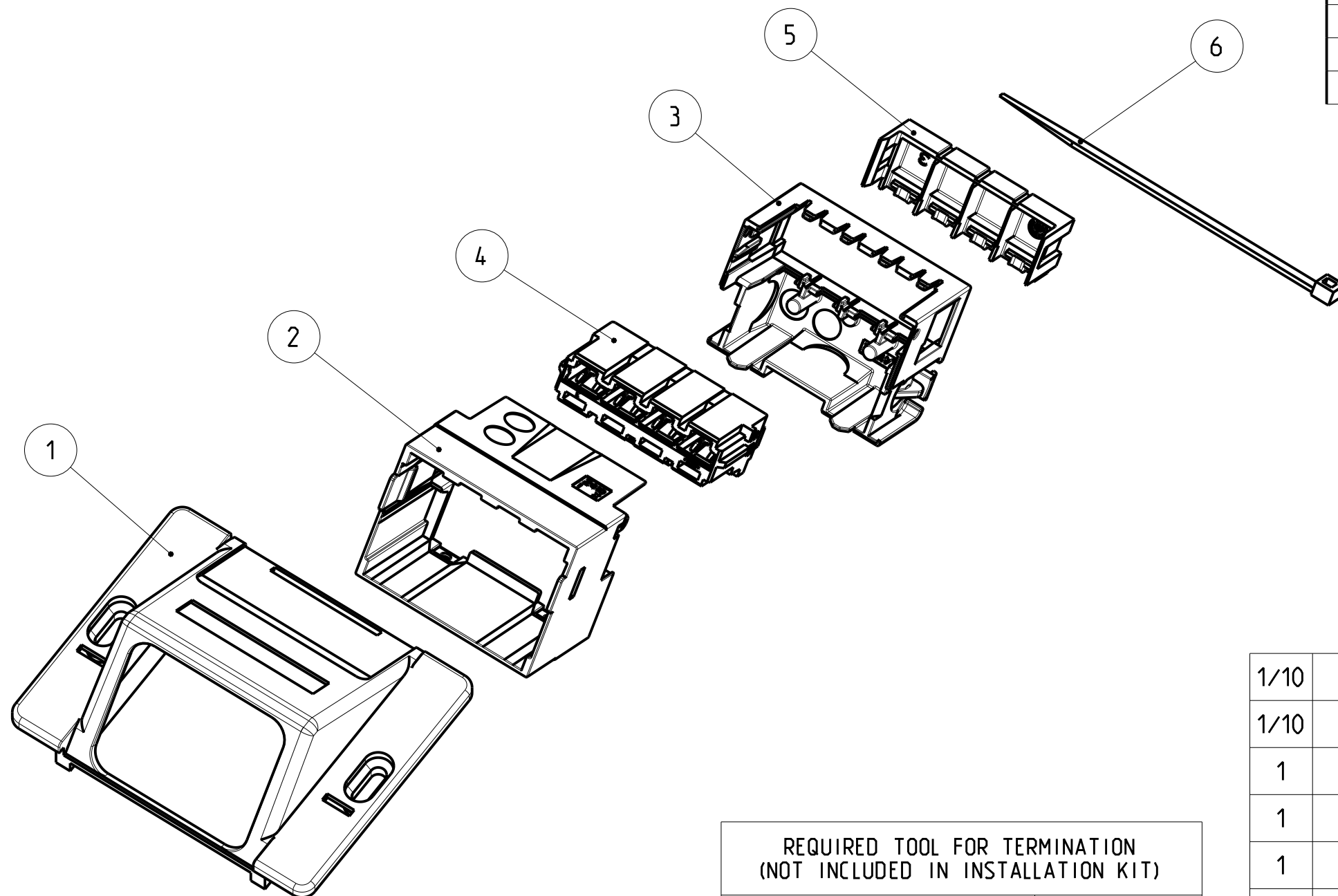


THIS DRAWING IS UNPUBLISHED. RELEASED FOR PUBLICATION

© 2016 COMMSCOPE, INC. CONFIDENTIAL NOTICE: THESE DRAWINGS AND SPECIFICATIONS ARE THE PROPRIETARY PROPERTY OF COMMSCOPE, INC. AND MAY BE USED ONLY FOR THE SPECIFIC PURPOSE AUTHORIZED IN WRITING BY COMMSCOPE, INC.

REVISIONS					
P	LTR	DESCRIPTION	DATE	DWN	APVD
	A	RELEASED	11JUL2011	LC	JS
	B	REV PER BNS_CD_BRAND	03FEB2017	GG	DC



1. PACKAGING UNIT:
 10 INSTALLATION KITS
 + 1 APPLICATION SPEC. 114-93018
 + 1 APPLICATION SPEC. 114-93021
 PACKED INTO CARDBOARD BOX

1/10	APPL. SPEC. FLOOR BOX 114-93021	8
1/10	APPL. SPEC. HOUSING 114-93018	7
1	CABLE TIE	6
1	COVER SHIELDED EDGE CONNECTOR	5
1	SUBASSY SHIELDED EDGE CONNECTOR	4
1	BACK AMP CO HOUSING WITH LABEL	3
1	FRONT AMP CO HOUSING WITHOUT DOVETAIL	2
1	70x58 ANGLED FLOOR BOX AMP CO FACEPLATE /Almond	1
-1		
QTY	DESCRIPTION	ITEM

ACCESSORY PARTS (NOT INCLUDED IN INSTALLATION KIT)	
DESCRIPTION	PART NUMBER
AMP CO INSERTS	SEE CATALOGUE
LABELS FOR AMP CO DUAL INSERTS	2-0101021-X
IDENTIFICATION ICONS	Y-0558176-X Y-0558198-X Y-0558199-X Y-0558821-X Y-1375092-X

REQUIRED TOOL FOR TERMINATION (NOT INCLUDED IN INSTALLATION KIT)	
DESCRIPTION	PART NUMBER
PISTOL-GRIP TOOL	1711500-1
ADAPTER FOR AMP CO ULTRA	1711784-2
ALTERNATIVE TOOL: IMPACT TOOL	1375308-1 1583608-1

THIS DRAWING IS A CONTROLLED DOCUMENT.

DIMENSIONS:	TOLERANCES UNLESS OTHERWISE SPECIFIED:
mm	
	0 PLC ±
	1 PLC ±
	2 PLC ±
	3 PLC ±
	4 PLC ±
	ANGLES ±
MATERIAL	FINISH
-	-

DWN	L. COBACHO	11JUL2011	<h1>COMMSCOPE, INC.</h1> <p>AMP CO ULTRA INSTALLATION KIT DIN 70x58 FLOOR BOX</p>		
CHK	J. GATNAU	11JUL2011			
APVD	J. SANABRA	11JUL2011			
PRODUCT SPEC					
108-93037			NAME		
APPLICATION SPEC 114-93018			SIZE	CAGE CODE	DRAWING NO
- 114-93021			A3	-	C-1711855
WEIGHT			RESTRICTED TO		
-			-		
CUSTOMER DRAWING			SCALE	SHEET	REV
			1:1	1 OF 1	B