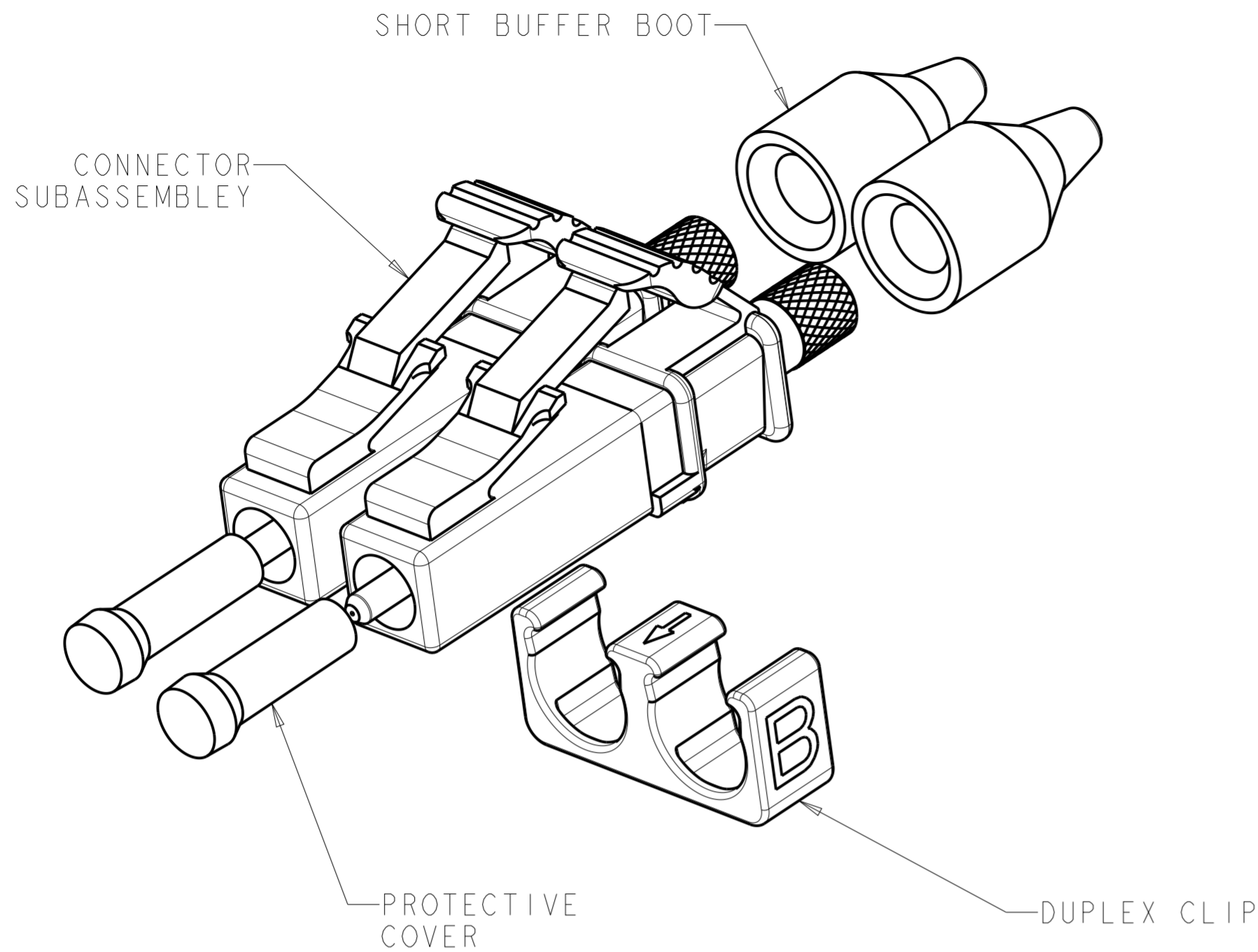


THIS DRAWING IS UNPUBLISHED. RELEASED FOR PUBLICATION 20
 © 2016 COMMSCOPE, INC. CONFIDENTIAL NOTICE: THESE DRAWINGS AND SPECIFICATIONS ARE THE PROPRIETARY PROPERTY OF COMMSCOPE, INC. AND MAY BE USED ONLY FOR THE SPECIFIC PURPOSE AUTHORIZED IN WRITING BY COMMSCOPE, INC.

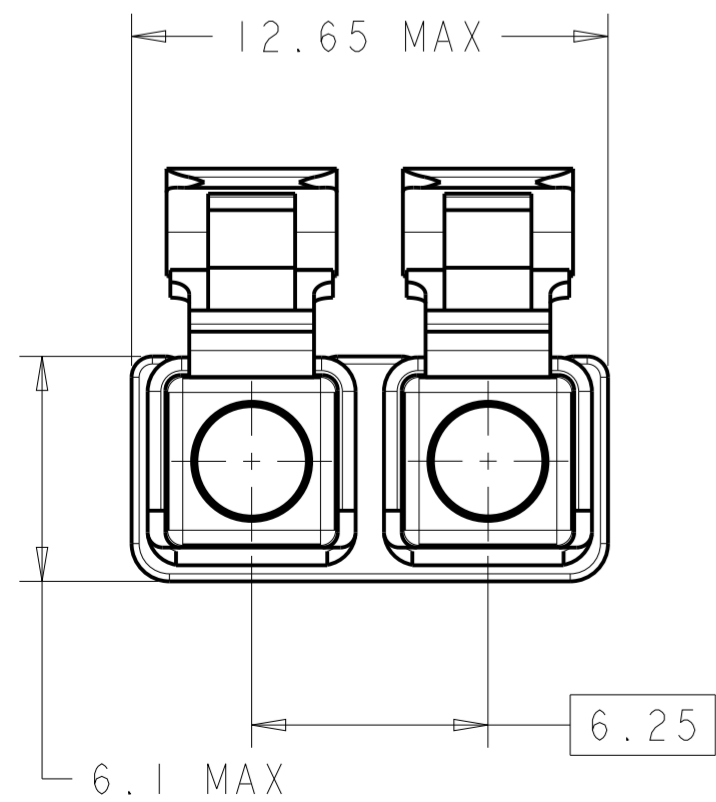
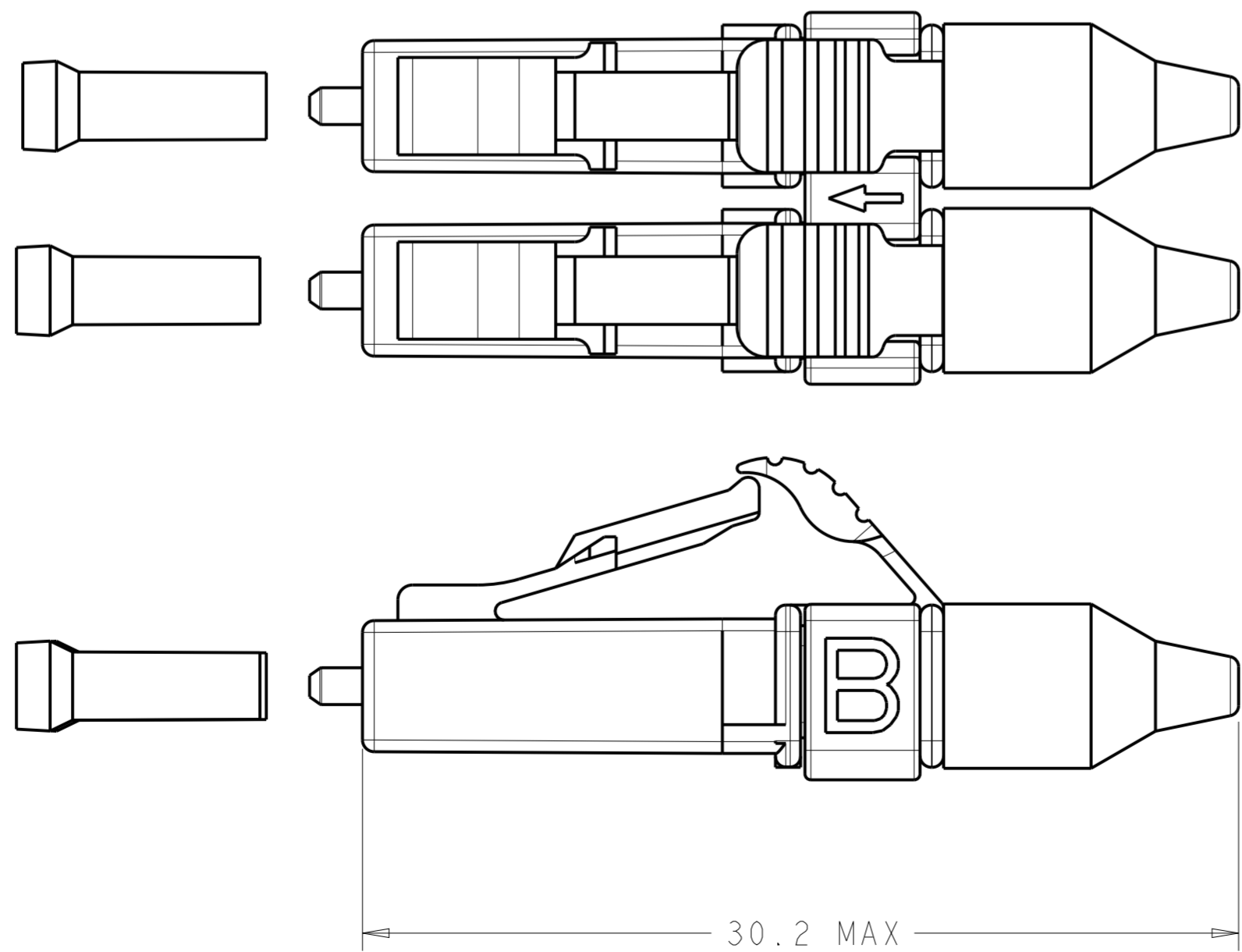
REVISIONS				
P	LTR	DESCRIPTION	DATE	APVD
D		REVISE ECO-14-018881	17DEC2014	GG TE
E		REV PER ECN 8000018382	23FEB2017	GG TE



1 MATERIAL
 PROTECTIVE COVER: PP/PE COPOLYMER, CLEAR
 FERRULE SUBASSEMBLY: ZIRCONIA/METAL
 COMPRESSION SPRING: STAINLESS STEEL
 FRONT HOUSING: PEI, COLOR:BLUE, UL94 V-0*
 INNER TUBING: PTFE, COLOR: CLEAR, UL VW-1
 REAR BODY: METAL
 BOOT: TPE, COLOR: BLUE, UL94 V-0*
 DUPLEX CLIP: PEI, COLOR: BLACK, UL 94 V-0*
 *RATED AT QUALIFYING THICKNESS.

2 BULK PACKAGE.

3. INSTRUCTION SHEET: 408-8675



1918387-2
 1918387-1
 PART NUMBER

THIS DRAWING IS A CONTROLLED DOCUMENT.		DWN B. BRIGGS 03MAY2006	COMMSCOPE, INC.	
		CHK D. ROHDE 03MAY2006		
		APVD S. BUCHTER 03MAY2006	NAME KIT, CONNECTOR, LC, DUPLEX, SM, 900um BUFFER	
DIMENSIONS:		PRODUCT SPEC		
TOLERANCES UNLESS OTHERWISE SPECIFIED:		APPLICATION SPEC		
mm	0 PLC ± 1 PLC ± 2 PLC ± 3 PLC ± 4 PLC ± ANGLES ± FINISH -	WEIGHT -		
MATERIAL		SIZE A200779		DRAWING NO C-1918387
		Customer Drawing		RESTRICTED TO -
		SCALE 5:1	SHEET OF	REV E