

THIS DRAWING IS UNPUBLISHED. RELEASED FOR PUBLICATION  
 © 2016 COMMSCOPE, INC. CONFIDENTIAL NOTICE: THESE DRAWINGS AND SPECIFICATIONS ARE THE PROPRIETARY PROPERTY OF COMMSCOPE, INC. AND MAY BE USED ONLY FOR THE SPECIFIC PURPOSE AUTHORIZED IN WRITING BY COMMSCOPE, INC.

CE		00		REVISIONS			
P	LTR	DESCRIPTION	DATE	DWN	APVD		
D		REV PER ECO-12-019824	13NOV2012	JM	TE		
E		REBRANDING	17DEC2016				

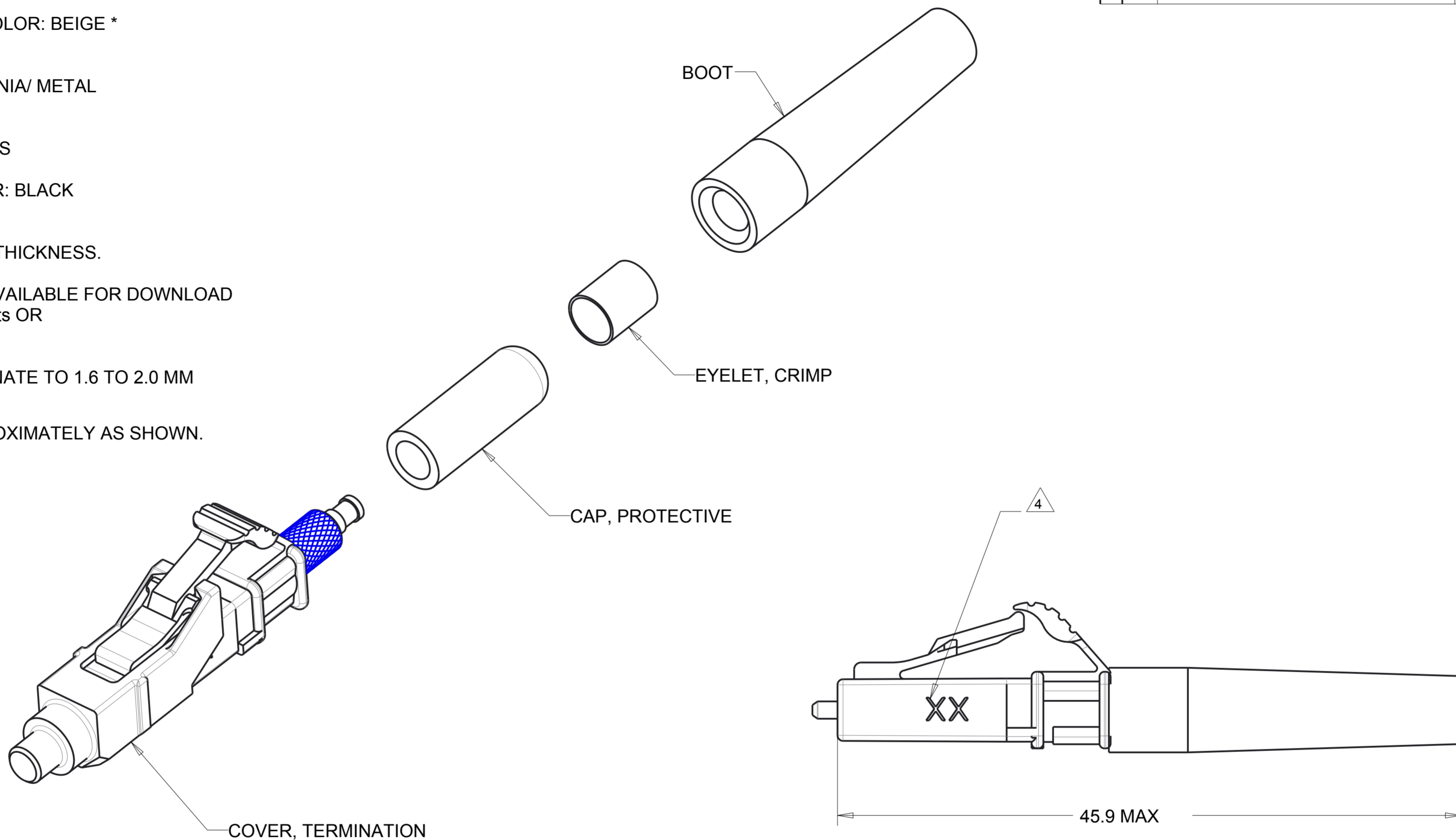
- 1 MATERIAL:  
 CONNECTOR ASSEMBLY:  
 CONNECTOR HOUSING: PPSU, COLOR: BEIGE \*  
 REAR BODY: METAL  
 COMPRESSION SPRING: METAL  
 FERRULE SUB ASSEMBLY: ZIRCONIA/ METAL  
 INTERNAL SPLICE: PEI \*  
 PLUNGER: METAL  
 BOOT: TPE, COLOR: SEE DASH NO'S  
 EYELET: TIN PLATED BRASS  
 TERMINATION COVER: PBT, COLOR: BLACK  
 PROTECTIVE CAP: VINYL

\* UL94 V-0 RATED AT QUALIFYING THICKNESS.

2. INSTRUCTION SHEET: 408-10103 AVAILABLE FOR DOWNLOAD  
 AT [www.tycoelectronics.com/documents](http://www.tycoelectronics.com/documents) OR  
[www.ampnetconnect.com/fpguide](http://www.ampnetconnect.com/fpguide).

3. IMPORTANT: THIS KIT WILL TERMINATE TO 1.6 TO 2.0 MM  
 LOOSE JACKETED CABLE ONLY.

4 MARK WITH MM LOCATED APPROXIMATELY AS SHOWN.



AQUA	XG 50/125um	1918627-3
BLACK	50/125um	1918627-2
BEIGE	62.5/125um	1918627-1
BOOT COLOR	DESCRIPTION	PART NO.

THIS DRAWING IS A CONTROLLED DOCUMENT.		DWN D ERDMAN 19JUN2006	COMMSCOPE, INC.	
		CHK M GURRERI 19JUN2006		
		APVD D BAECHTLE 19JUN2006	NAME KIT, CONNECTOR, LightCrimp Plus LC SIMPLEX, MM, 1.6 - 2.0MM JACKET	
DIMENSIONS: mm		PRODUCT SPEC -	SIZE A2	RESTRICTED TO -
TOLERANCES UNLESS OTHERWISE SPECIFIED: 0 PLC ± 1 PLC ±0.5 2 PLC ±0.13 3 PLC ±0.013 4 PLC ±0.001		APPLICATION SPEC -	CAGE CODE -	DRAWING NO 1918627
MATERIAL 1		WEIGHT -	SCALE 4:1	SHEET 1 OF 1
		CUSTOMER DRAWING	REV E	