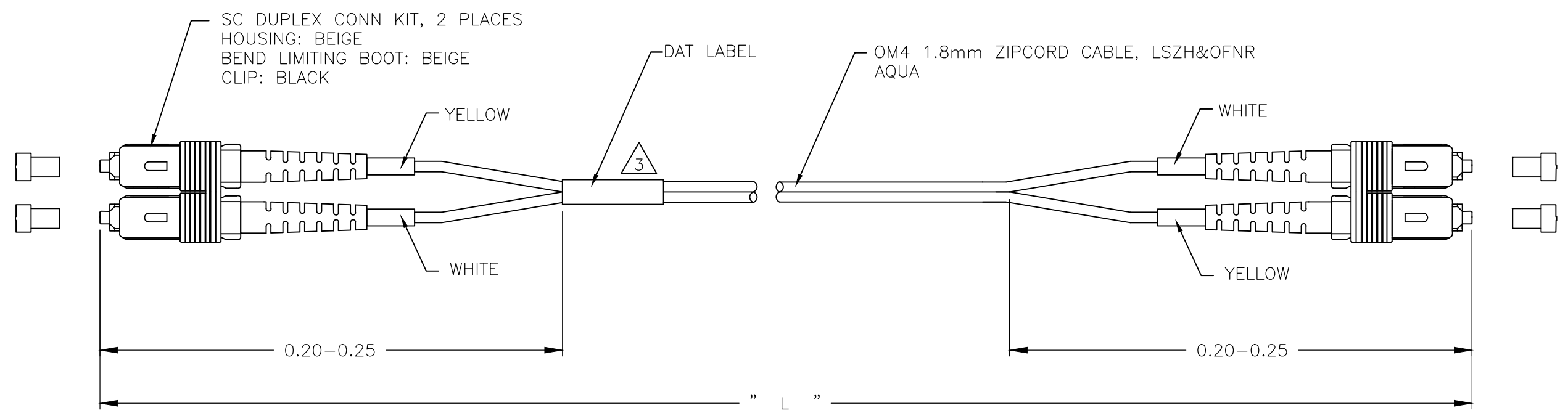


THIS DRAWING IS UNPUBLISHED.      RELEASED FOR PUBLICATION

© 2016 Commscope, INC. Confidential      NOTICE: These drawings and specifications are the proprietary property of COMMSCOPE, INC. and may be used only for the specific purpose authorized in writing by COMMSCOPE, INC.

REVISIONS					
P	LTR	DESCRIPTION	DATE	DWN	APVD
	C	ECN8000021864	12APR2017	M.D	G.W

PART NUMBER	"L" (METER)	TOLERANCE (METER)
X-2105093-Y	XY,0	ACC. TO CUSTOMER DRAWING 1206850




**NOTES:**

1 INSERTION LOSS <= 0.3dB, @ 850nm MEASURED AGAINST REF. CONN  
插入损耗 <= 0.3dB @850nm.

2 TEST DATA SHEET TO BE ENCLOSED WITH UNIT PACKAGE.  
测试数据纸放入单个产品的包装中.

3 LABEL INFORMATION AS BELOW DETAIL.  
标签信息如下:



XXXXXXXXXXXXXXXXXX

x-2105093-y                      COO: China

SC-SC DPX OM4 1.8mm LSZH&OFNR xyM

THIS DRAWING IS A CONTROLLED DOCUMENT.		DWN SHI BI YUN 19SEP10	<b>COMMSCOPE, INC.</b>														
DIMENSIONS: mm		CHK ALLEN GUMP 19SEP10															
TOLERANCES UNLESS OTHERWISE SPECIFIED:		APVD JESSE XU 19SEP10	NAME SC TO SC 1.8mm OM4 DUPLEX, LSZH&OFNR														
<table border="0"> <tr><td>0 PLC</td><td>± -</td></tr> <tr><td>1 PLC</td><td>± -</td></tr> <tr><td>2 PLC</td><td>± -</td></tr> <tr><td>3 PLC</td><td>± -</td></tr> <tr><td>4 PLC</td><td>± -</td></tr> <tr><td>ANGLES</td><td>± -</td></tr> </table>		0 PLC	± -	1 PLC	± -	2 PLC	± -	3 PLC	± -	4 PLC	± -	ANGLES	± -	PRODUCT SPEC -	-		
0 PLC	± -																
1 PLC	± -																
2 PLC	± -																
3 PLC	± -																
4 PLC	± -																
ANGLES	± -																
MATERIAL -		FINISH -	APPLICATION SPEC -	SIZE A3	CAGE CODE 00779												
		WEIGHT -	DRAWING NO C-2105093	RESTRICTED TO -													
CUSTOMER DRAWING			SCALE -	SHEET 1 OF 1	REV C												