

27-3-3 Revision D, October 2018

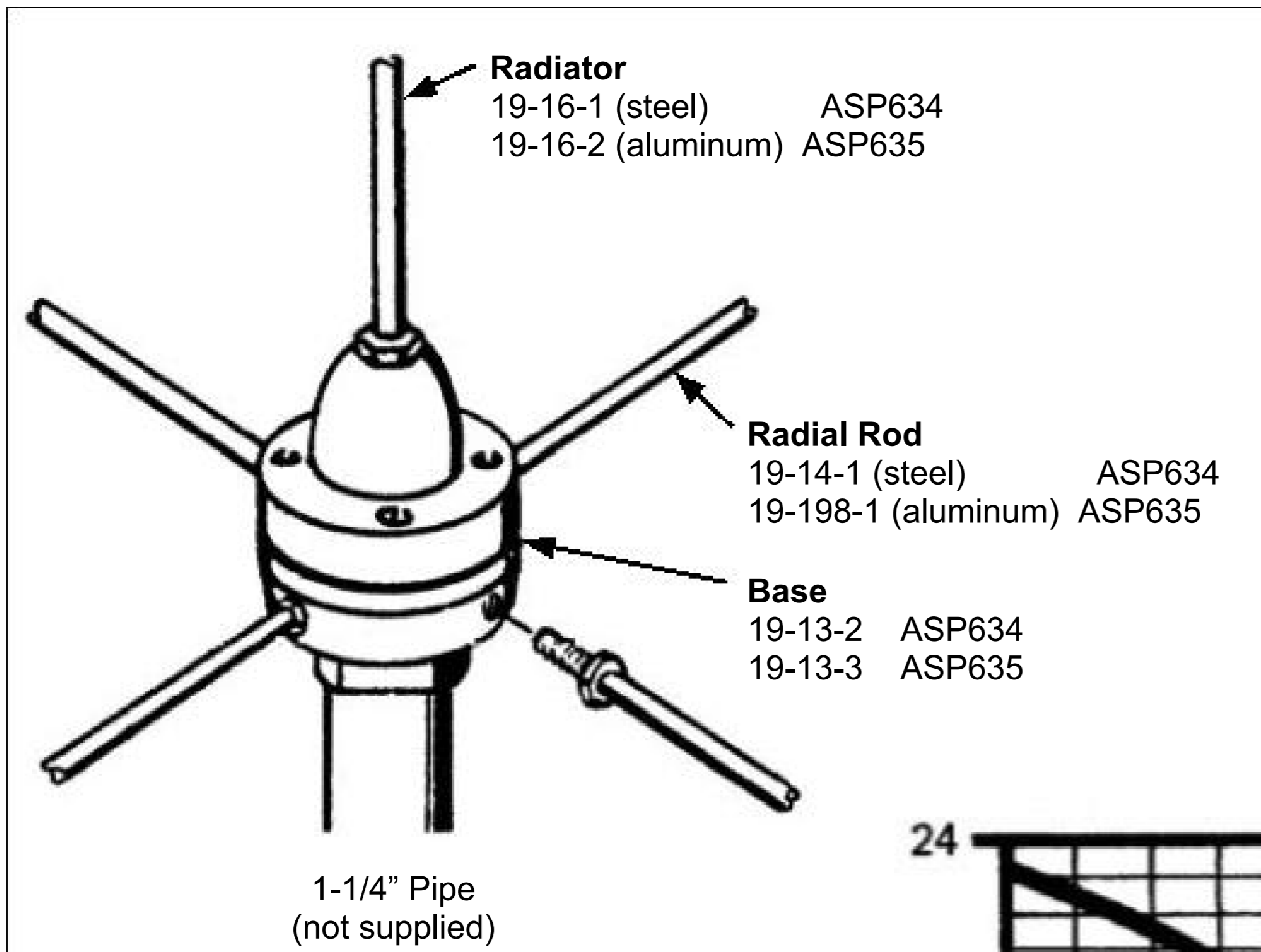
Ground Plane Antennas
ASP634, ASP635, and ASP636

INSTALLATION PROCEDURES

These antennas may be furnished cut to a specific frequency. If no frequency is specified, the longest length is supplied.

1. If the antenna elements are not cut to the desired frequency, see Figures 1 and 2 to determine the length needed. Round off the end of each rod to remove any sharp edges after making any length adjustments.
2. Attach a 50 ohm cable (not supplied) with a PL-259 connector (not supplied) to the connector at the base of the antenna. Mount the antenna on a standard NPSM 1-1/4" threaded pipe (not supplied) running the cable through the pipe. Route the cable to the radio as required.

3. Be sure the pipe and mounting structure are mechanically stable enough to support the antenna under environmental conditions; use guy lines on the structure as required for adequate strength.
4. The use of PTFE or similar lubricant on the threaded portions of the antenna, prior to assembly, will protect from the weather and ease future disassembly.



SAFETY NOTICE

The installation, maintenance, or removal of an antenna requires qualified, experienced personnel. CommScope installation instructions are written for such installation personnel. Antenna systems should be inspected once a year by qualified personnel to verify proper installation, maintenance, and condition of equipment.

CommScope disclaims any liability or responsibility for the results of improper or unsafe installation practices.

It is recommended that transmit power be turned off when the field installation is performed. Follow all applicable safety precautions as shown on this page.

Frequency	Radiator	Radials
406-420 MHz	6"	6-3/4"
420-450 MHz	5-1/2"	6"
450-460 MHz	5"	5"
460-470 MHz	4-3/4"	5"
470-512 MHz	4-1/2"	4"

Note: Lengths are approximate. Use an in-line wattmeter and trim for best VSWR.

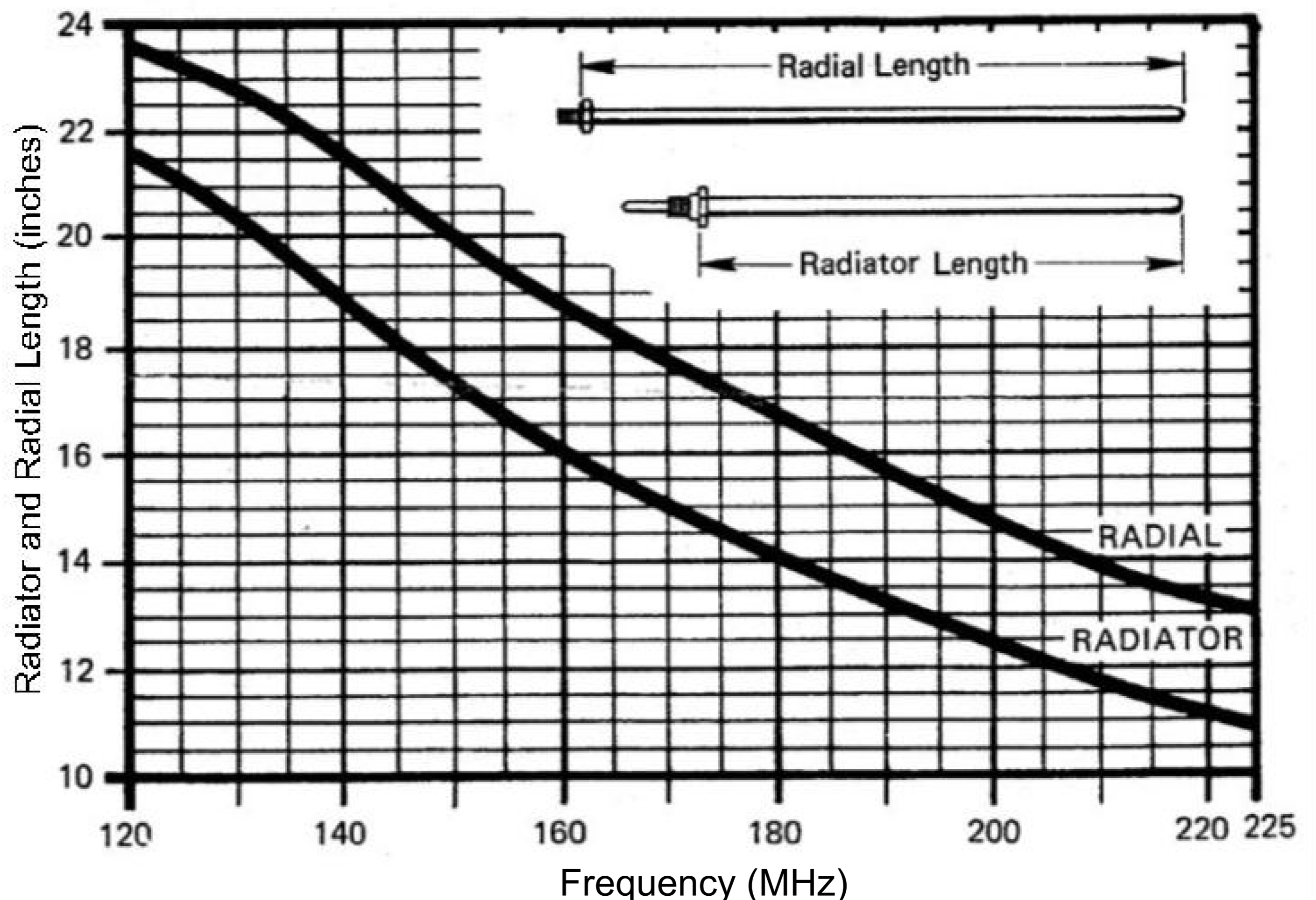


Figure 1. Cutting Information for 120-512 MHz Models.

(Continued on page 2)

(Continued from page 1)

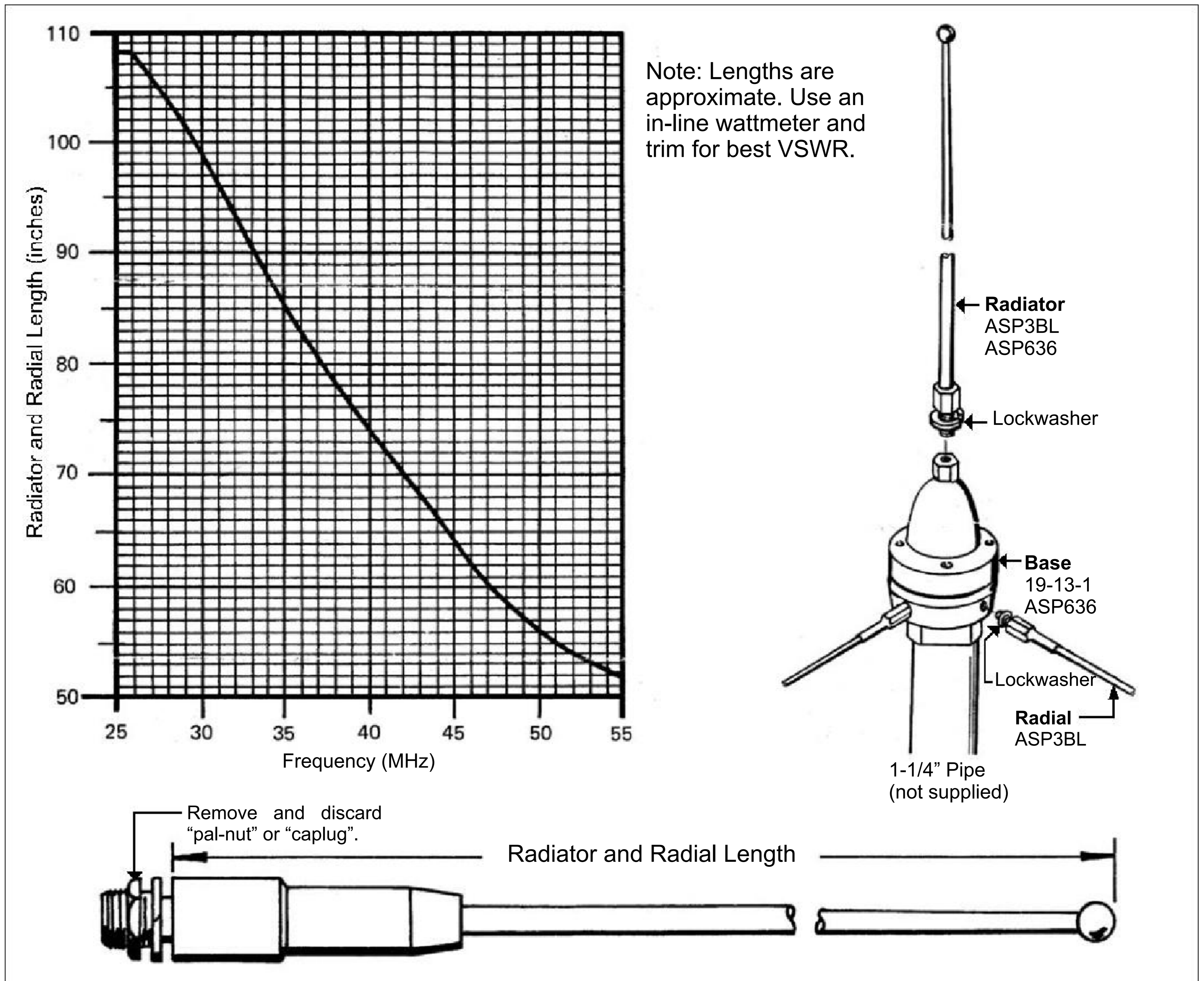


Figure 2. Cutting Information for 25-54 MHz Models.



Do not install near power lines. Power lines, telephonelines, and guywires look the same. Assume any wire or line can electrocute you.



Do not install on a wet or windy day or when lightning or thunder is in the area. Do not use metal ladder.



Wear shoes with rubber soles and heels. Wear protective clothing including a long-sleeved shirt and rubber gloves.