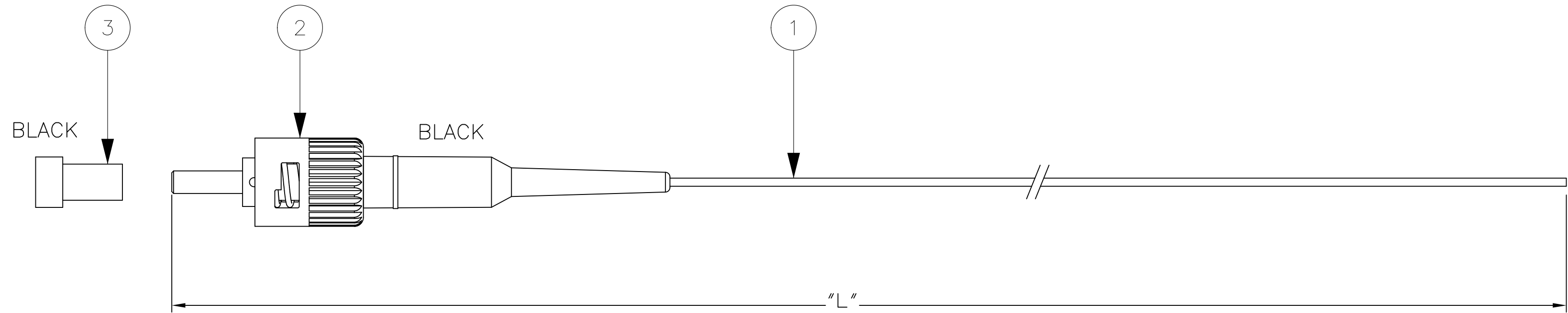


THIS DRAWING IS UNPUBLISHED. RELEASED FOR PUBLICATION
 © 2016 Commscope, INC. Confidential NOTICE: These drawings and specifications are the proprietary property of COMMSCOPE, INC. and may be used only for the specific purpose authorized in writing by COMMSCOPE, INC.

REVISIONS				
P	LTR	DESCRIPTION	DATE	APVD
G		ECN 8000019229 - REBRANDING	20DEC2016	TZ JS



NOTES:

- ATTENUATION \leq 0.3 dB, MEASURED AT 1300nm ACC I.E.C. 61300-3-4
EQUILIBRIUM MODE CONDITION
- FILLED OUT TEST RESULT SHEET WILL BE SUPPLIED WITH EACH INDIVIDUALLY PACKED ASSEMBLY.

PART NUMBER	"L" (meter)
0-5349582-1	0,5 -0/+0,1
0-5349582-2	1,0 -0/+0,2
0-5349582-3	1,5 -0/+0,2
0-5349582-4	2,0 -0/+0,2
0-5349582-5	2,5 -0/+0,2
0-5349582-6	3,0 -0/+0,2
0-5349582-7	3,5 -0/+0,2
0-5349582-8	4,0 -0/+0,2
0-5349582-9	4,5 -0/+0,2
1-5349582-0	5,0 -0/+0,2
1-5349582-1	5,5 -0/+0,2
1-5349582-2	6,0 -0/+0,2
1-5349582-3	6,5 -0/+0,2
1-5349582-4	7,0 -0/+0,2
1-5349582-5	7,5 -0/+0,2
1-5349582-6	8,0 -0/+0,2
1-5349582-7	8,5 -0/+0,2
1-5349582-8	9,0 -0/+0,2
1-5349582-9	9,5 -0/+0,2
2-5349582-0	10,0 -0/+0,2

1	FERRULE DUST CAP BLACK	3
1	ST CONNECTOR ASSEMBLY	2
L	FOCAB 0,9 62.5/125DES BLUE	1
Qty	Description	Item
THIS DRAWING IS A CONTROLLED DOCUMENT.		DWN R. COOLEN 01 JUL 05
DIMENSIONS: mm		CHK A. HENGELMOLEN 05 SEP 06
TOLERANCES UNLESS OTHERWISE SPECIFIED:		APVD M. SCHOLTEN 05 SEP 06
0 PLC ± -		NAME
1 PLC ± -		COMMSCOPE, INC.
2 PLC ± -		PRODUCT SPEC
3 PLC ± -		APPLICATION SPEC
4 PLC ± -		SIZE A2
ANGLES ± -		CAGE CODE -
FINISH -		DRAWING NO C=5349582
MATERIAL -		RESTRICTED TO -
WEIGHT -		SCALE NTS
CUSTOMER DRAWING		SHEET 1 of 1
		REV G

5349582