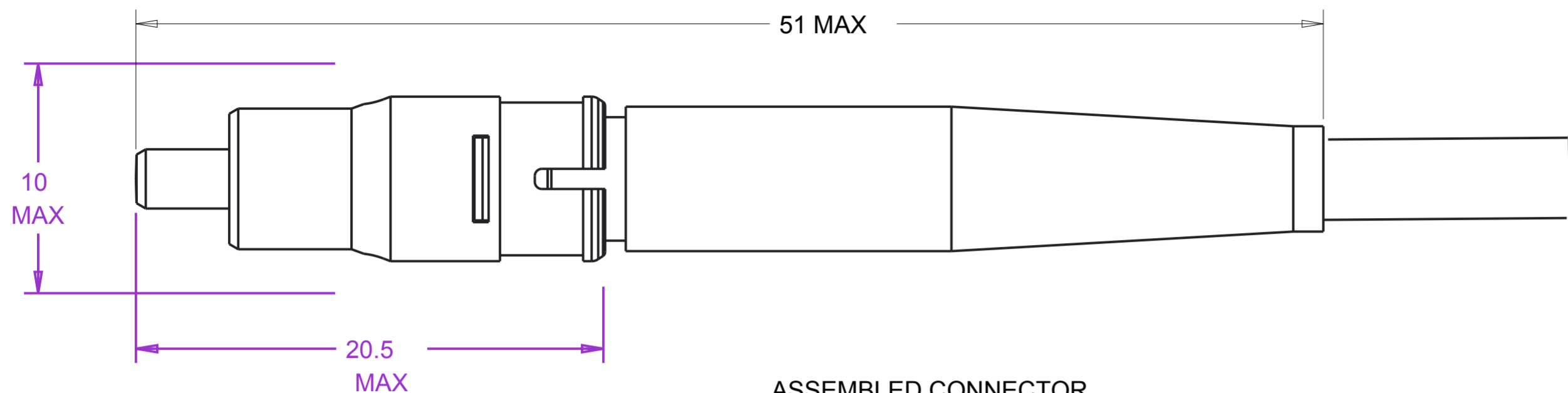


THIS DRAWING IS UNPUBLISHED. RELEASED FOR PUBLICATION  
 © 2016 COMMSCOPE, INC. CONFIDENTIAL NOTICE: THESE DRAWINGS AND SPECIFICATIONS ARE THE PROPRIETARY PROPERTY OF COMMSCOPE, INC. AND MAY BE USED ONLY FOR THE SPECIFIC PURPOSE AUTHORIZED IN WRITING BY COMMSCOPE, INC.

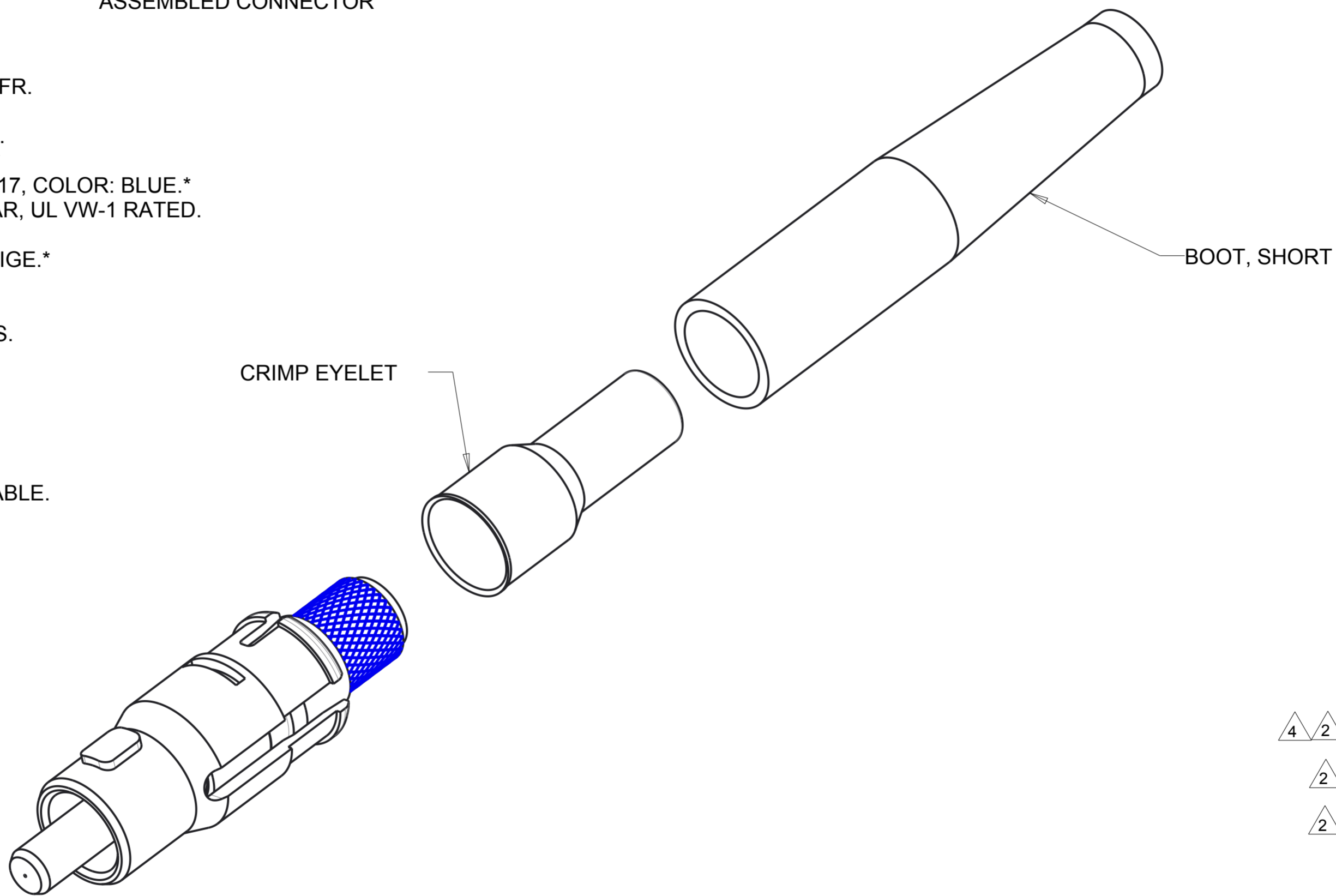
REVISIONS					
P	LTR	DESCRIPTION	DATE	DWN	APVD
	A	RELEASE TO ACTIVE	07JUN2006	BB	SM
	B	REBRANDING	17DEC2016		



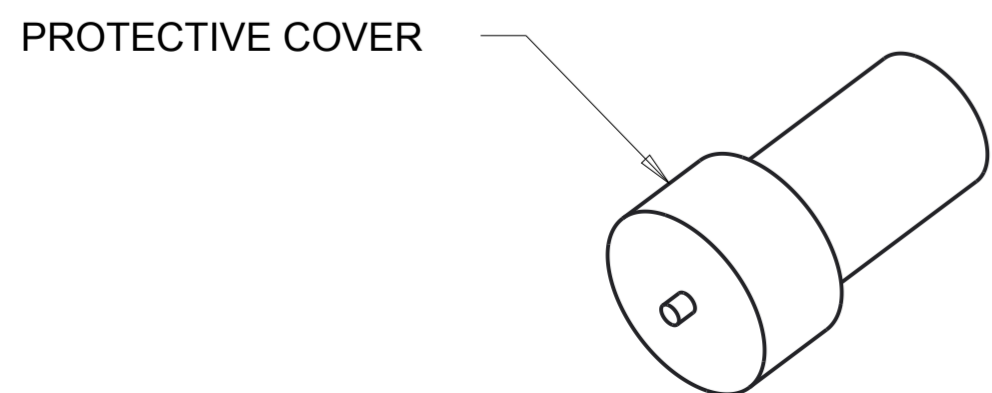
ASSEMBLED CONNECTOR

- 1 MATERIAL:  
 PROTECTIVE COVER: LDPE, BLACK, NON-FR.  
 CONNECTOR SUB-ASSEMBLY:  
 COUPLING NUT: NICKEL PLATED BRASS.  
 PLUG BODY: PPS-GF40, COLOR: BEIGE.\*  
 FERRULE ASSEMBLY: CERAMIC/PBT-GF17, COLOR: BLUE.\*  
 EPOXY-FILL TUBING: PVC, COLOR: CLEAR, UL VW-1 RATED.  
 SPRING: STAINLESS STEEL.  
 RETAINER BODY: PES-GF20, COLOR: BEIGE.\*  
 CRIMP EYELET: TIN PLATED COPPER.  
 BOOT: TPE, COLOR: SEE TABLE.\*  
 \*UL94 V-0 RATED AT QUALIFYING THICKNESS.

- 2 BULK PACKAGE.  
 3. TO BE USED WITH 3.0mm "LOOSE JACKETED" CABLE.  
 4 CONTAINS NO EYELET OR BOOT.



CONNECTOR ASSEMBLY



4 2	-	5504649-9
2	BLUE	5504649-8
2	YELLOW	5504649-5
	YELLOW	5504649-4
	BLUE	5504649-1
	BOOT COLOR	PART NUMBER

THIS DRAWING IS A CONTROLLED DOCUMENT.		DWN B.BRIGGS 02AUG2005	COMMSCOPE, INC.		
DIMENSIONS: mm		CHK S.MILLER 02AUG2005			
TOLERANCES UNLESS OTHERWISE SPECIFIED: 0 PLC ± 1 PLC ± 2 PLC ± 3 PLC ± 4 PLC ± ANGLES ± FINISH		APVD S.BUCHTER 02AUG2005	NAME CONNECTOR KIT, SINGLEMODE, FC, 3.0mm		
MATERIAL 1 -		PRODUCT SPEC -	SIZE A2	CAGE CODE C-5504649	RESTRICTED TO -
		APPLICATION SPEC -	SCALE 5:1	SHEET 1 OF 1	REV B
		WEIGHT -	CUSTOMER DRAWING		