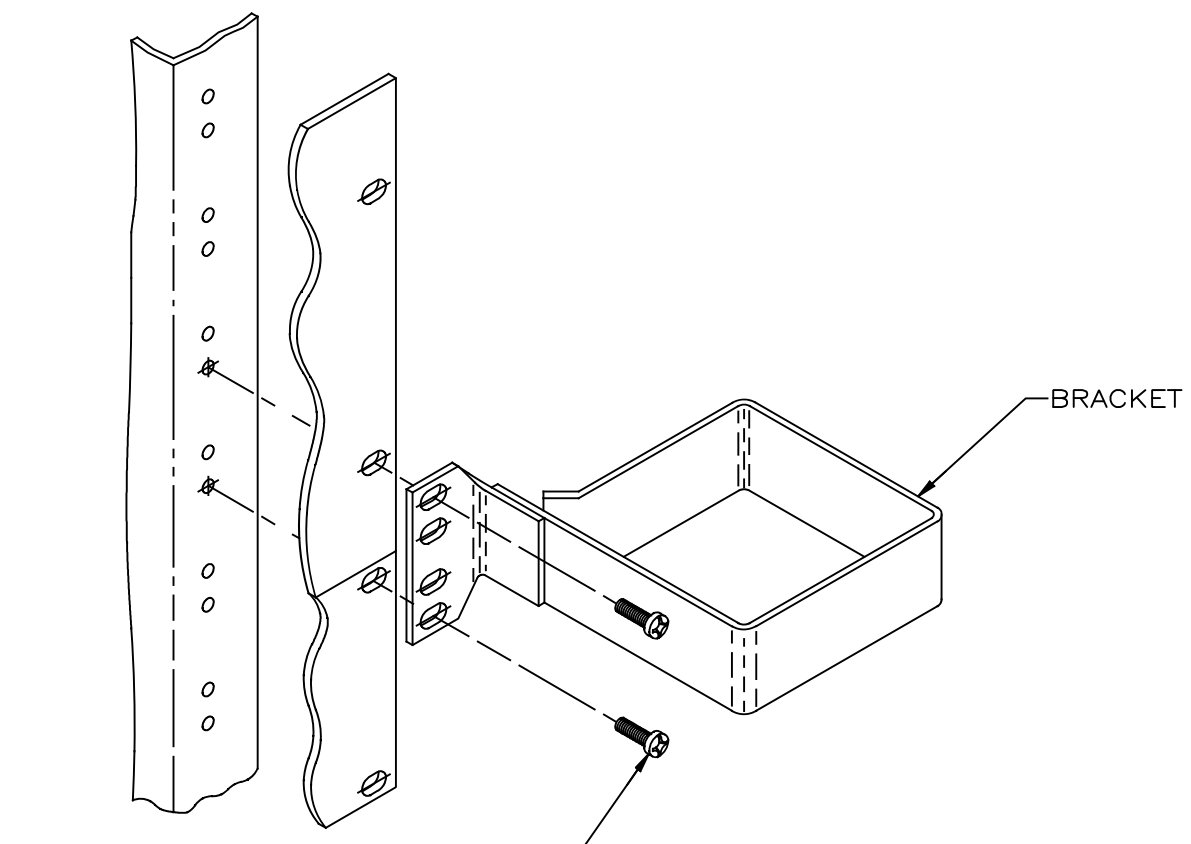
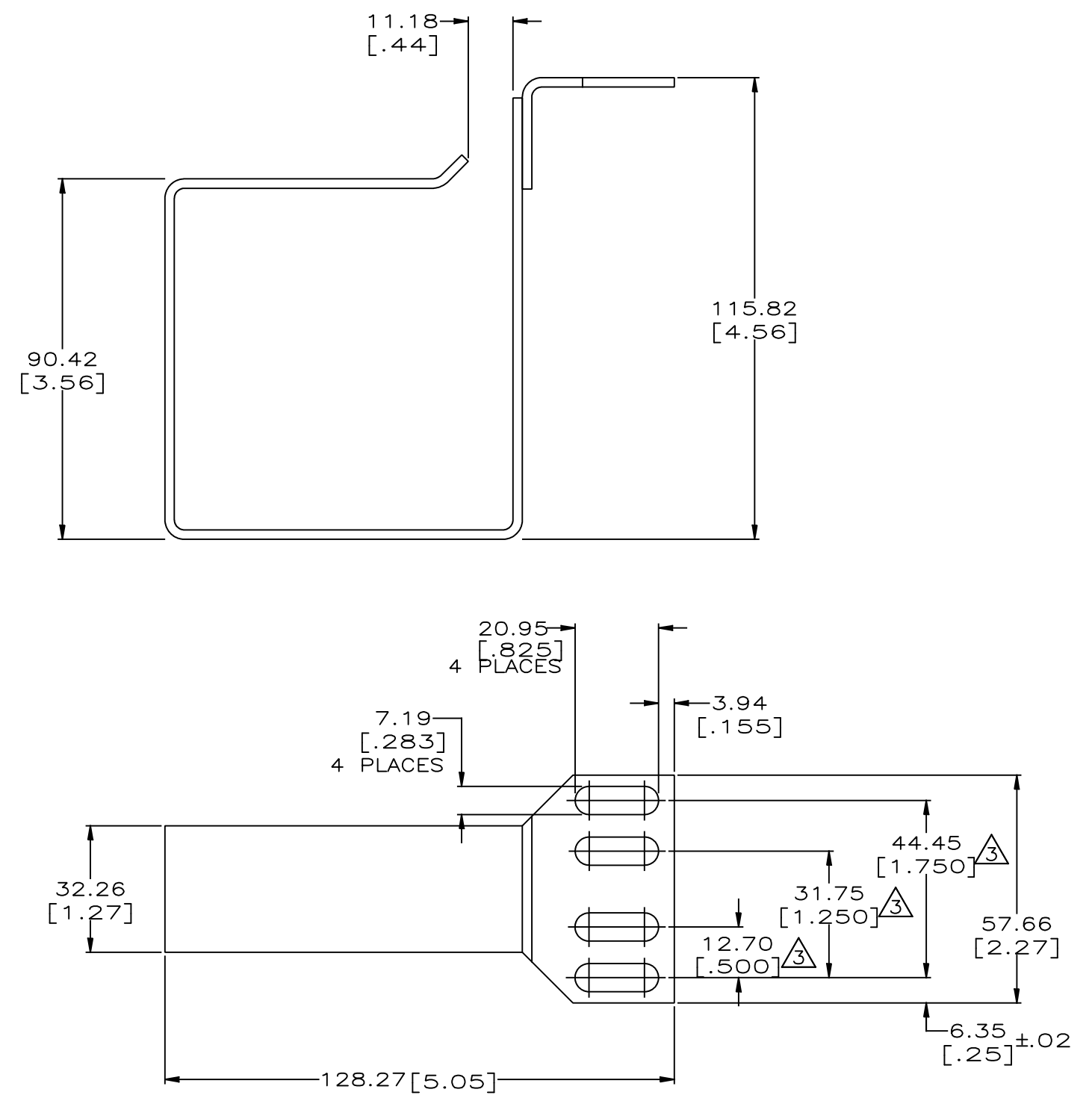


REVISIONS				
P	LTR	DESCRIPTION	DATE	OWN
F		REV; EC 0502-0244-97	15MAY97	DS
G		REV PER BNS_CD_BRAND	31JAN17	GG DC

- ① DIMENSIONS MAXIMUM UNLESS OTHERWISE SPECIFIED.
- ② MATERIAL:  
BRACKET—BLACK PAINTED CARBON STEEL.  
SCREWS—BLACK CARBON STEEL.
- ③ THE TOLERANCE FOR THESE DIMENSIONS ARE  $\pm 0.13$  [.005].



CROSS RECESSED PAN  
HEAD SCREW  
12-24 X 12.7 [.50]  
QUANTITY 2  
OR  
CROSS RECESSED SCREW  
10-32 X 12.7 [.50]  
QUANTITY 2

MAY BE INSTALLED DIRECTLY  
TO RACK OR OVER PANELS

558334-1  
PART NO

THIS DRAWING IS A CONTROLLED DOCUMENT.		DWG D. STRAUSSER 1-17-94	COMMSCOPE, INC.	
DIMENSIONS: mm [INCHES]		CHK C. WHITT 1-25-94	MANAGEMENT RING KIT, VERTICAL	
TOLERANCES UNLESS OTHERWISE SPECIFIED:		APPROV J. BONDS 1-31-94 J. SCHLUNZ	PRODUCT SPEC -- APPLICATION SPEC -- WEIGHT --	
0 PLC ± - ①	1 PLC ± - ①	SIZE A1		
2 PLC ± - ①	3 PLC ± - ①	CAGE CODE --		
4 PLC ± - ①	ANGLES ± - ①	DRAWING NO C=558334		
MATERIAL ②	FINISH ②	RESTRICTED TO --		
CUSTOMER DRAWING		SCALE 1:1 SHEET 1 OF 1 REV G		