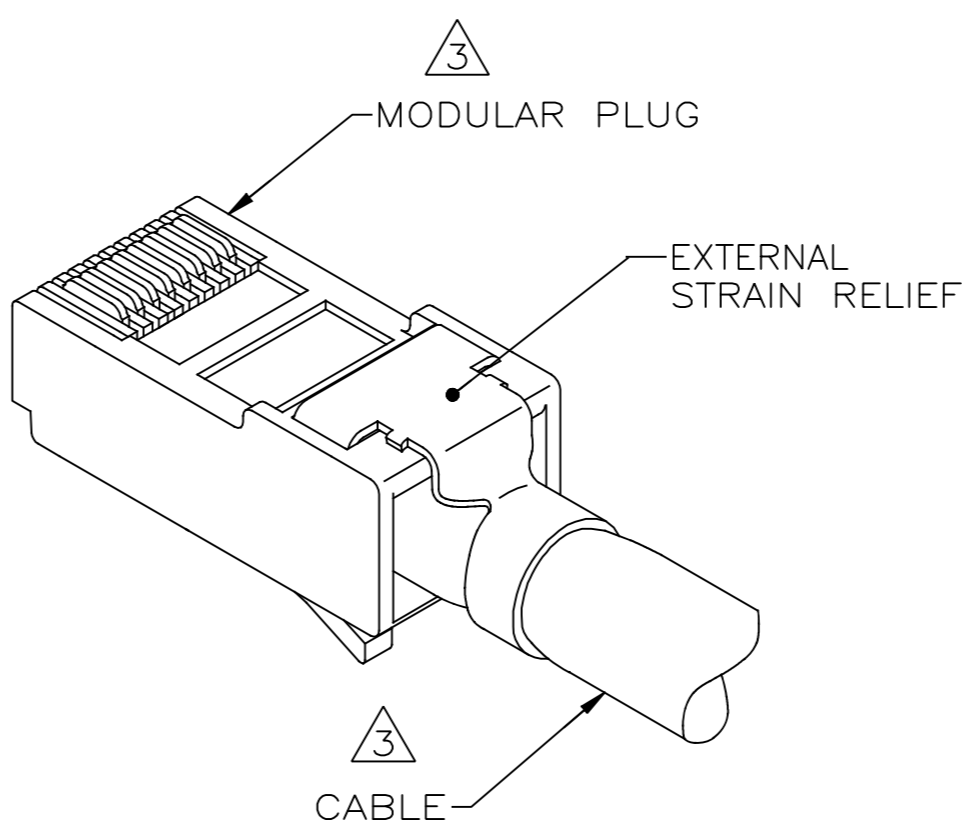
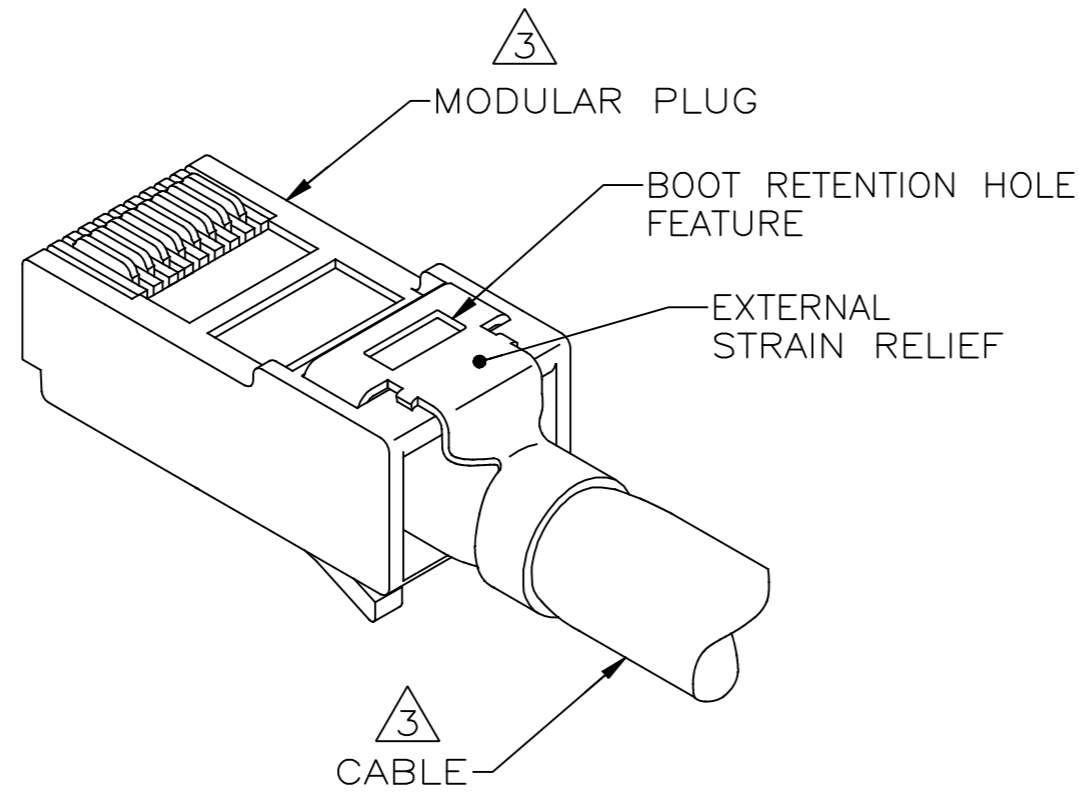


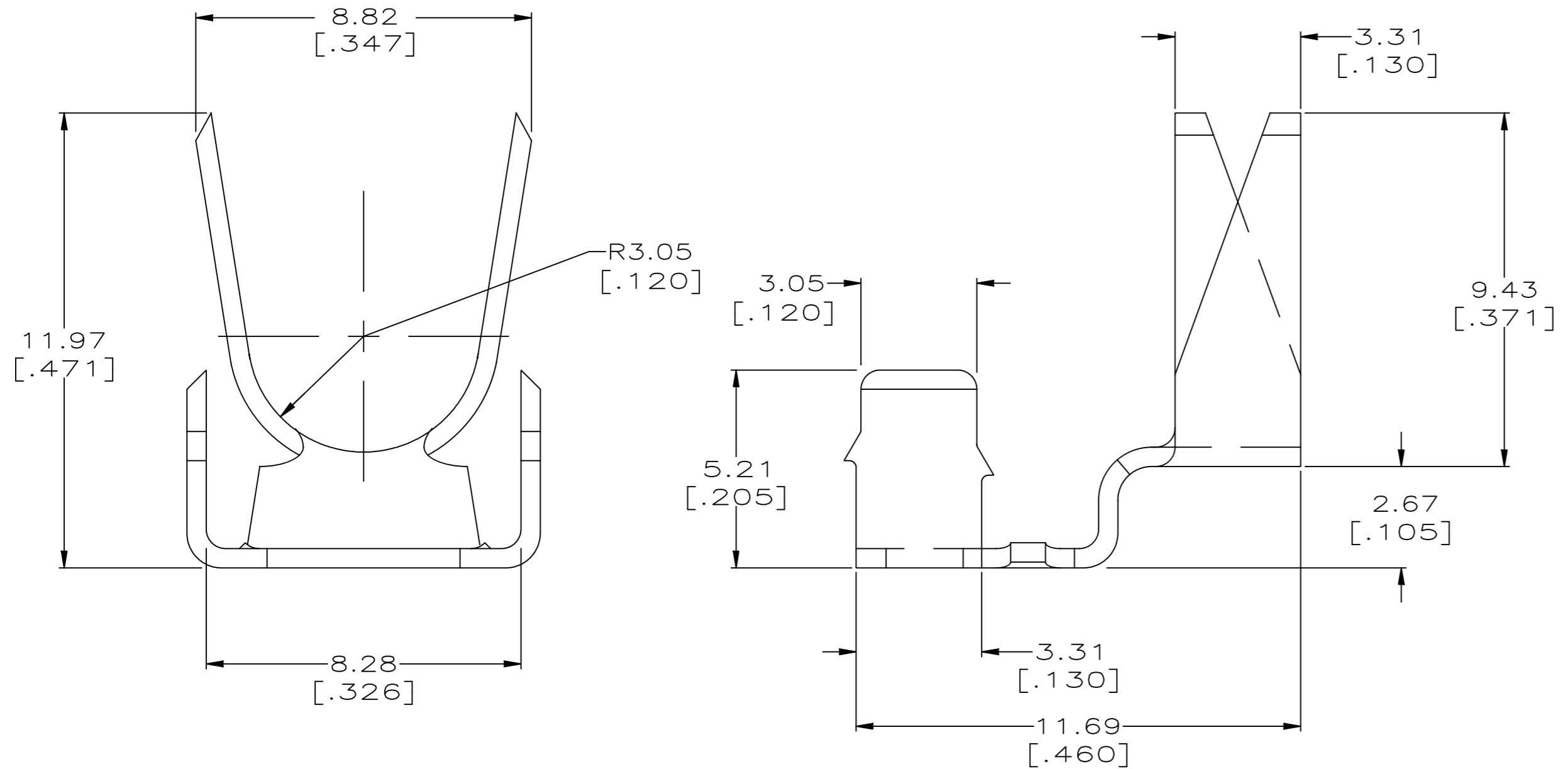
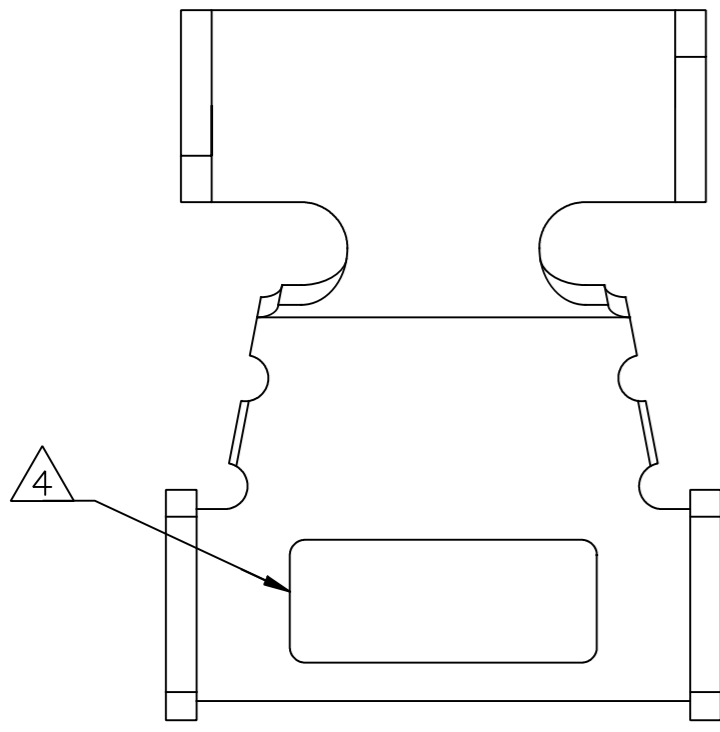
THIS DRAWING IS UNPUBLISHED. RELEASED FOR PUBLICATION
 © 2016 Commscope, INC. Confidential
 NOTICE: These drawings and specifications are the proprietary property of COMMSCOPE, INC. and may be used only for the specific purpose authorized in writing by COMMSCOPE, INC.

LOC	DIST	REVISIONS				
P	LTR	DESCRIPTION	DATE	DWN	APVD	
	D1	REVISED PER ECO-11-005140	28MAR11	RK	HMR	
	E	REV PER BNS_CD_BRAND	16JAN17	GG	DC	



VIEW OF A PROPERLY APPLIED 558527-3

VIEW OF A PROPERLY APPLIED 558527-1



- 1 ALL DIMENSIONS ARE MAXIMUM UNLESS OTHERWISE SPECIFIED.
- 2 MATERIAL: BRIGHT PURE TIN PLATED BRASS.
- 3 MODULAR PLUG AND CABLE FURNISHED BY CUSTOMER.
- 4 558527-3 HAS A 2.03 x 5.08 [.080 x .200] RECTANGULAR HOLE FOR RETENTION OF AMP MODULAR PLUG BOOT.
- 5. THESE EXTERNAL STRAIN RELIEF ACCESSORIES CAN BE UTILIZED ON ANY AMP BRAND 8 POSITION OR 10 POSITION MODULAR PLUG AS SHOWN.

LEAD FREE

558527-3	558527-1
WITHOUT HOLE	PART NO.
DESCRIPTION	

THIS DRAWING IS A CONTROLLED DOCUMENT.		DWN	G. GARRETT	9-20-95	COMMSCOPE, INC. NAME STRAIN RELIEF, EXTERNAL, MODULAR PLUG, 8 OR 10 POSITION					
DIMENSIONS:		CHK	C. WHITT	10-5-95						
mm [INCHES]		APVD	E. LAURER	10-12-95						
TOLERANCES UNLESS OTHERWISE SPECIFIED:		PRODUCT SPEC	N/A	APPLICATION SPEC						
0 PLC	± -	408-4167	SIZE	A2	CAGE CODE	-	DRAWING NO	C=558527	RESTRICTED TO	-
1 PLC	± -	WEIGHT	.615 grams	SCALE	8:1	SHEET	1 of 1	REV	E	
2 PLC	± -	CUSTOMER DRAWING								
3 PLC	± -									
4 PLC	± -									
ANGLES	± -									
FINISH	2									

- 558527