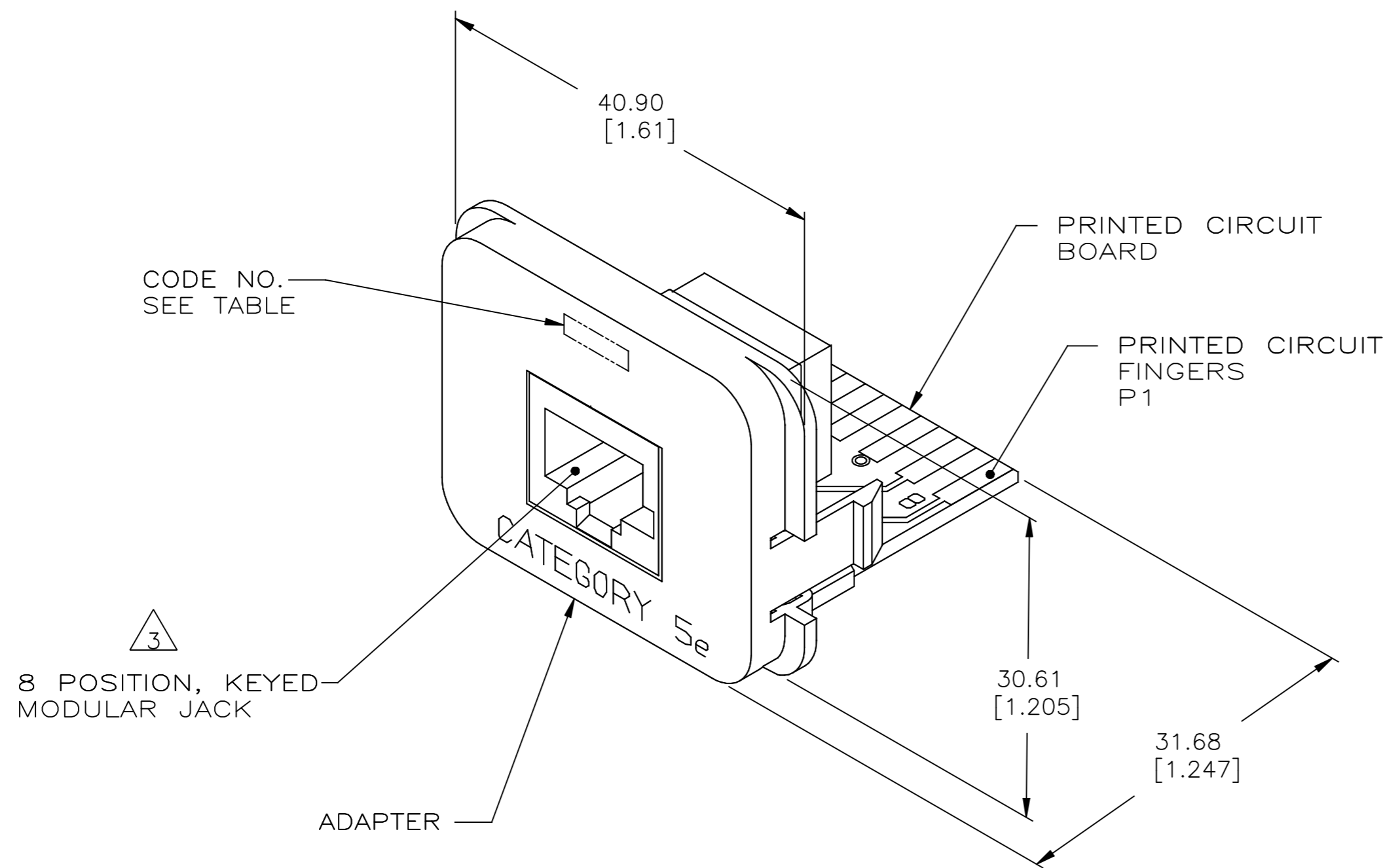


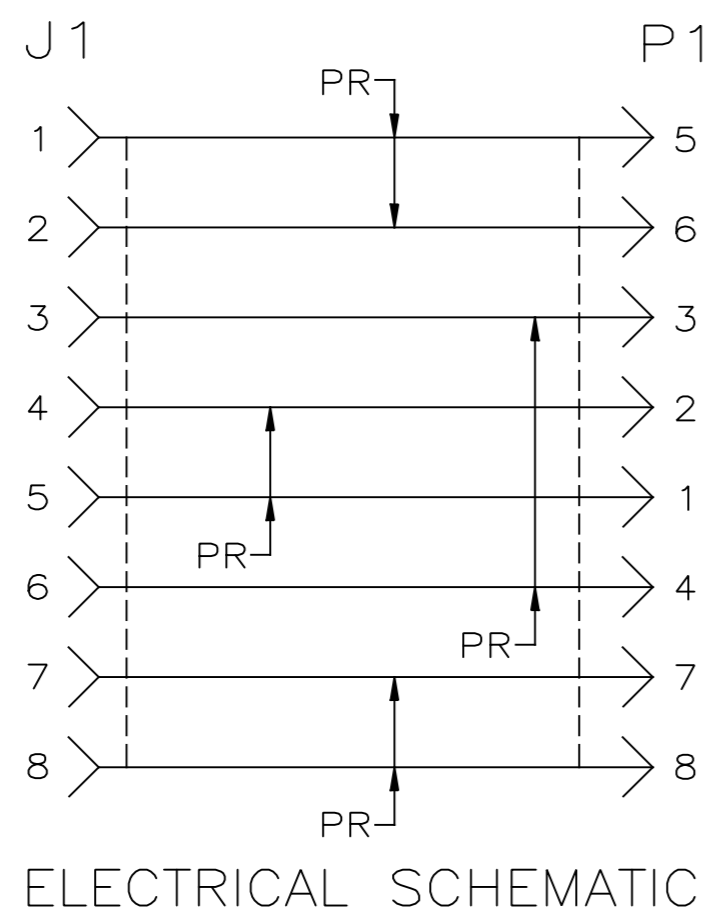
THIS DRAWING IS UNPUBLISHED. RELEASED FOR PUBLICATION  
 © 2016 Commscope, INC. Confidential NOTICE: These drawings and specifications are the proprietary property of COMMSCOPE, INC. and may be used only for the specific purpose authorized in writing by COMMSCOPE, INC.

REVISIONS					
P	LTR	DESCRIPTION	DATE	DWN	APVD
	B1	REV; 40025905MCO	22OCT2015	GG	RA
	C	REV PER BNS_CD_BRAND	20JAN2017	GG	DC



- 1 DIMENSIONS ARE MAXIMUM.
- 2 MATERIAL: PRINTED CIRCUIT BOARD—LAMINATED PLASTIC SHEET, 1.57 [.062] THICK. ADAPTER—ABS MOLDING COMPOUND, SEE TABLE. PRINTED CIRCUIT FINGERS—0.51μm [.000020] MINIMUM GOLD PLATE OVER 1.27μm [.000050] MINIMUM NICKEL PLATE.
- 3 THIS INTERCONNECT MEETS THE REQUIREMENTS OF IEC 603-7.
- 4. THIS INSERT IS DESIGNED TO MATE WITH AMP INC. EDGE CONNECTOR KIT AND WALLBOX KITS.

3  
 8 POSITION, KEYED MODULAR JACK



BLACK	908-6	ELECTRIC IVORY	558908-6
BLACK	908-5	WHITE	558908-5
BLACK	908-4	NEMA GRAY	558908-4
WHITE	908-3	BLACK	558908-3
BLACK	908-1	LIGHT ALMOND	558908-1
MARKING COLOR	CODE NO.	ADAPTER COLOR	PART NO

THIS DRAWING IS A CONTROLLED DOCUMENT.

DIMENSIONS: mm[INCHES]	TOLERANCES UNLESS OTHERWISE SPECIFIED:	DWN M.D.BYERLY 1-18-95	<b>COMMSCOPE, INC.</b> INSERT ASSEMBLY, RJ45, T568A, CATEGORY 5e AMP COMMUNICATION OUTLET
	0 PLC ± -	CHK B.FOX 1-20-95	
	1 PLC ± -	APVD D.BECK 1-20-95	
	2 PLC ± -	PRODUCT SPEC 108-1163	
MATERIAL	FINISH	APPLICATION SPEC 114-2048	RESTRICTED TO
		WEIGHT -	SIZE A2
		CUSTOMER DRAWING	SCALE 2:1 SHEET 1 of 1 REV C

558908

A