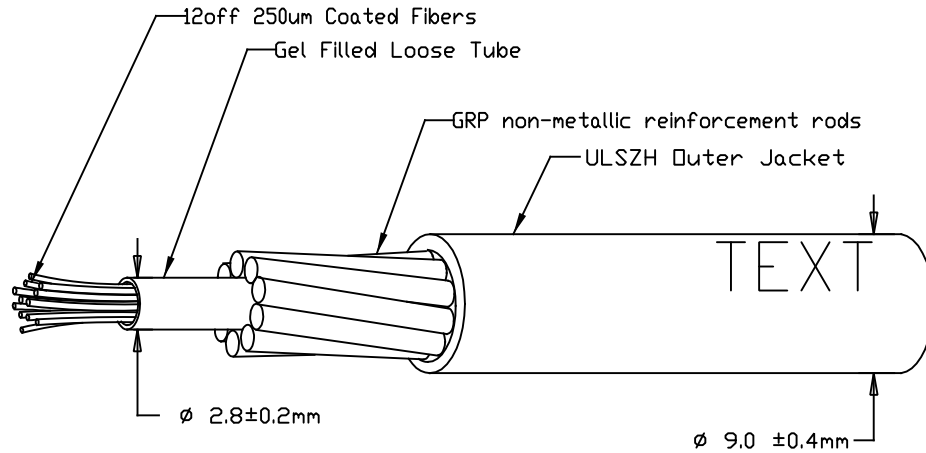


THIS DRAWING IS A CONTROLLED DOCUMENT DWG No: C-599172

LTR	REVISION RECORD	DATE	DWN	APVD
G	8000020341	03MAR17	TV	DW



- 12off 250um Primary Coated Fibers, Colours Blue, Orange, Green, Brown, Grey, White, Red, Black, Yellow, Violet, Pink & Turquoise
- Outer Jacket Text acc. 101-131550 Method C if fiber type is marked with *
For other fiber types follow method A
every meter, text 2.5 to 6.0mm high

Example:

COMMSCOPE GB OPTOBEND SYSTEM F.O.CABLE X-599172-3 INT/EXT RODENT RESISTANT GRP 12X 50/125 OM3 ULSZH [BATCH] XXXX (M)

OPTOBEND IN THE PRINT ONLY
APPLIES TO FIBRE TYPES MARKED
WITH AN ASTERIX *

3. Mechanical Properties of Cable (Tested according to IEC60794-1)

- Nominal weight 94 kg/km
- Minimum Installation Bend Radius 230 mm
- Minimum Service Bend Radius 175 mm
- Maximum Installation Tension 2000 N
- Maximum Operating Tension 750 N
- Maximum Crush Resistance 3000 N
- Operating Temperature Range -20 to + 70 °C
- External Grade, Rodent Resistant
- Low Smoke Zero Halogen Material to be compliant with
 - Water Absorption IEC60811-1, $2\text{mg}/\text{cm}^2$ 10days @70C
 - Smoke Emission IEC 61034
 - Acid Gas Emission IEC 60754-1
 - Toxicity NES 60713
 - Fire Propagation IEC 60332-1 & 60332-3

4. To meet the requirements of COMMSCOPE environmental specification CS-EPC-2001

blue	yellow	0.37/0.25	single mode	9/125 G657A2 BI *	X-599172-8
orange	orange	3.5/1.0	500/500	50/125 OM2 BI *	X-599172-7
grey	orange	2,8/0,7	200/600	62.5/125 OM1	X-599172-5
blue	yellow	0.37/0.25	single mode	9/125 OS2	X-599172-4
orange	Aqua	2.5/1.0	1500/500	50/125 OM3 BI *	X-599172-3
orange	Aqua	2.5/1.0	3500/500	50/125 OM4 BI *	X-599172-2
blue	yellow	0.37/0.25	single mode	9/125 G657A1 BI *	X-599172-1
Loose Tube Colour	Jacket Colour	Max Cabled fibre attn. loss db/km @ 850/1300nm for Multi mode and @ 1310/1550nm for Single mode	Bandwidth @ 850/1300nm	Fiber Type	MID/PN

Dimensions: MM	TOLERANCES UNLESS OTHERWISE SPECIFIED: 0 PLC ± 1 PLC ±0.1 2 PLC ±0.01 3 PLC ±0.001 4 PLC ±0.0001	Drawn: T.VISSERS 20FEB17	 Commscope Connectivity UK Ltd Kinmel Park, Bodelwyddan, Denbighshire, LL18 5TZ		
	ANGLES: - SURFACE TEXTURE	Checked: A.YOUNG			
Approved: D.WALKER		Scale: N/A	Drawing No: C-599172	Sheet: 1 of 1	G