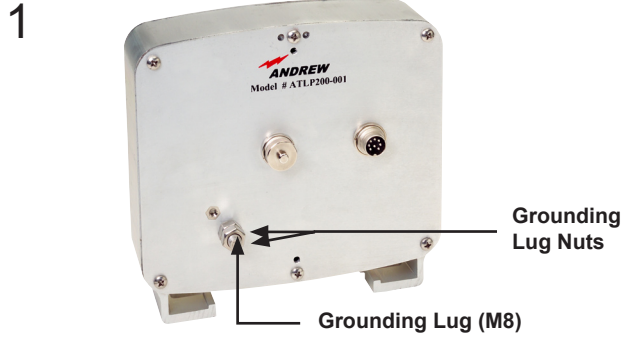


639098 Revision E, May 2016

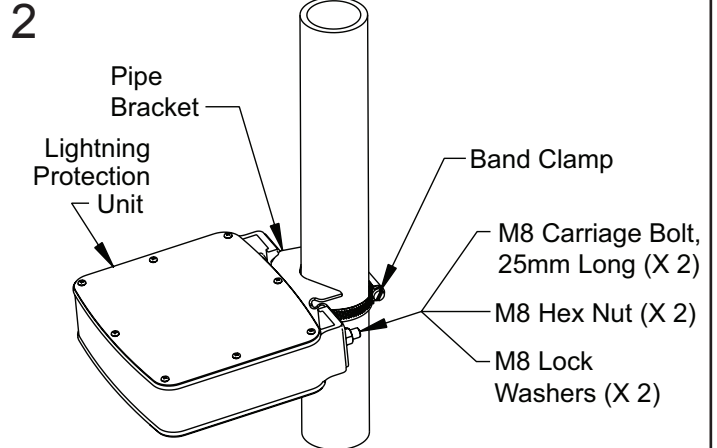
Lightning Protection Unit

ATLP200-001

PRE-INSTALLATION GROUNDING INSTRUCTIONS

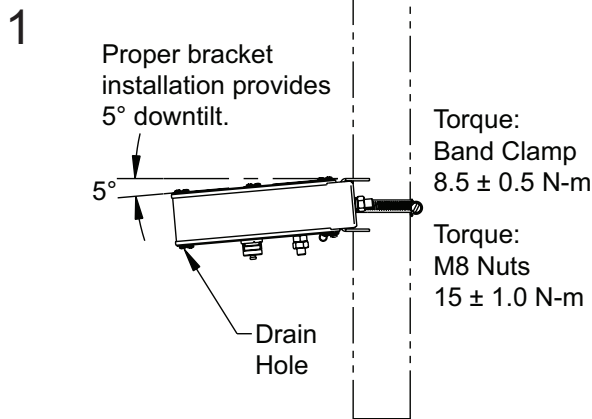


Attach a grounding cable to grounding lug on lightning protection unit and to tower grounding system. Use a minimum torque of 18 N-m on grounding lug nuts.

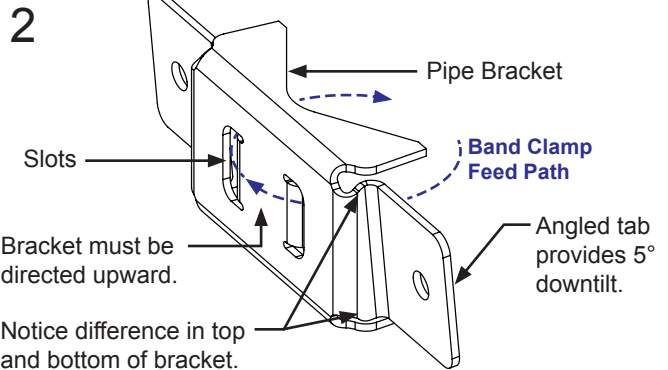


Attach band clamp to pipe.

PIPE MOUNT INSTALLATION INSTRUCTIONS



Ensure that unit is properly mounted as shown. Torque M8 hardware and band clamp.



Note proper pipe bracket orientation. Insert band clamp through slots, positioning locking clasp so that it will be placed down behind the pipe.

Required Tools

| Qty | Tool |
|---|---------------------------------|
| 1 | 13mm box wrench for M8 hardware |
| 1 | 8mm box wrench for band clamps |
| And tools required for specific wall installation | |

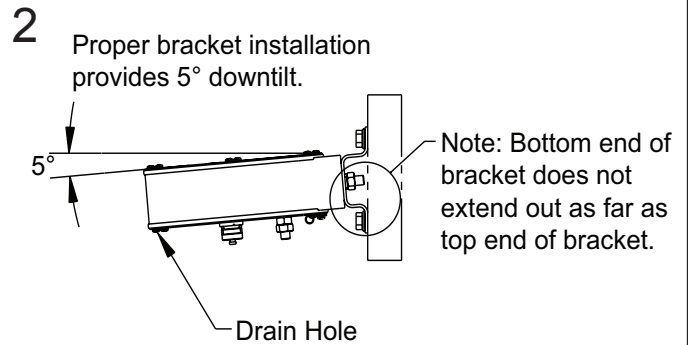
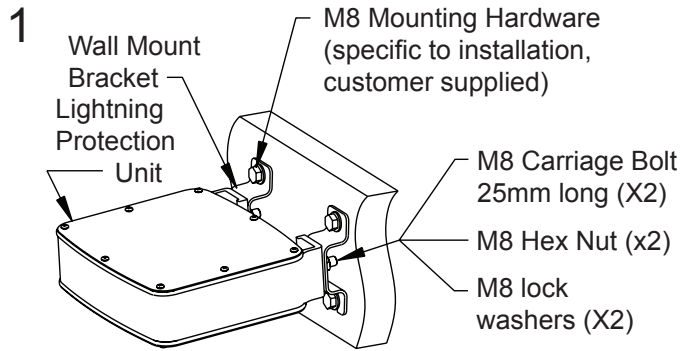
Recommended Torque

| Hardware | Torque |
|-------------------|---------------|
| M8 Nuts | 15 ± 1.0 N-m |
| Band Clamp | 8.5 ± 0.5 N-m |
| Grounding Lug Nut | 18 N-m |

(continued on page 2)

(Continued from page 1)

WALL MOUNT INSTALLATION INSTRUCTIONS



Attach wall brackets to lightning protection unit.
Attach lightning protection unit to wall/flat surface.

Ensure that junction box is properly mounted as shown.
Torque M8 nuts at 15 ± 1.0 N-m.

WARRANTY NOTICE

Proper installation procedures must be followed when installing and operating RET equipment. Failure to assure installations are done properly by trained installation personnel and to follow procedures discussed in this bulletin may cause warranty for such products to be void.

CommScope requires pretesting actuators on the ground prior to installation, using the CommScope portable controller and the latest version of the controller software (available online at www.commscope.com/Resources/Software). This will verify proper actuator functionality and also ensure that the latest available actuator firmware release is installed on the actuator. Failure to conduct pre-test and pre-installation procedures defined by CommScope will void warranty.



Do not install near power lines. Power lines, telephone lines, and guy wires look the same. Assume any wire or line can electrocute you.



Do not install on a wet or windy day or when lightning or thunder is in the area. Do not use metal ladder.



Wear shoes with rubber soles and heels. Wear protective clothing including a long-sleeved shirt and rubber gloves.

SAFETY NOTICE

The installation, maintenance, or removal of an antenna requires qualified, experienced personnel. CommScope installation instructions are written for such installation personnel. Antenna systems should be inspected once a year by qualified personnel to verify proper installation, maintenance, and condition of equipment.

CommScope disclaims any liability or responsibility for the results of improper or unsafe installation practices.

It is recommended that transmit power be turned off when the field installation is performed. Follow all applicable safety precautions as shown on this page.