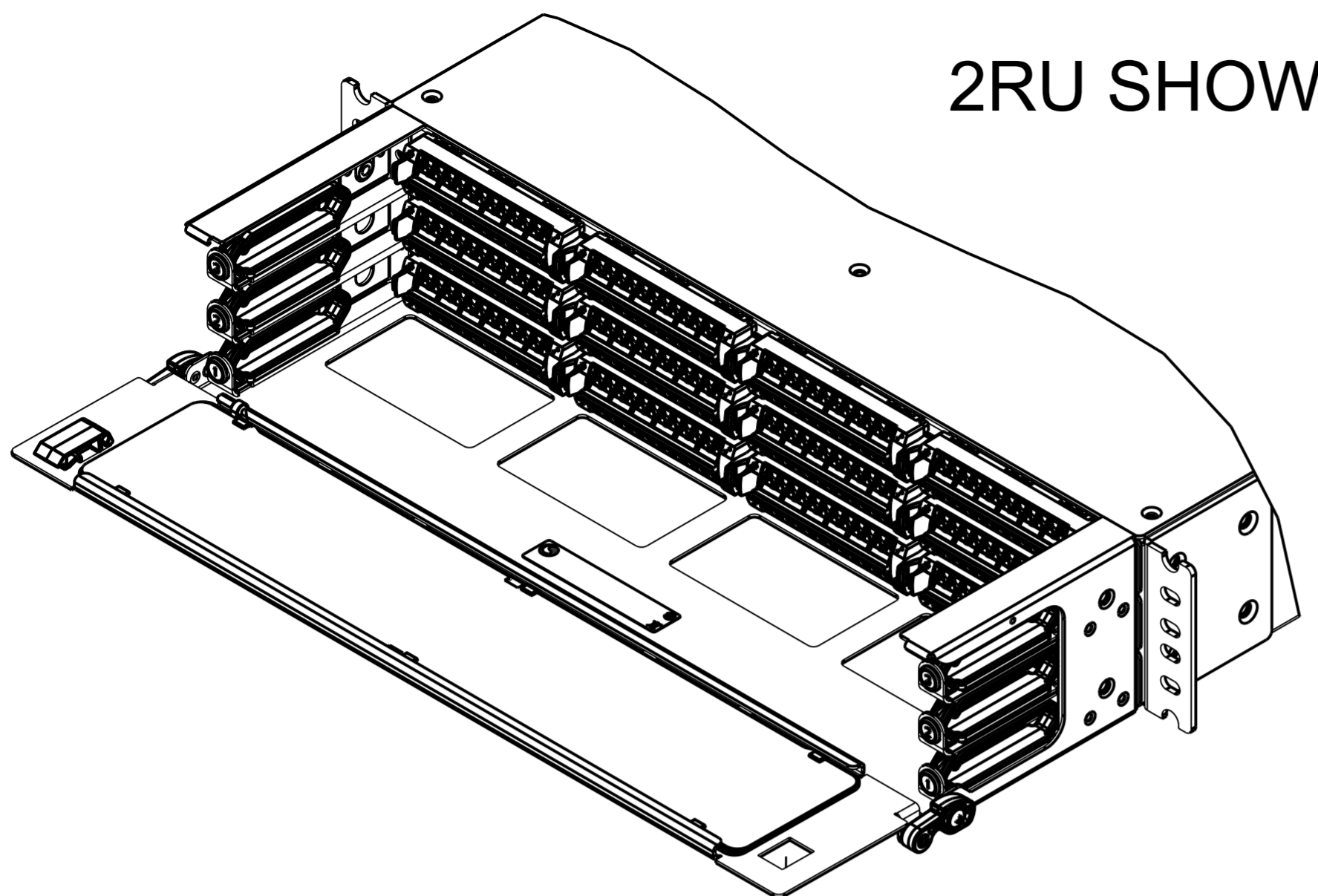
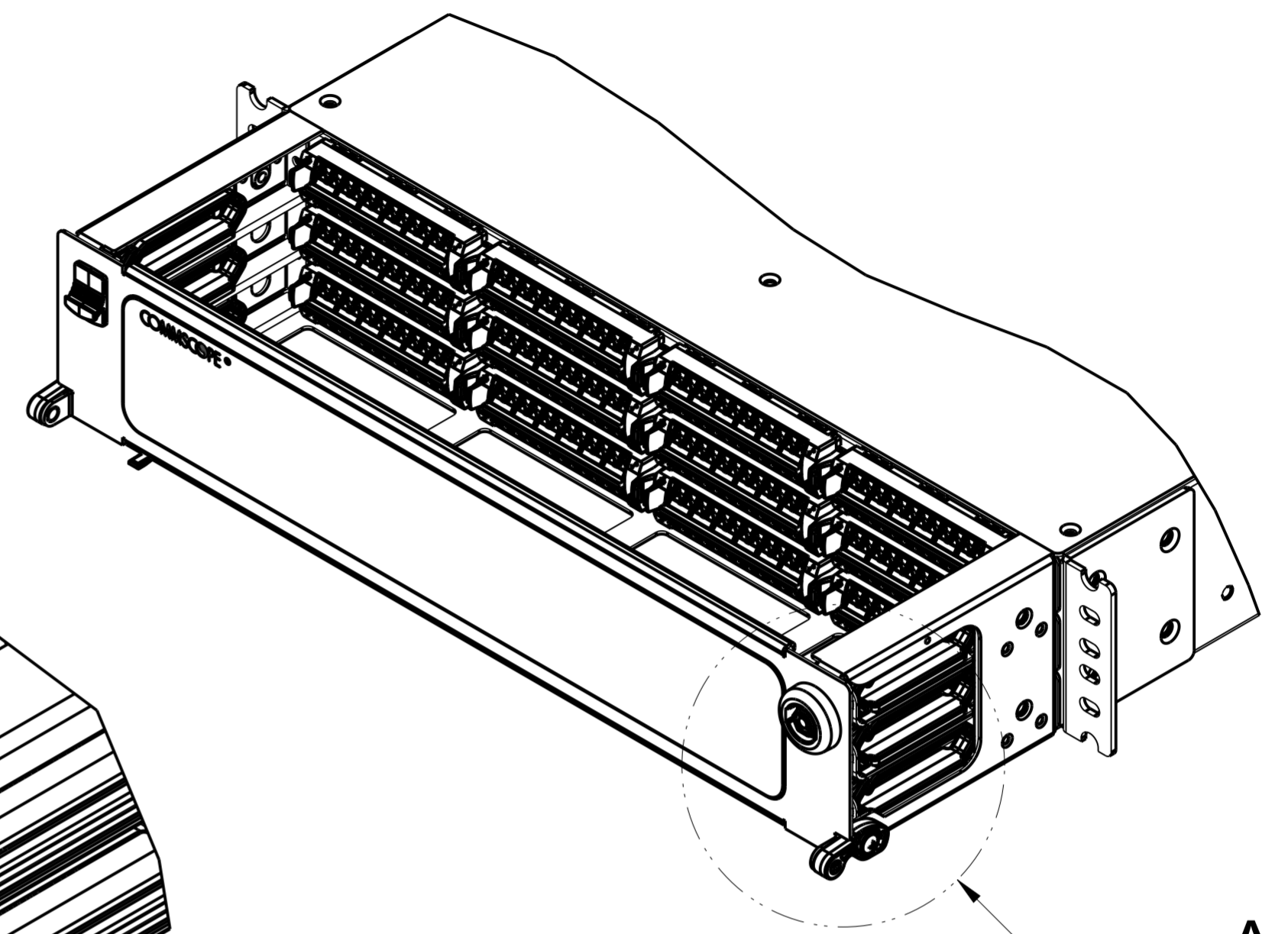


REVISIONS			
REV	DESCRIPTION	DATE	APPROVED
A	40068914CMO	19-JUN-18	SV

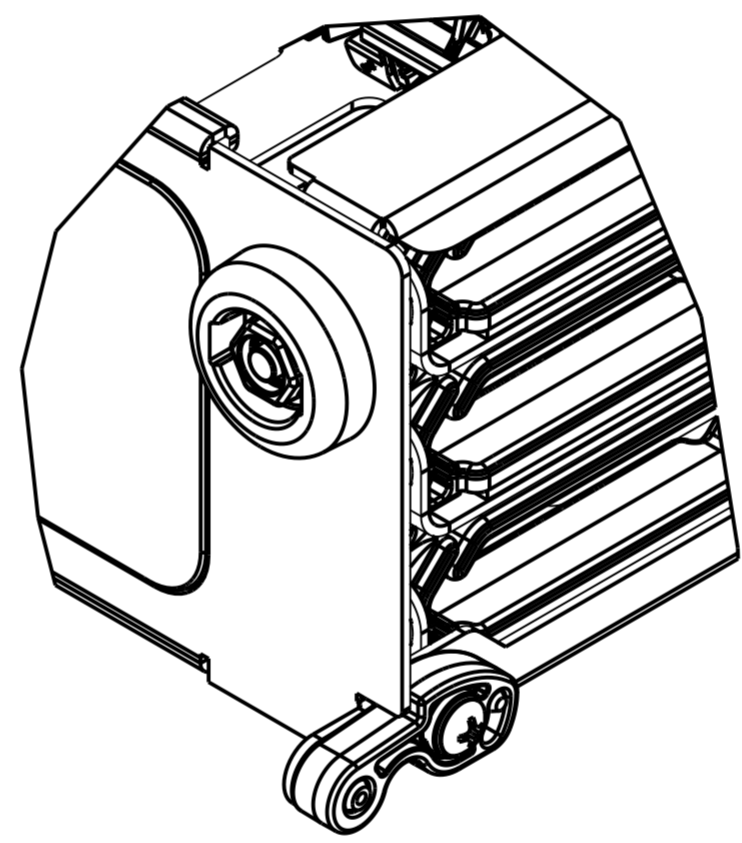
2RU SHOWN FOR REFERENCE



PUSH THIS END
DOOR LATCH



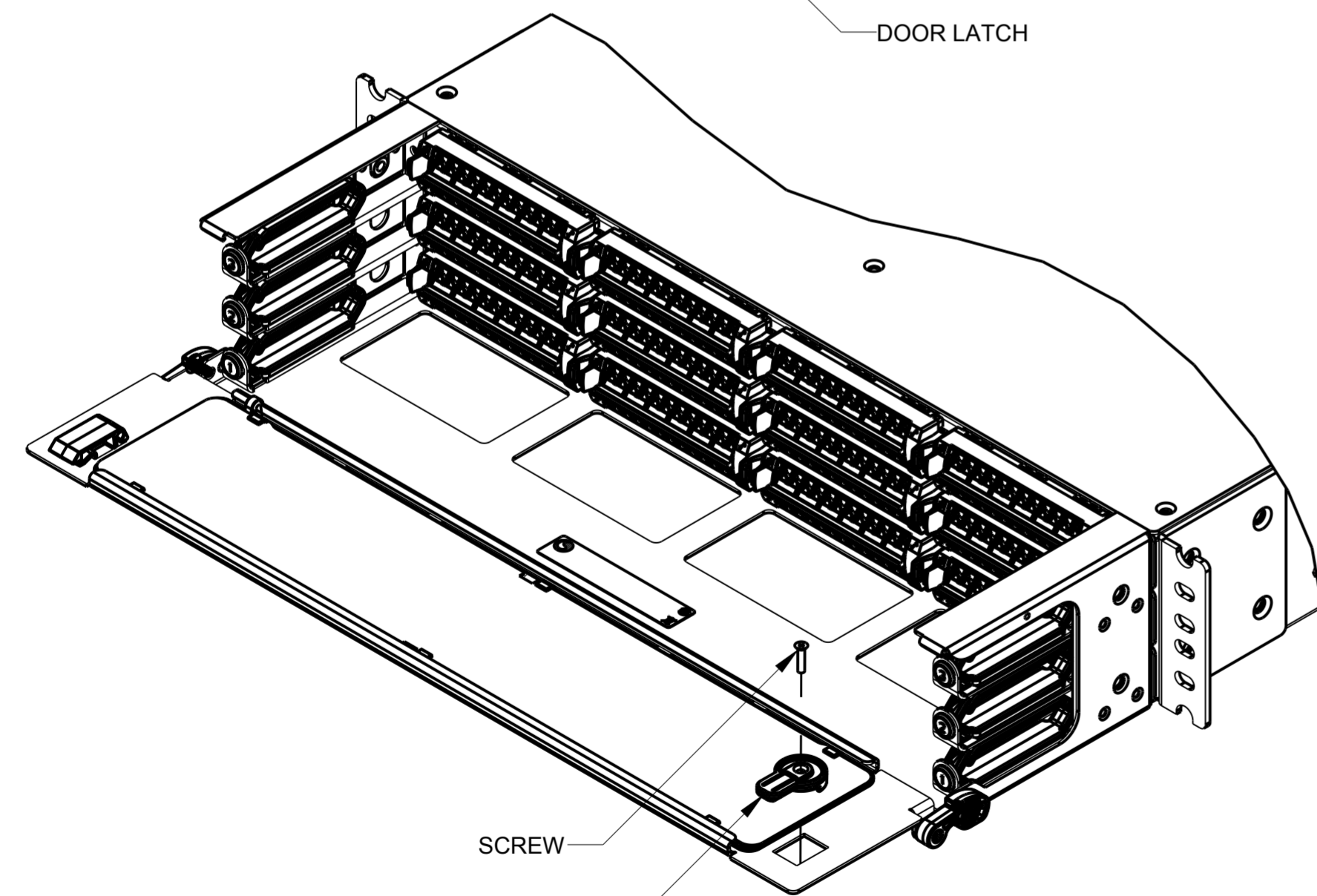
SEE DETAIL **A**



DETAIL **A**
SCALE 1/1

NOTES:

1. LOCK CAN BE INSTALL LEFT OR RIGHT SIDE.
2. WHEN REMOVING DOOR LATCH CAREFULL NOT TO DAMAGE THE DOOR.
3. TO REMOVE DOOR LATCH PUSH TAB OF DOOR LATCH AND USE YOUR THUMB TO PUSH DOOR LATCH OUT AT THE SAME TIME.
4. TO INSTALL LOCK SNAP BODY INTO PLACE FIRST. ASSEMBLE PAWL AND HEX NUT TOGETHER USING SCREW AS SHOWN.



SCREW
PAWL
BODY
HEX NUT

COMMSCOPE, INC.									
TOLERANCES					SAP MATERIAL MASTER				
SEE TABLE									
FINISH					MATERIAL				
NONE					NONE				
SYMBOLY AGRES WITH ASME Y14.5M-2009. ALL SHEETS ARE THE SAME REVISION AND STATUS.	DRAFTER			TITLE					
	SOUTSADA VONGSENG			UDS LOCK KIT, INSTALL DRAWING					
	CHECKER								
	JIM SOLHEID								
ENGINEER			SIZE	SCALE	DOCUMENT NO.				
JIM SOLHEID			A2	7/16	660002447				
CMO			40068914CMO						
ALL SURFACES		WORK AREA: 58		MODEL		DRAWING		SHEET	
✓		[Symbol]		VERSION	STATUS	REVISION	VERSION	STATUS	REVISION
				00			00	RW	A
					1 OF 1				