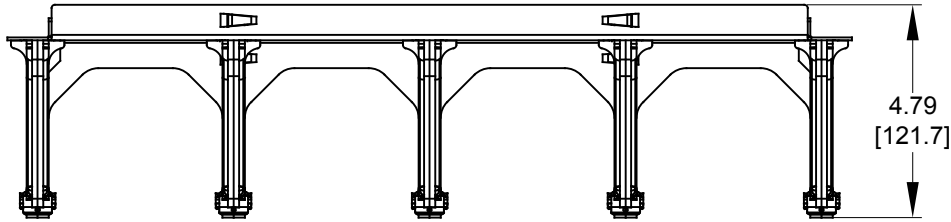
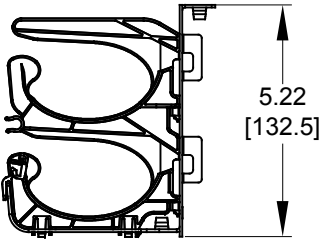
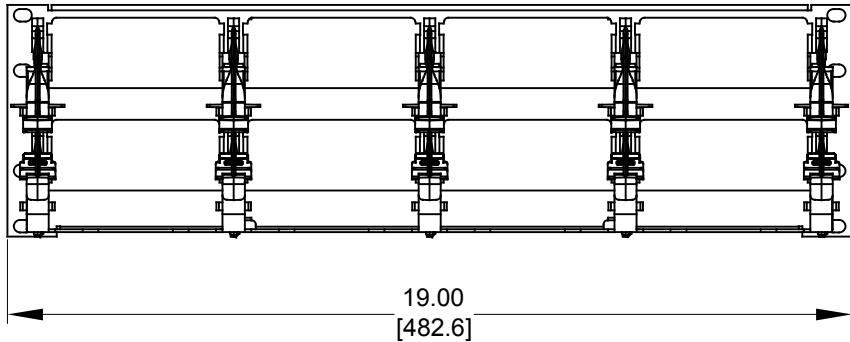


MATERIAL ID	DESCRIPTION
760001677	PATCHMAX® GS3 Cat 6 U/UTP 3U Panel Kit



NOTES:

1. SEE SYSTIMAX CATALOG FOR PART NUMBER SUFFIXES TO INDICATE COLOR/PKG.
2. SEE SYSTIMAX CATALOG FOR COMPLETE LIST OF PARTS RELATED TO THE USE OF THIS PRODUCT.
3. DIMENSIONS IN PARENTHESES ARE IN METRIC[MM].
4. PART INCLUDES:
 (1) PANEL, 8 HOLE
 (2) RETAINER, REAR
 (5) RETAINER, 3U
 (4) SCREW



PMGS3-3U	
COMMScope, INC OF NORTH CAROLINA	
SYSTIMAX® SOLUTIONS	
DRAWN BY JW	
DATE 29-NOV-2017	DWG NO 760001677

REV	DATE	ECR	DESCRIPTION	APPROVED BY
1	29-NOV-17		INITIAL ISSUE	PL