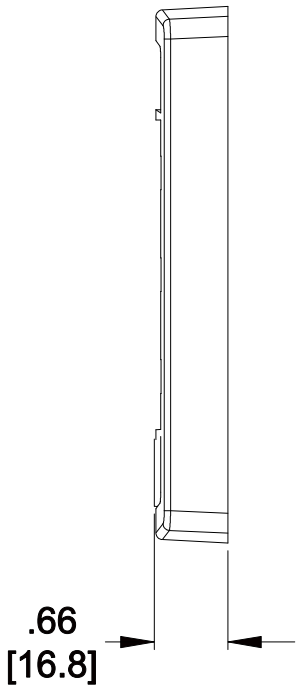
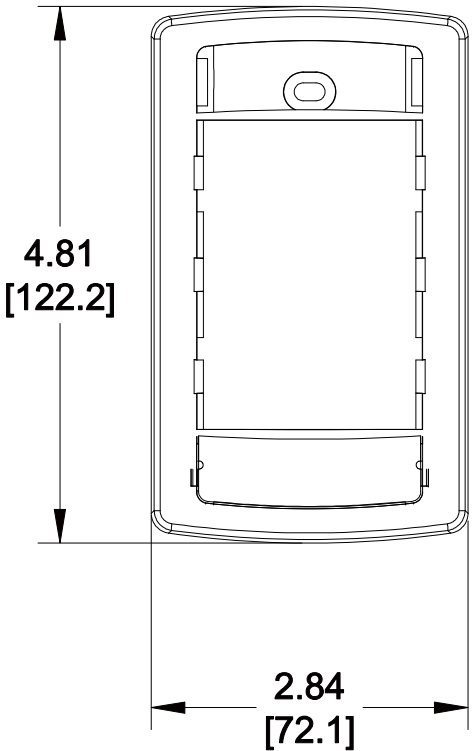


MATERIAL ID	DESCRIPTION
760010017	FLEXIBLE FACEPLATE FRAME, IVORY

**NOTES:**

1. SEE COMMSCOPE CATALOG FOR PART NUMBER SUFFIXES TO INDICATE COLOR/PKG.
2. SEE COMMSCOPE CATALOG FOR COMPLETE LIST OF PARTS RELATED TO THE USE OF THIS PRODUCT.
3. DIMENSIONS IN PARENTHESES ARE IN METRIC.
4. PART INCLUDES:
  - (1) FRAME
  - (2) SCREW
  - (2) CARD
  - (2) RETAINER CARD
  - (1) RETAINER



M13FP-246

**COMMSCOPE, INC** OF NORTH CAROLINA

REV	DATE	ECR	DESCRIPTION	APPROVED BY	DATE	DWG NO
1	05/26/11		INITIAL ISSUE		05/26/2011	760010017