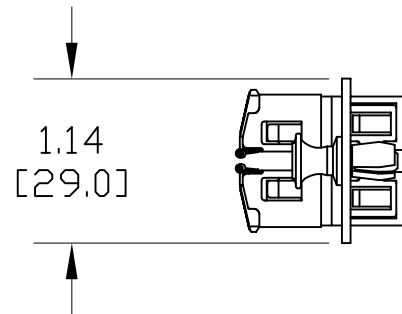
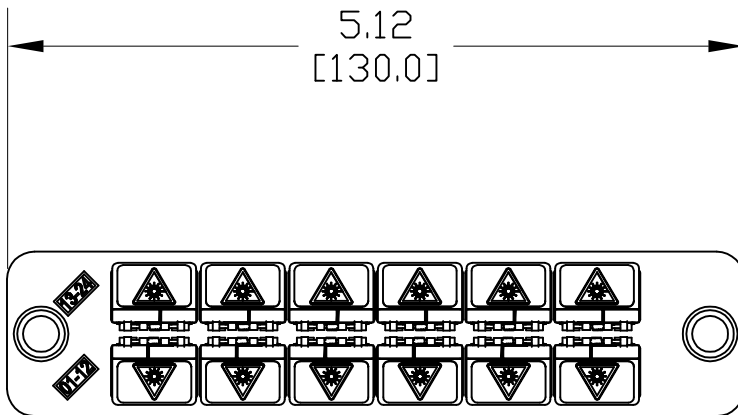


MATERIAL ID	DESCRIPTION	WEIGHT (lbs.)
760028209	MODULAR ADAPTER PANEL, 24LC	0.1

NOTES:

1. SEE SYSTIMAX CATALOG FOR PART NUMBER SUFFIXES TO INDICATE COLOR/PKG.
2. SEE SYSTIMAX CATALOG FOR COMPLETE LIST OF PARTS RELATED TO THE USE OF THIS PRODUCT.
3. DIMENSIONS IN PARENTHESES ARE IN METRIC.
4. PART INCLUDES:
 (1) PANEL
 (12) LC DUPLEX ADAPTERS



PANEL, MODULAR, 24LC AQUA MM

COMMScope, INC HICKORY, NORTH CAROLINA

SYSTIMAX® SOLUTIONS

REV	DATE	ECR	DESCRIPTION	BY
1	3/18/09		INITIAL ISSUE	AF

DRAWN BY SEW		DWG NO. 760028209
DATE 3/18/09		