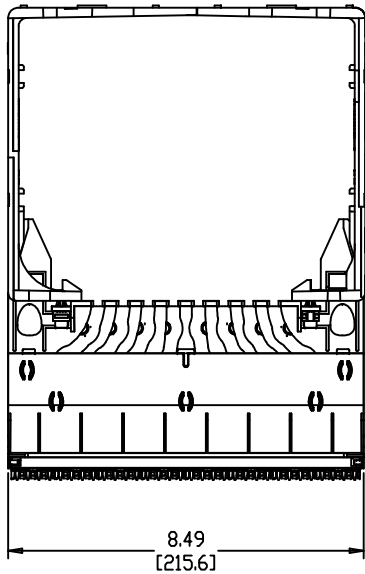
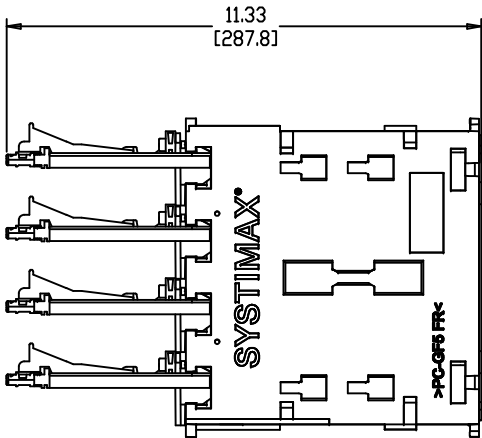
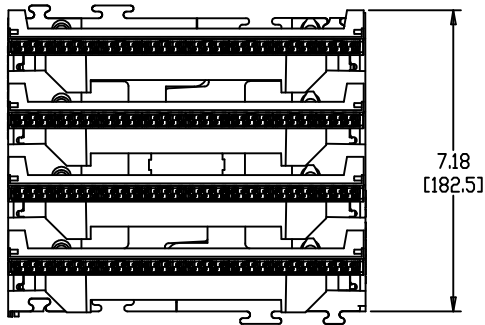


MATERIAL ID	DESCRIPTION
760049445	VisiPatch 360 4U PATCH PANEL KIT



NOTES:

- SEE SYSTIMAX CATALOG FOR PART NUMBER SUFFIXES TO INDICATE COLOR/PKG.
- SEE SYSTIMAX CATALOG FOR COMPLETE LIST OF PARTS RELATED TO THE USE OF THIS PRODUCT.
- DIMENSIONS IN PARENTHESSES ARE IN METRIC.
- PART INCLUDES:
 (4) WIRING BLOCK, VP360
 (4) INDEX STRIP, VP360
 (4) COVER, VP360 WIRING BLOCK
 (2) BACK PANEL, VP360 128 PAIR
 (8) 1/4 TURN CAM, VP360 WIRING BLOCK
 (32) ASSEMBLY, VP360 X 10D 4 PARI CONNECTING BLOCK



VisiPatch 360 PANEL KITS	
COMMSCOPE, INC OF NORTH CAROLINA	
SYSTIMAX® SOLUTIONS	

REV	DATE	ECR	DESCRIPTION	APPROVED BY	DATE	DWG NO
1	05/12/10		INITIAL ISSUE			
					05/12/2010	760049445