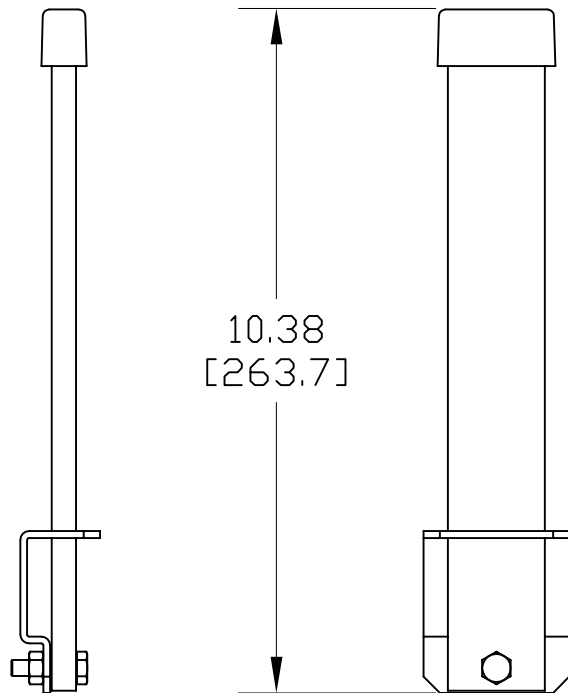


| MATERIAL ID | DESCRIPTION                   | WEIGHT (lbs.) |
|-------------|-------------------------------|---------------|
| 760083980   | CABLE RETAINING POST, 8" HIGH | 3.0           |

NOTES:

- SEE COMMSCOPE CATALOG FOR PART NUMBER SUFFIXES TO INDICATE COLOR/PKG.
- SEE COMMSCOPE CATALOG FOR COMPLETE LIST OF PARTS RELATED TO THE USE OF THIS PRODUCT.
- DIMENSIONS IN PARENTHESES ARE IN METRIC.
- PART INCLUDES:  
 (1) RAIL: 3/8" X 1-1/2" X 16 GA.  
 (1) BRACKET: 12 GA.  
 (1) CAP  
 (1) BOLT AND NUT



|  |                   |
|--|-------------------|
| CRRP-10H                               |                   |
| COMMSCOPE, INC HICKORY, NORTH CAROLINA |                   |
|  |                   |
| DRAWN BY<br>SEW                        | DWG NO. 760083980 |
| DATE 2/1/08                            |                   |

| REV | DATE   | ECR | DESCRIPTION   | BY  |
|-----|--------|-----|---------------|-----|
| 1   | 2/1/08 |     | INITIAL ISSUE | TWL |