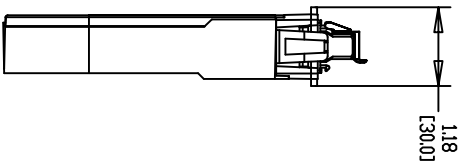
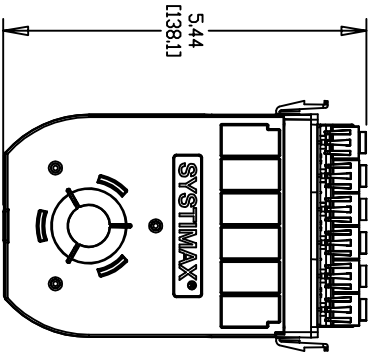
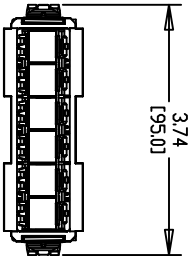


MATERIAL	DESCRIPTION	WEIGHT (lbs)
760109561	360G2 CARTRIDGE, SC TerosPEED, BLUE WITH Pigtails B	1.2



NOTES:

1. SEE SYSTEMAX CATALOG FOR PART NUMBER SUFFIXES TO INDICATE COLOR/PKG.
2. SEE SYSTEMAX CATALOG FOR COMPLETE LIST OF PARTS RELATED TO THE USE OF THIS PRODUCT.
3. DIMENSIONS IN PARENTHESSES ARE IN METRIC.
4. PART INCLUDES:
  - (1) CABLE REAR TRAY
  - (1) COVER
  - (1) BEZEL
  - (1) ADAPTER

360G2 CARTRIDGE 6-SC-SM-BL-Pigtails B  
 COMMScope, INC OF NORTH CAROLINA  
 SYSTEMAX® SOLUTIONS

REV	DATE	ECR	DESCRIPTION	BY	DATE	DWG NO
1	8/04/09		INITIAL ISSUE	AF	8/04/09	760109561

© 2008CommScope, Inc. All Rights Reserved