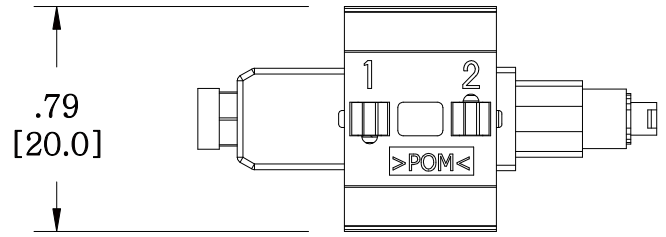
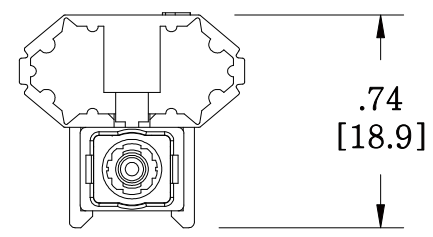
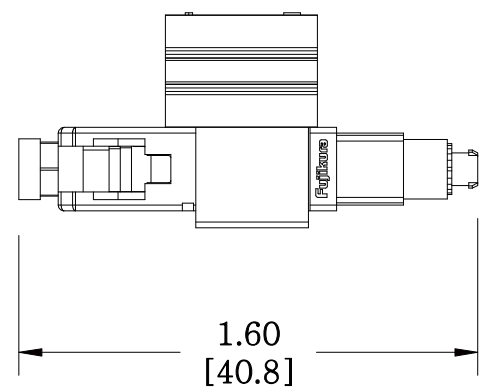


MATERIAL ID	DESCRIPTION
760117978	LazrSPEED® FIBER QWIK II-SC CONNECTOR™, FIELD INSTALLABLE, AQUA, 25 PACK



NOTES:

1. SEE COMMSCOPE CATALOG FOR PART NUMBER SUFFIXES TO INDICATE COLOR/PKG.
2. SEE COMMSCOPE CATALOG FOR COMPLETE LIST OF PARTS RELATED TO THE USE OF THIS PRODUCT.
3. DIMENSIONS IN PARENTHESES ARE IN METRIC.
4. PART INCLUDES:
 (25) COVER, PROTECTIVE, FERRULE, BLACK
 (25) TUBING, HYTREL, 250um BUILD UP
 (25) BOOT, STRAIN RELIEF BLACK, 900um
 (25) CONNECTOR ASSEMBLY, 50/125um MM, AQUA



MFC-SCF-09-5X-25

COMMSCOPE, INC OF NORTH CAROLINA

1	10/10/12		INITIAL ISSUE		DRAWN BY	TZ	
REV	DATE	ECR	DESCRIPTION	APPROVED BY	DATE	10/10/2012	DWG NO 760117978