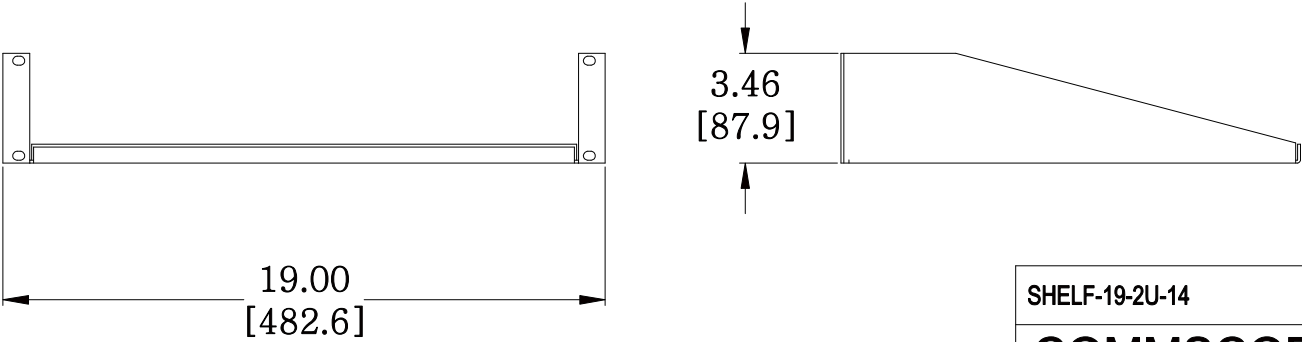
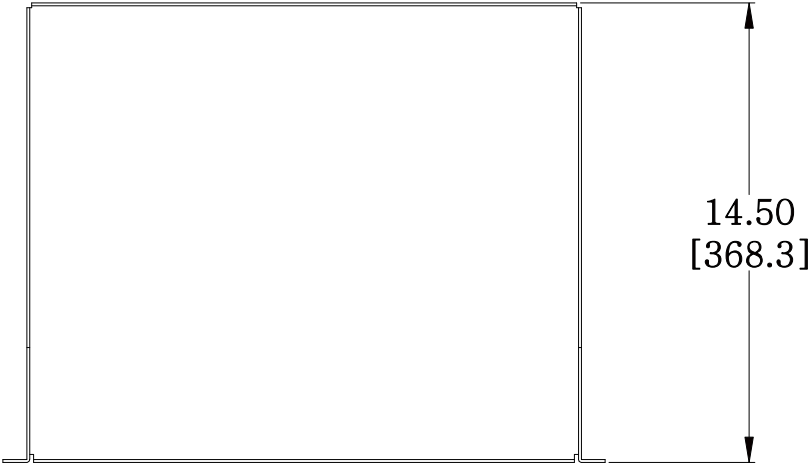


| MATERIAL ID | DESCRIPTION |
|-------------|--|
| 760162016 | SHELF, CANTILEVER, 19" X 2U X 14D, 100#, STL |



NOTES:

1. SEE COMMSCOPE CATALOG FOR PART NUMBER SUFFIXES TO INDICATE COLOR/PKG.
2. SEE COMMSCOPE CATALOG FOR COMPLETE LIST OF PARTS RELATED TO THE USE OF THIS PRODUCT.
3. DIMENSIONS IN PARENTHESES ARE IN METRIC.
4. PART INCLUDES:
 (1) SHELF, CANTILEVER, 19" X 2U X 14D, 100#, STL
 (4) #12-24 PANEL MOUNT SCREW

SHELF-19-2U-14

COMMSCOPE, INC OF NORTH CAROLINA

| | | | | | | |
|-----|---------|-----|---------------|-------------|-------------------|---------------------|
| 1 | 7/18/11 | | INITIAL ISSUE | PD | DRAWN BY DJ | |
| REV | DATE | ECR | DESCRIPTION | APPROVED BY | DATE 7/18/2011 | DWG NO 760162016 |