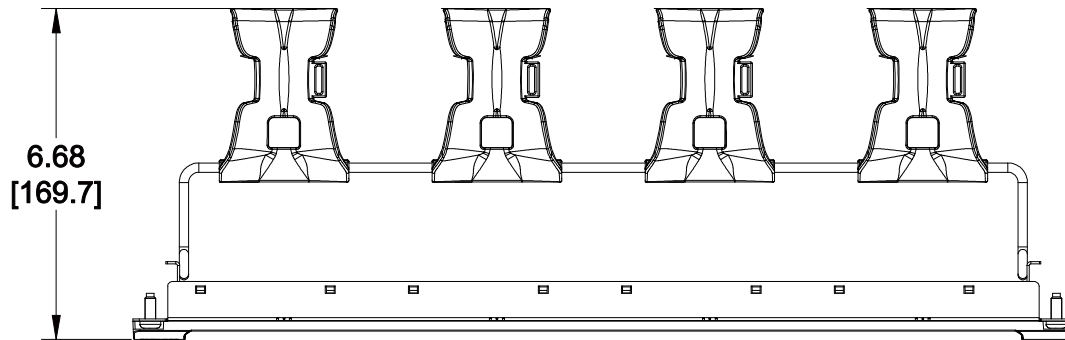
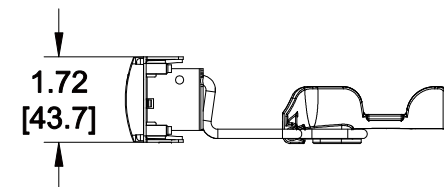
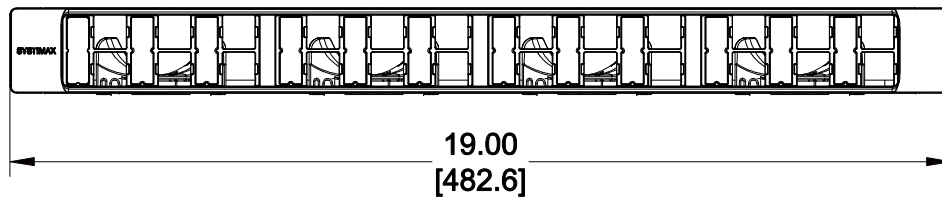


MATERIAL ID	DESCRIPTION
760187187	360 EVOLVE 1U 24 PORT MODULAR PANEL



**NOTES:**

1. SEE SYSTIMAX CATALOG FOR PART NUMBER SUFFIXES TO INDICATE COLOR/PKG.
2. SEE SYSTIMAX CATALOG FOR COMPLETE LIST OF PARTS RELATED TO THE USE OF THIS PRODUCT.
3. DIMENSIONS ARE IN INCHES[MM].
4. PART INCLUDES:
  - (1) FRAME, 360 EVOLVE 1U
  - (1) 360 FACE, GENEVA FLAT 1U
  - (4) 6-PORT BEZEL, 360 EVOLVE M\_SERIES
  - (4) TROUGH, 360 CABLE MANAGEMENT
  - (4) STRAP, REAR CABLE MANAGEMENT (BAG OF 4)
  - (1) BAR, 360 REAR CABLE MGMT - B
  - (4) SCREW, PAN COMBO HD. 12-24 X 1/2, BLACK ZINKLAD
  - (1) STRIP, 360 EVOLVE M\_SERIES LABEL
  - (1) STRIP, 360 EVOLVE M\_SERIES LABEL RETAINER



360-E-MOD-1U-24	
<b>COMMSCOPE, INC</b> OF NORTH CAROLINA	
SYSTIMAX® SOLUTIONS	
DRAWN BY TZ	
DATE 9/10/2013	DWG NO 760187187

REV	DATE	ECR	DESCRIPTION	APPROVED BY
1	9/10/13		INITIAL ISSUE	CZ