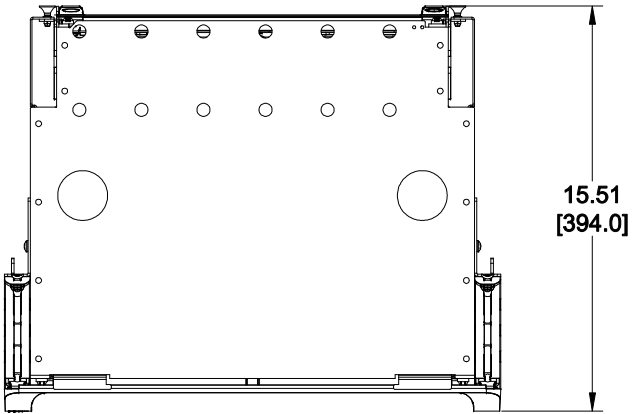
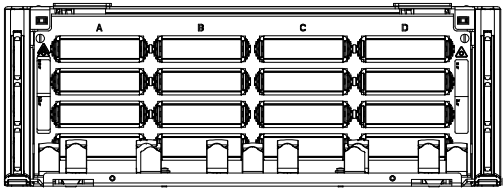
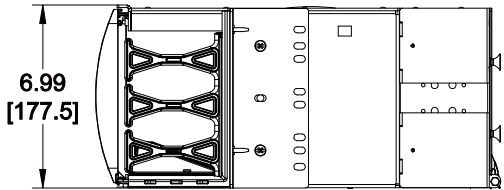
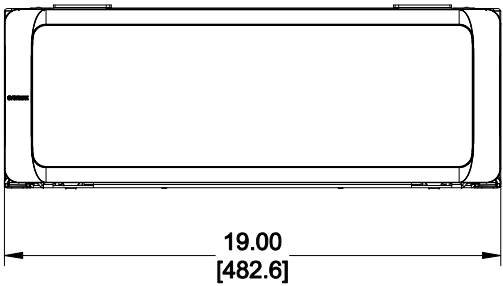


MATERIAL ID	DESCRIPTION
760193888	SYSTIMAX 360G2 4U FIXED MODULAR CASSETTE 16 SLOT SHELF



- NOTES:
- SEE SYSTIMAX CATALOG FOR PART NUMBER SUFFIXES TO INDICATE COLOR/PKG.
 - SEE SYSTIMAX CATALOG FOR COMPLETE LIST OF PARTS RELATED TO THE USE OF THIS PRODUCT.
 - DIMENSIONS ARE IN INCHES[MM].
 - PART INCLUDES:
 - (1) FRONT DOOR ASSEMBLY
 - (1) FIXED 16 SLOT SHELF ASSEMBLY
 - (1) LABEL FLIP



WITHOUT FRONT DOOR

360G2-4U-MOD-FX-16	
COMMSCOPE, INC OF NORTH CAROLINA	
SYSTIMAX® SOLUTIONS	
DRAWN BY TZ	
DATE 03/27/2014	DWG NO 760193888

REV	DATE	ECR	DESCRIPTION	APPROVED BY
1	03/27/14		INITIAL ISSUE	GR