

Power Supply Specifications for imVision® Products

General

Specifications below describe a power supply that meets typical requirements for **CommScope's® imVision®** controller and **imPower™** power extender products.

See Recommended Source, below.

Please download the **SYSTIMAX® imVision** Controller Installation instruction, 860526839; or **imVision imPower** Power Extender Installation instruction, 860610260, for product details.

Recommended Source

Recommended power supply for **imVision®** controller and **imPower™** power extender, (Argentina version) is

Globtek : model # GT-41060-2512,
 part no. WR9QE2080LR9P-NK7REB

Electrical Specifications

Output Watts:

25.0 W (minimum)

Output Volts:

12 VDC

Output Current:

2.08 A (minimum)

Output Connector:

Female barrel 5.5mm x 2.5mm x 9.5mm

Connector Pinout:

Center positive

Output Regulation:

+/- 5% measured at the output connector

Line Voltage Regulation:

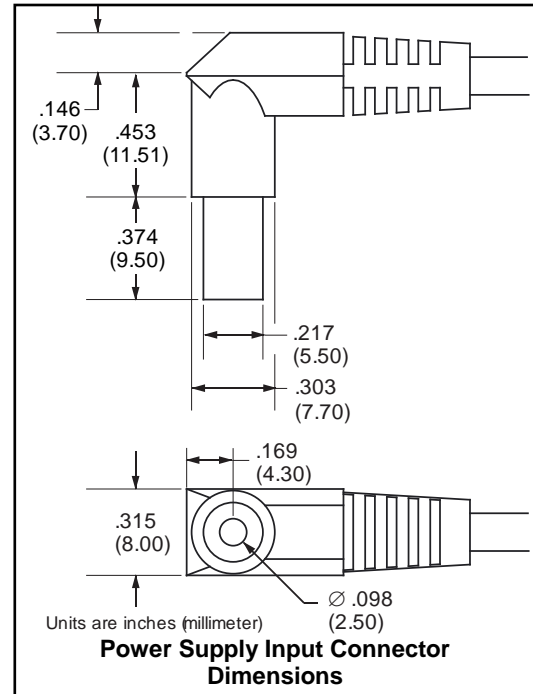
+/- 1% maximum at full load

Output Ripple (Vp-p):

1% or 150 mV – whichever is greater measured at 20 MHz bandwidth with 0.1µf ceramic capacitor in parallel with 10µf electrolytic capacitor connected at the end of output connector at nominal line.

Turn-On/Turn-Off Overshoot:

5% maximum, 500µS maximum recovery time for 25% to 50% step load



Protection Specifications

Over-Voltage:

Protected, unit will recover upon removal of fault

Over-Load:

Protected, unit will recover upon removal of fault

Short Circuit:

Protected, unit will recover upon removal of fault

Input Protection:

Input line fusing

Note: The power supply must adhere to the standards for a Class 2 power supply as dictated by UL in UL1310.