

860365915
 Issue 5, January 2015
 www.commscope.com

Ruggedized Ethernet Connector Kit

General

The ruggedized ethernet connector kit includes one receptacle housing, panel nut, and O-ring. **Outlet is not included in the kit.** The MIR-CAP dust cap kit is available for use with this connector and includes a flat washer, dust cap, and dust cap retainer ring with captive chain. These instructions include the dust cap kit components.

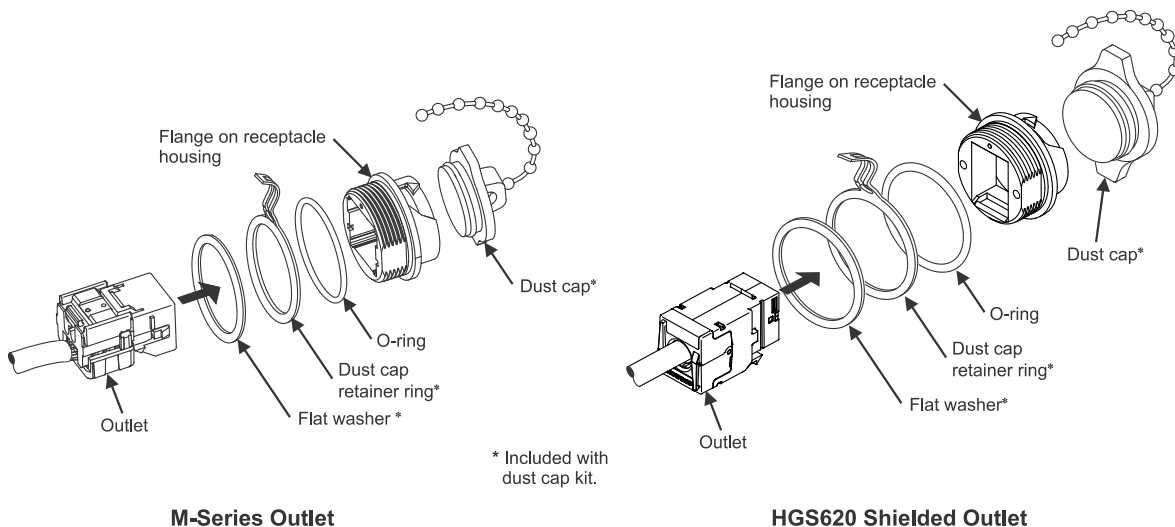
Ordering information is listed below:

Material ID	Part No.	Description
760042960	MIR-RJ45	Ruggedized ethernet connector kit for M-series outlets
760186098	KIR-FTP	Ruggedized ethernet connector kit for HGS620 outlets
760042978	MIR-CAP	Dust cap kit

How to Contact Us

- To find out more about **CommScope®** products, visit us on the web at www.commscope.com/
- For technical assistance:
 - Within the United States, contact your local account representative or technical support at 1-800-344-0223. Outside the United States, contact your local account representative or **PartnerPRO™** Network Partner.
 - Within the United States, report any missing/damaged parts or any other issues to **CommScope** Customer Claims at 1-866-539-2795 or email to claims@commscope.com. Outside the United States, contact your local account representative or **PartnerPRO** Network Partner.

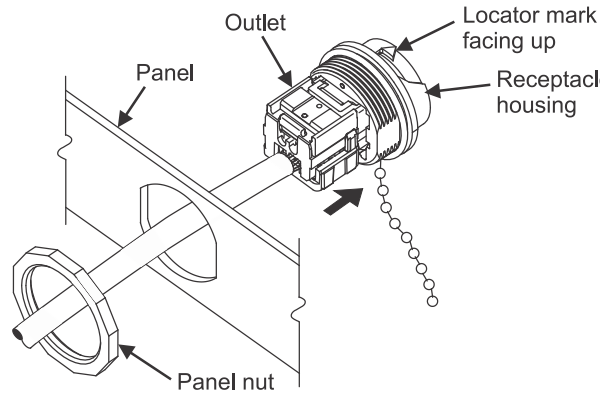
Assembly Instructions



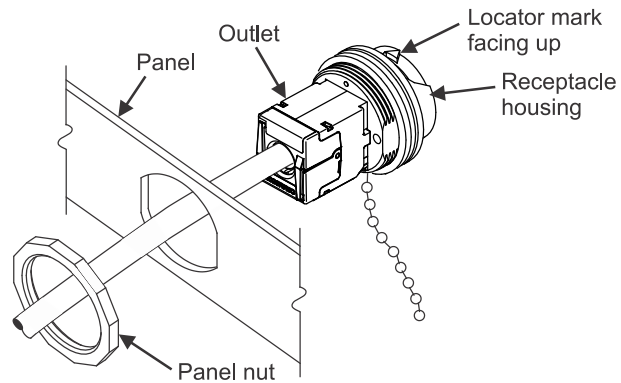
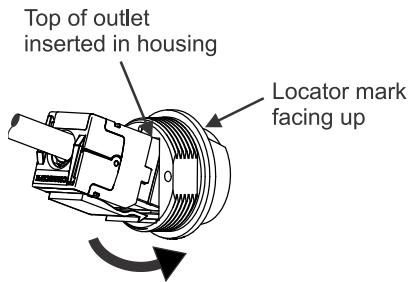
1. Wire outlet per instructions included with outlet.
2. Seat O-ring on receptacle housing by sliding it over threaded section until it contacts flange.
3. Seat dust cap retaining ring against O-ring.
4. Seat flat washer against dust cap retainer ring.
5. Slide panel nut over outlet and cable before proceeding to next step.

For M-Series Outlet

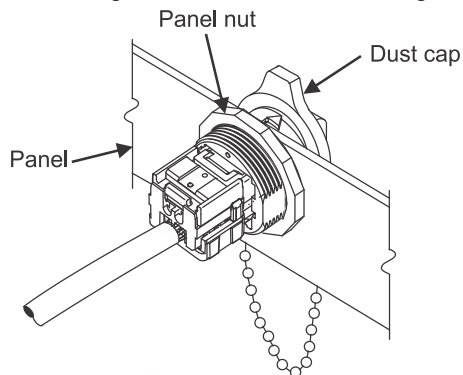
6a. Orient receptacle housing so that locator mark is facing up, align outlet as shown, and slide outlet into receptacle housing until it latches.



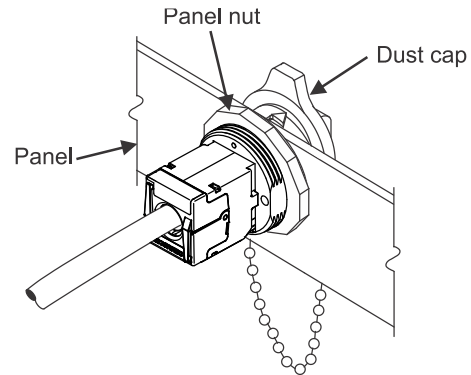
For HGS620 Shielded Outlet



6b. Orient receptacle housing so that locator mark is facing up, align outlet as shown, and insert top of outlet into receptacle housing. Pivot outlet into housing until it latches.



M-Series Outlet



HGS620 Shielded Outlet

7. Insert outlet assembly into panel opening and thread on mounting nut. Tighten panel nut to approximately 20 in-lbs. (2.26Nm). See figure above.
8. Place dust cap on assembled connector until outlet is utilized.