

M81-S35MM-S35MM 3.5mm Stereo Pass-Through Connector

General

The **CommScope®** M81-S35MM-S35MM 3.5mm stereo pass-through connector provides a stereo connection point (both right and left channels) for audio applications. This connector is for isolated, low power, signal transfers only and is not intended for connection to the telecommunication network.

The connector includes four color-coded plastic adapters (white, ivory, prowhite, and black) and is compatible with the **CommScope** modular faceplates and modular furniture faceplates.

Ordering information is listed below:

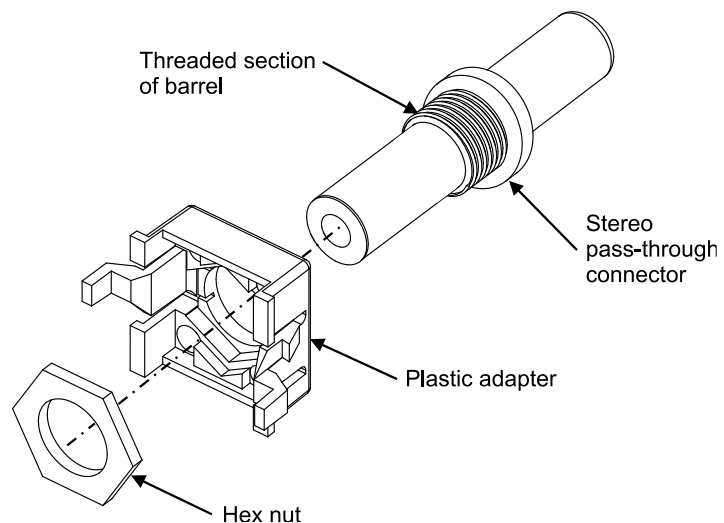
Material ID	Part No.	Description
760101006	M81-S35MM-S35MM	3.5mm stereo pass-through connector

How to Contact Us

- To find out more about **CommScope®** products, visit us on the web at www.commscope.com/
- For technical assistance:
 - Within the United States, contact your local account representative or technical support at 1-800-344-0223. Outside the United States, contact your local account representative or **PartnerPRO™** Network Partner.
 - Within the United States, report any missing/damaged parts or any other issues to **CommScope** Customer Claims at 1-866-539-2795 or email to claims@commscope.com. Outside the United States, contact your local account representative or **PartnerPRO** Network Partner.

Step 1 – Assemble Stereo Pass-Through Connector to Adapter

1. Insert stereo pass-through connector into one of the adapters with threaded section of barrel facing front of adapter as shown.
2. Secure with hex nut (provided). Hex nut fits into recess provided in adapter.



Step 2 – Snap Adapter into Outlet

1. Snap adapter into faceplate, multi-media panel, consolidation point, or any other product designed for use with modular outlets.