

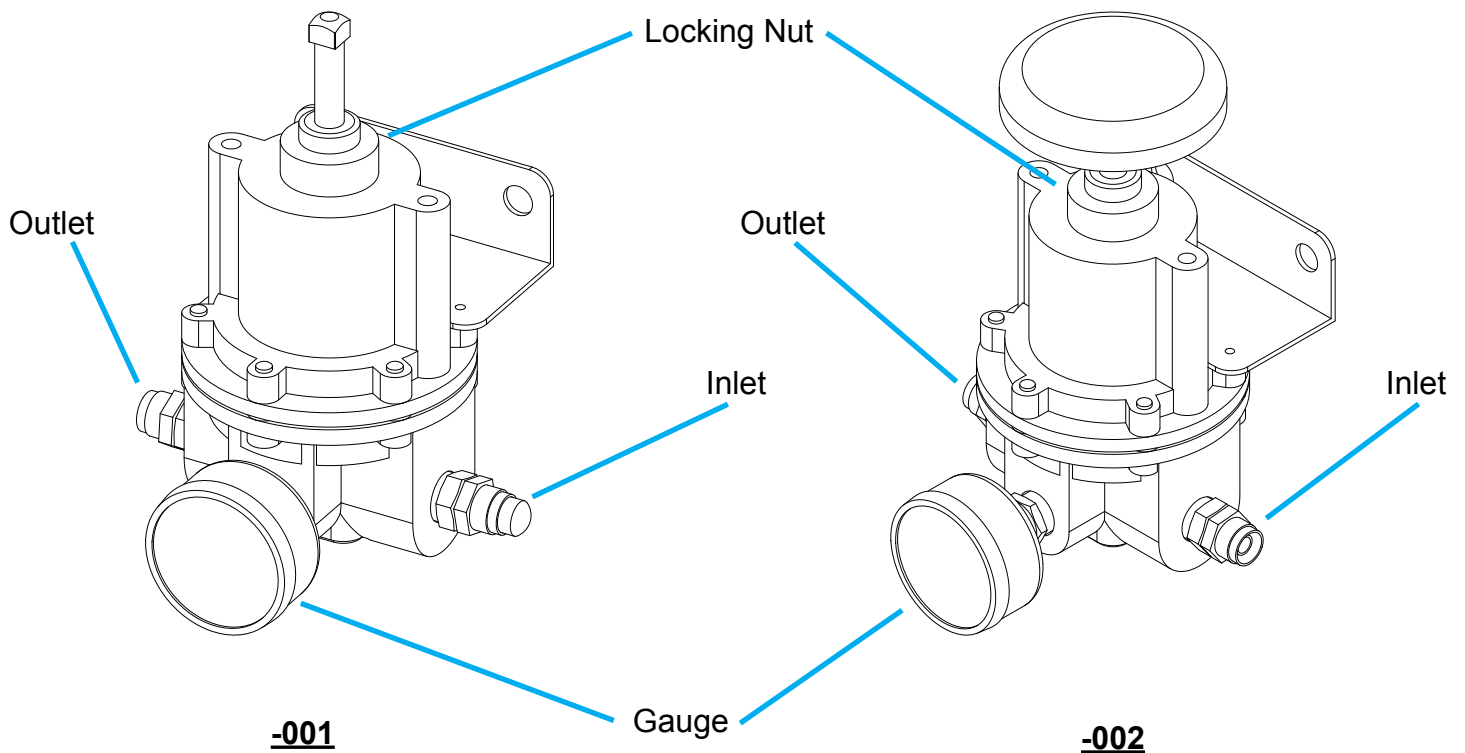
Installation Instructions

AE01A-D1339 Wall Mount Regulating Assembly

COMMSCOPE®

Instructions for use of CommScope Regulator Type AE01A-D1339:

1. Remove Regulator from packaging, observing input and output arrows on bottom of regulator.
2. Attach Regulator to wall.
3. Using tubing provided, connect tubing from output of dehydrator to input of Regulator.
4. Again using tubing provided, connect output of regulator to transmission line input.
5. Set regulator to desired pressure by turning the regulator adjustment Shaft (or knob) on top of the regulator observing pressure on the gauge.
6. Once desired pressure is reached, tighten locking nut on regulator adjustment screw to secure setting.



COMMSCOPE®

**Customer Support Center
From North America**
Telephone: 1-800-255-1479
Fax (U.S.A.): 1-800-349-5444

International
Telephone: +1-779-435-6500
Fax Number: +1-779-435-8579

Web Access
Internet: www.commscope.com
Email: #mws@commscope.com

All designs, specifications and availability of products and services presented in this bulletin are subject to change without notice.

Bulletin AE01B-A0482-001 Rev A (05/11) © 2001 - 2011 CommScope, Inc. All rights reserved
CommScope, 3 Westbrook Corporate Center, Suite 900 Westchester, IL 60154 USA