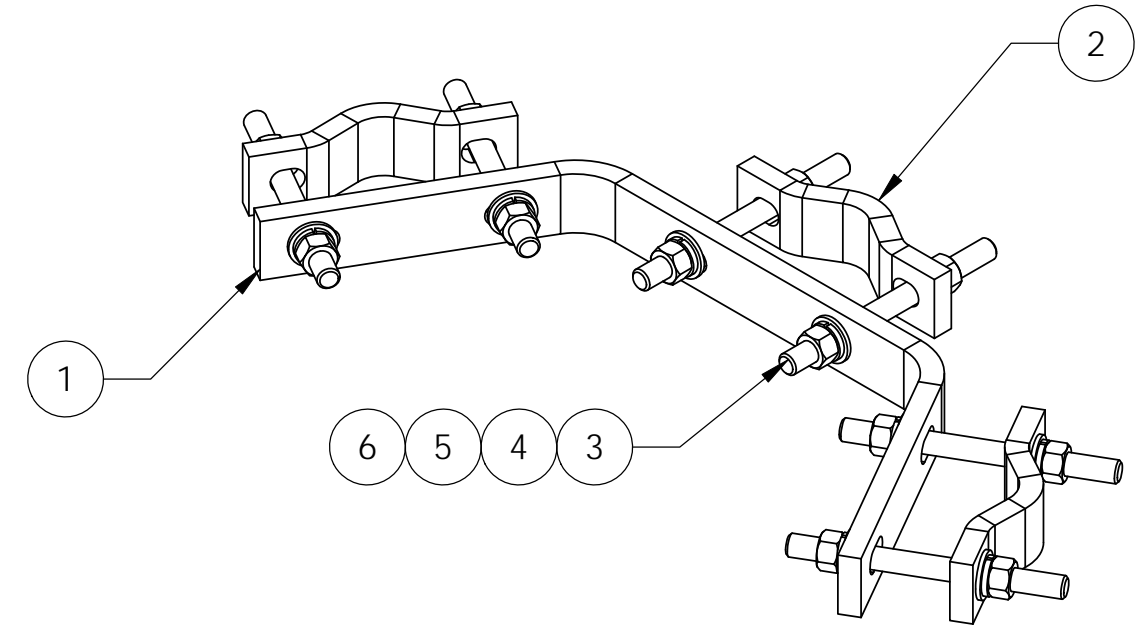
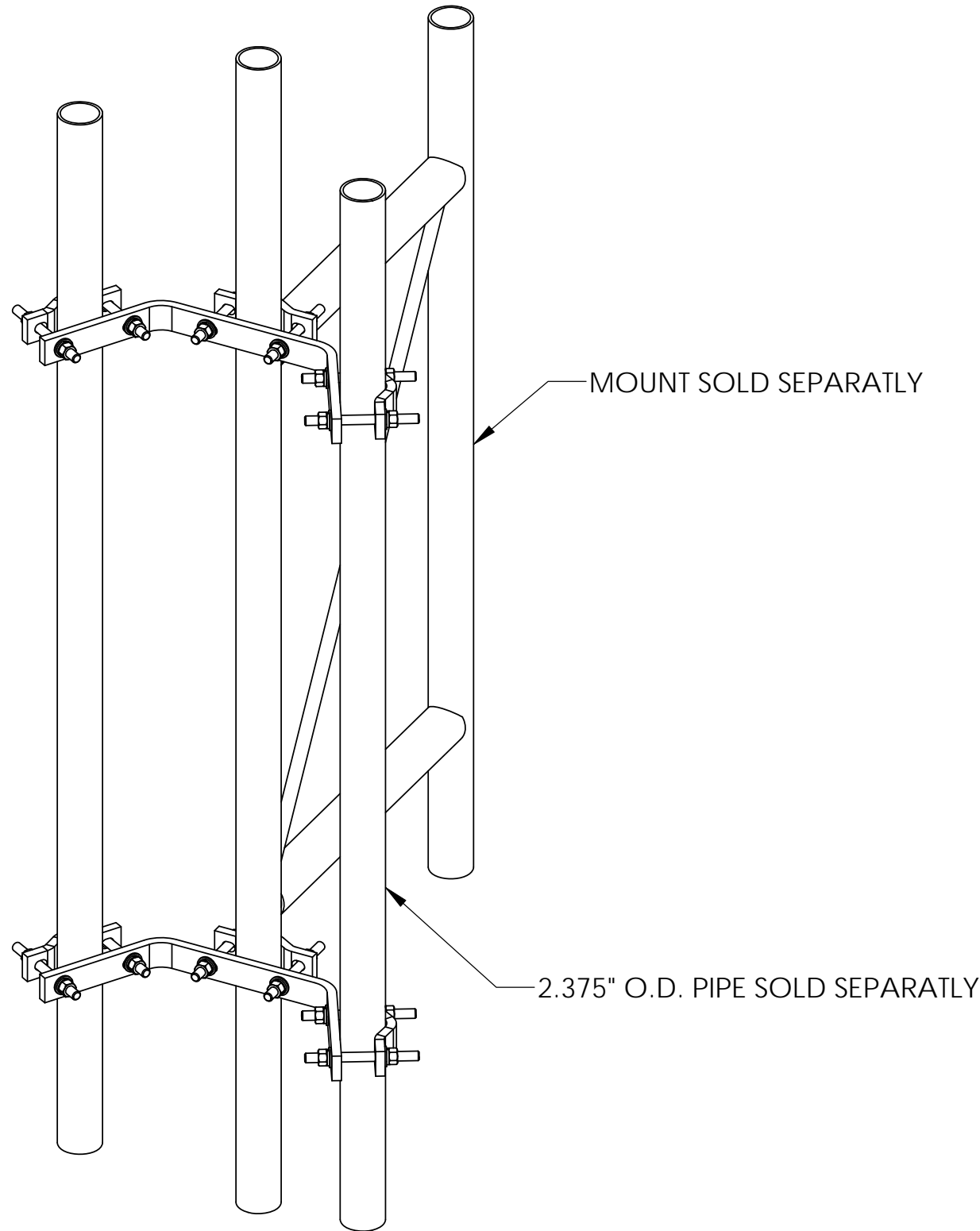



ITEM	PART NO.	DESCRIPTION	QTY.	WEIGHT
1	DAC2	DOUBLE ANTENNA CLAMP	2	4.75 LBS
2	SCP10	SMALL DISH CLAMP HALF	6	1.20 LBS
3	MT-379-6	1/2" X 6" GALV THREADED ROD	12	0.33 LBS
4	GWF-04	1/2" GALV FLAT WASHER	24	0.03 LBS
5	GWL-04	1/2" GALV LOCK WASHER	24	0.00 LBS
6	GN-04	1/2" GALV HEX NUT	24	0.04 LBS

REVISIONS				
REV.	ZONE	DESCRIPTION	BY	DATE
A		INITIAL RELEASE	MLL	01/12/00
B		REVISED AND REDRAWN	LAP	04/01/01
C		PRODUCT REDESIGN	AW	12/05/06
D		CHANGED HARDWARE	AW	12/11/06
E		DELETE U-BOLTS ADD SPC10	MSM	11/18/09



<small>These drawings and specifications are the proprietary property of ANDREW CORPORATION and may be used only for the specific purpose authorized in writing by Andrew Corporation.</small> <small>ALL DIMENSIONS ARE IN INCHES U.O.S. TOLERANCES UNLESS OTHERWISE SPECIFIED:</small> .X = ± .12 ANGLES ± 2' .XX = ± .06 FRACTIONS ± 1/32 .XXX = ± .03 <small>REMOVE BURRS AND BREAK EDGES .005</small> DO NOT SCALE THIS PRINT	<small>DRAWN BY:</small> AW	<small>SHEET:</small> 1 of 1	<small>PART NUMBER:</small> DA-C200
	<small>CHECKED BY:</small> TP	<small>SCALE:</small> NTS	<small>DESCRIPTION:</small> DOUBLE ANTENNA CLAMP
	<small>DATE:</small> 12/05/06	<small>MATERIAL:</small> A36	<small>DRAWING TYPE:</small> ASSEMBLY DRAWING
	<small>REVISION:</small> E	<small>FINISH:</small> GALV A123	 ORLAND PARK, IL. 60462 U.S.A.
<small>WEIGHT:</small> 22.44 LBS			